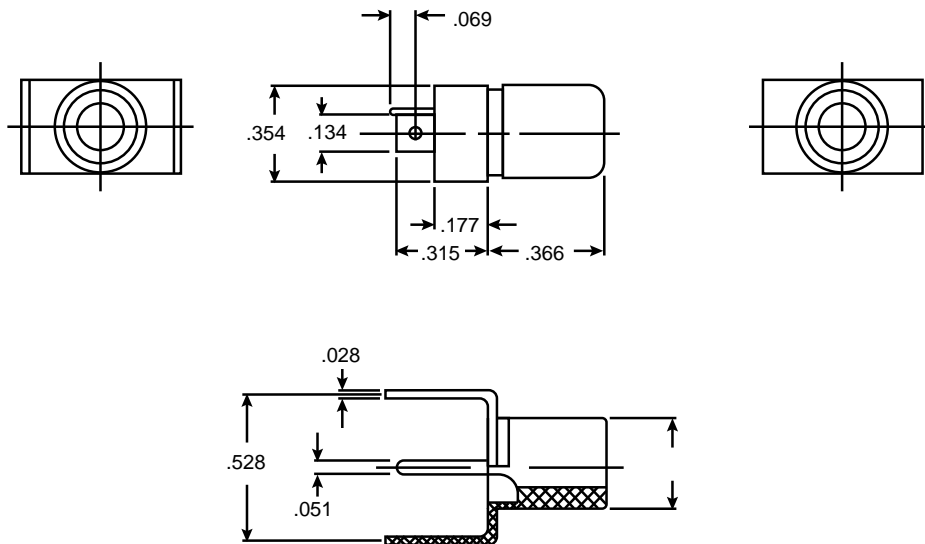


### Dimensions (In.)

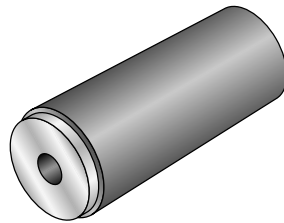


### Material Specifications:

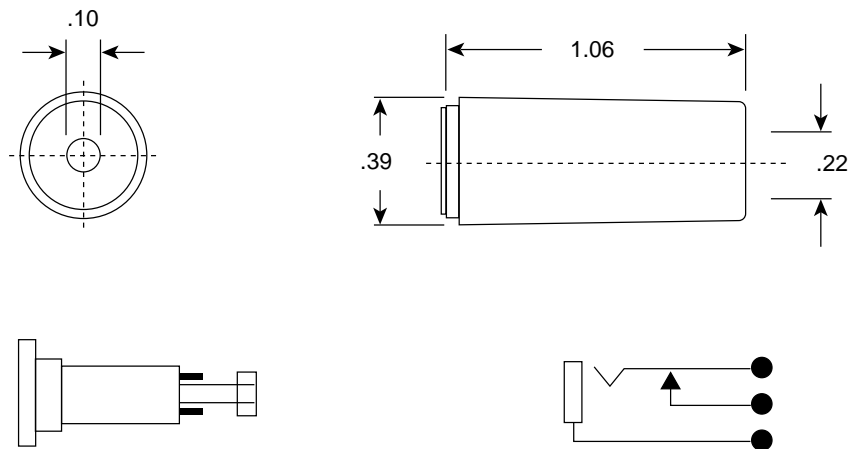
- Shell: CR steel 0.3mm thk gold flash plated with undercoat
- Center contact: spring brass or phosphor bronze gold flash plated with copper undercoat
- Insulator bushing: nylon 66+33% glass fibre or ceramic
- Insulator washer: phenolic or ABS
- Initial: insertion force using a two microinch finish polished pin  $\varnothing$ .325 dia.  $\pm$ .005 with 1.6mm end radius shall not exceed 5.45Kgs
- Contact: must maintain 0.05Kgs retention on a 3.14mm dia. gauge pin after 50 insertions of a 3.25 dia. gauge pin 10.0mm long
- Contact resistance: 20m $\Omega$  max.
- Dielectric strength: 1080Vrms for 1 minute
- Insulation resistance: 1000M $\Omega$  min. @ 250V

Your source for quality electronics. Toll-free full service

**(800) 346-6873**



**Dimensions (In.)**



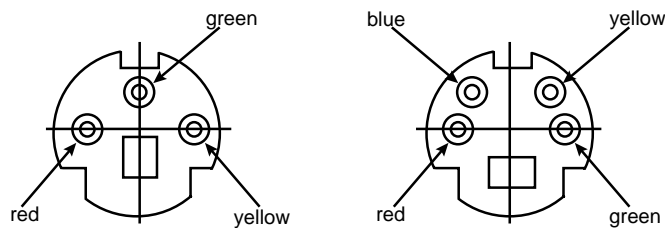
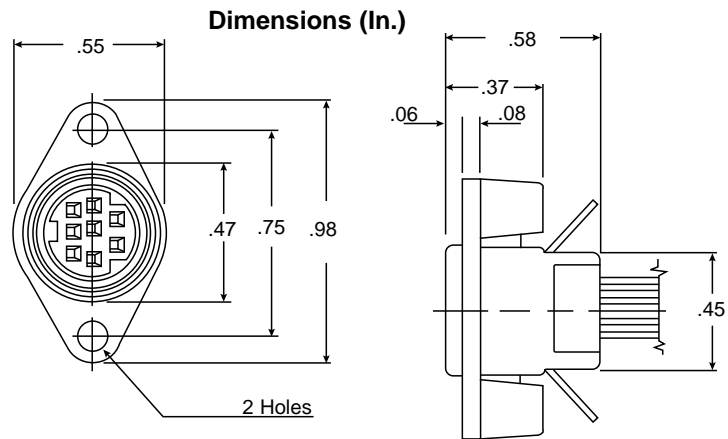
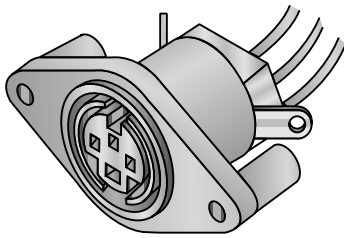
Jack body tolerance:  $\pm 0.2\text{mm}$   
Shell tolerance:  $\pm 0.5\text{mm}$

**Material Specifications:**

- Body: brass
- Insulation: ABS plastic
- Shell: bakelite

Mouser Stock No.	Description
161-3405	Black plastic handle with N/C switch and solder terminals

Your source for quality electronics. Toll-free full service  
**(800) 346-6873**



Arrangement of Contacts

No. of Contacts	3	4
Stock No.	161-2103	161-2104

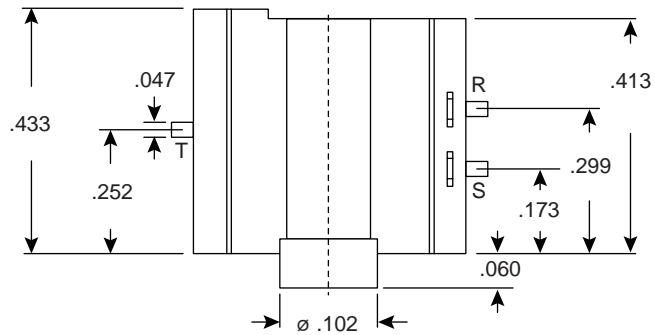
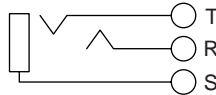
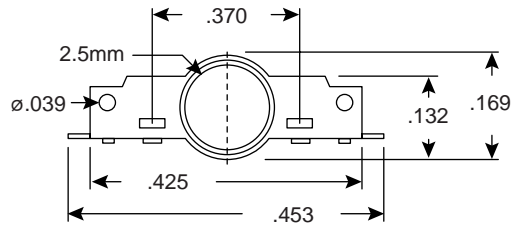
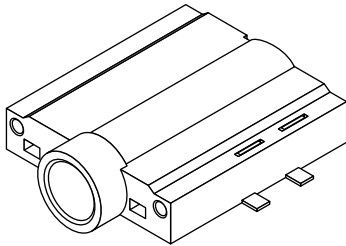
**Specifications:**

- Rating: 100VAC @ 1A max or 12VDC @ 2A max
- Insulation resistance: 50mΩ min @ 250VDC
- Dielectric strength: 250VAC for 1 minute
- Contact resistance: 30MΩ max
- Insertion force: 4.5Kg max
- Withdrawal force: 0.9Kg ~ 3 Kg
- Dimension tolerance: ± .1mm
- Mounting hole diameter: 2.2mm
- Wire gauge: 26awg
- Lead length: 200mm
- Screw size: metric m2.6 x 8mm length

Your source for quality electronics. Toll-free full service

**(800) 346-6873**

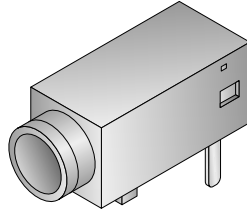
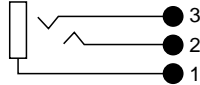
<http://www.mouser.com>



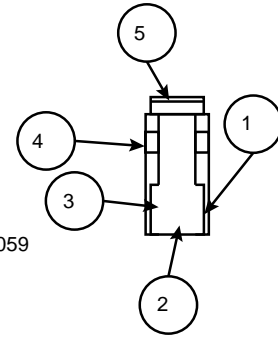
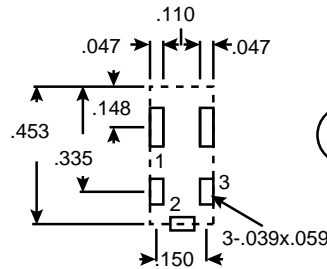
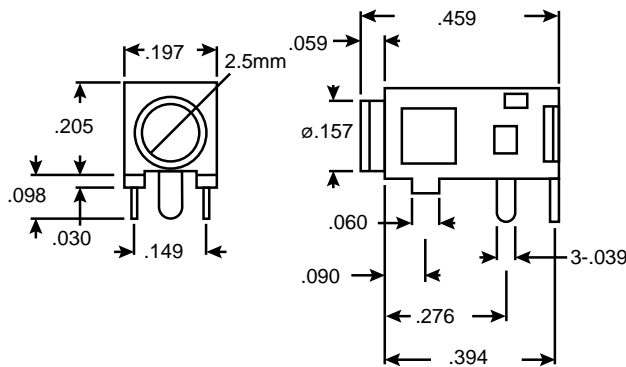
**Dimensions (In.)**  
(except where noted)

**Specifications:**

- Type: SMD, 3-conductor, surface mount
- Body: PBT plastic
- Contact: silver plated brass
- Flammability: UL94V-2
- Withstand voltage: 250VAC for 1 minute
- Insulation resistance: 50mΩ
- Contact resistance: 30mΩ
- Wave solder temperature: 213°C max. within 3 seconds
- Insertion life: 5,000 cycles @ 5N-20N force



Dimensions (In.)



**Material Specifications:**

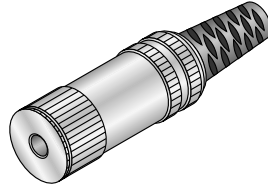
- Body: Duranex 3300
- Contact: Silver plated brass tin plated brass
- Flammability: UL94HB

**Specifications:**

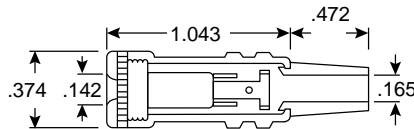
- Withstand voltage: 500VAC
- Insulation resistance: 100MΩ
- Contact resistance: 30mΩ
- Life: 5,000 cycles
- Max. wave solder temp.: 213°C within 3 seconds

1	Ground, sleeve
2	Contact, Tip
3	Contact, ring
4	Body
5	Connector, metal tip

Your source for quality electronics. Toll-free full service  
**(800) 346-6873**



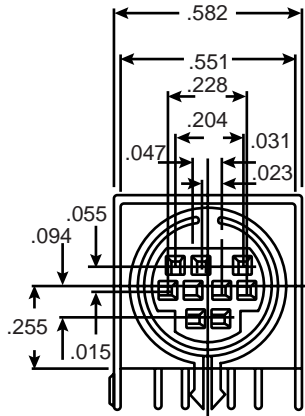
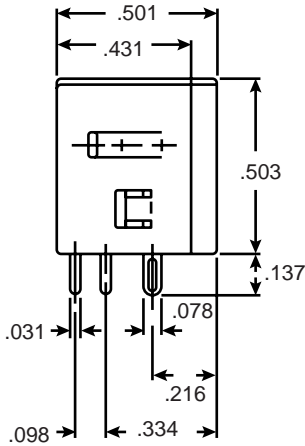
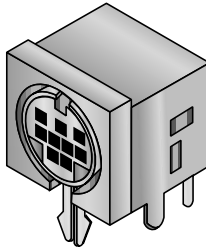
### Dimensions (In.)



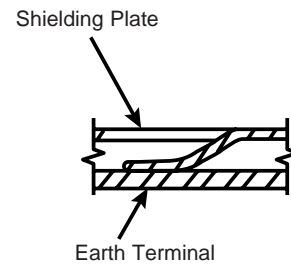
Your source for quality electronics. Toll-free full service

**(800) 346-6873**

<http://www.mouser.com>



**Dimensions (In.)**



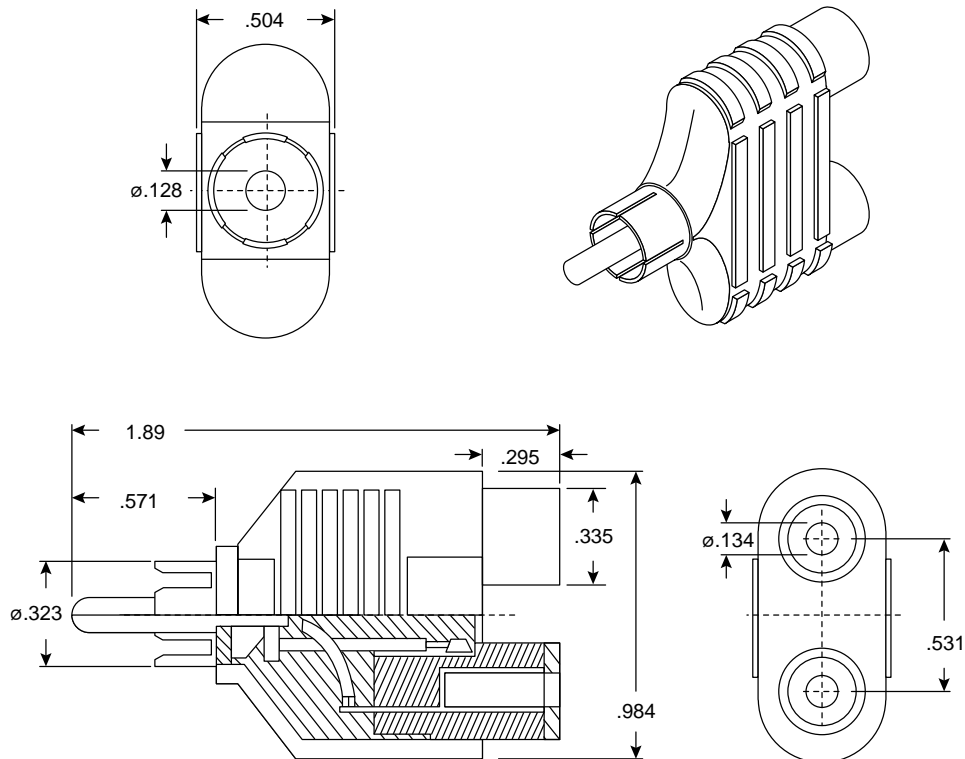
Section of shielding plate & earth terminal A-A

**Specifications:**

- Rating: 100VAC 1A max. or 1VDC 2A max.
- Insulation resistance: 50MΩ min. @ 250VDC
- Dielectric strength: 250VAC / 1 minute
- Contact resistance: 30mΩ max.
- Insertion force: 4.5Kg max.
- Withdrawal force: 0.9Kg - 3Kg

Arrangement of Contacts							
No of Contacts	3	4	5	6	7	8	9
Mouser Stock No.	161-2303	161-2304	161-2305	161-2306	161-2307	161-2308	161-2309
Hole Layout							

Your source for quality electronics. Toll-free full service  
**(800) 346-6873**



### Dimensions (In.)

#### Specifications:

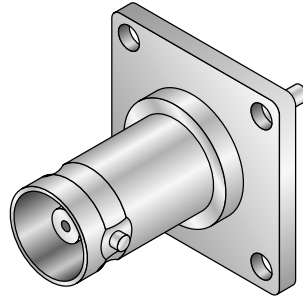
- Type: phono adaptor 1 plug to 2 jacks
- Body material: PVC plastic
- Contact material: nickel plated brass
- Insulation material: ABS plastic
- Insulation resistance:  $100M\Omega$  (min.)
- Contact resistance:  $30m\Omega$  (max.)
- Breakdown voltage: 500VAC for 1 minute

Your source for quality electronics. Toll-free full service

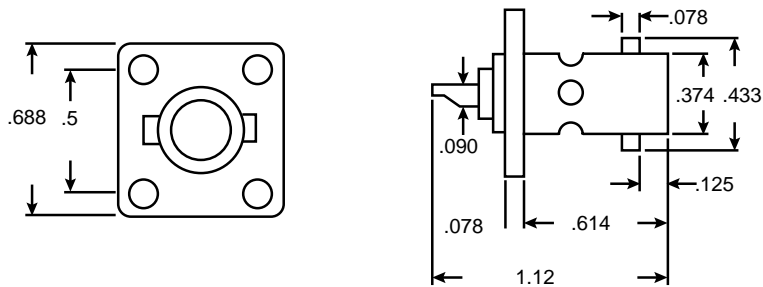
**(800) 346-6873**

<http://www.mouser.com>





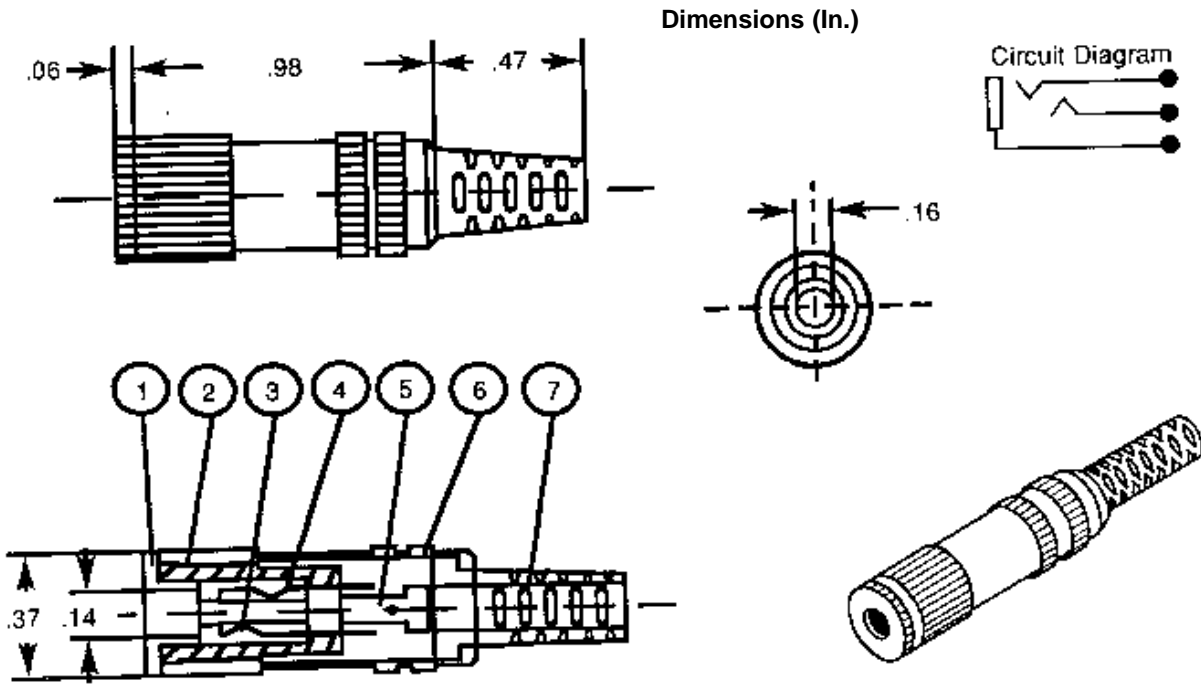
### Dimensions (In.)



### Material Specifications:

- Body: copper with nickel plated
- Pin: copper with nickel plated
- Insulation: delrin

Your source for quality electronics. Toll-free full service  
**(800) 346-6873**



**DIMENSIONS (IN.)**

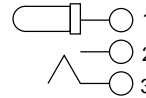
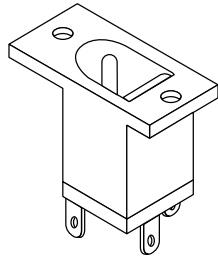
**SPECIFICATIONS:**

- Breakdown voltage: 500VAC/1 minute
- Insulation resistance: 100MΩ min. @ 500VDC
- Contact resistance: 50mΩ max.
- Materials: 1) Metal - BSBM, Ni-P
- 2) Body - PPO
- 3) Terminal - PBS-EH t=0.25, Au-P
- 4) Terminal - PBS-EH t=0.25, Ni-P
- 5) Terminal - Steel t=0.3, Ni-P
- 6) Cap - BSBM, Ni-P
- 7) Cable protector - PVC

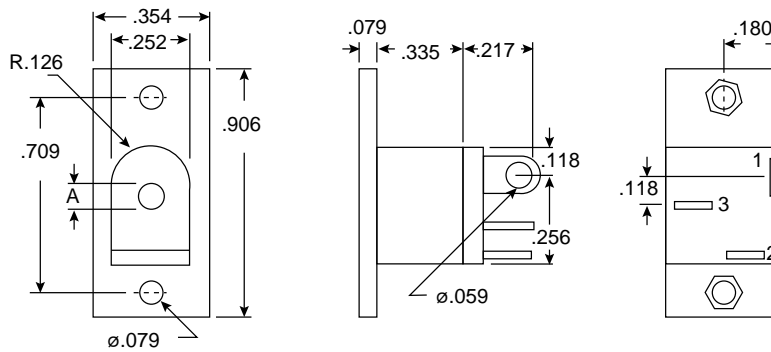
Your source for quality electronics. Toll-free full service

**(800) 346-6873**

<http://www.mouser.com>



Schematic



Dimensions (In.)

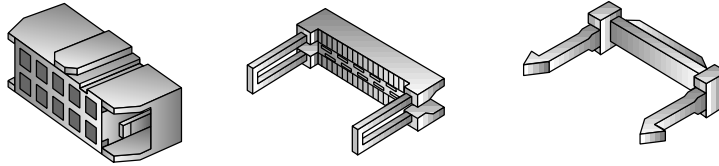
**Specifications:**

- Dielectric strength: 500VAC (min.)
- Insulation resistance: 100MΩ (min.) @ 500VDC
- Contact resistance: 30mΩ (max.)
- Voltage rating: 12VDC
- Current rating: 1A
- Maximum temperature rating: 85°C
- Reliability: 100,000 cycles
- Operating temperature: -10°C ~ +65°C
- Body: ABS plastic
- Insulator: phenolic
- Pin: nickel plated brass
- Contact, spring, & pin terminal: silver plated brass
- "A" dimension: 163-4300 = 2.0mm  
163-4301 = 2.35mm

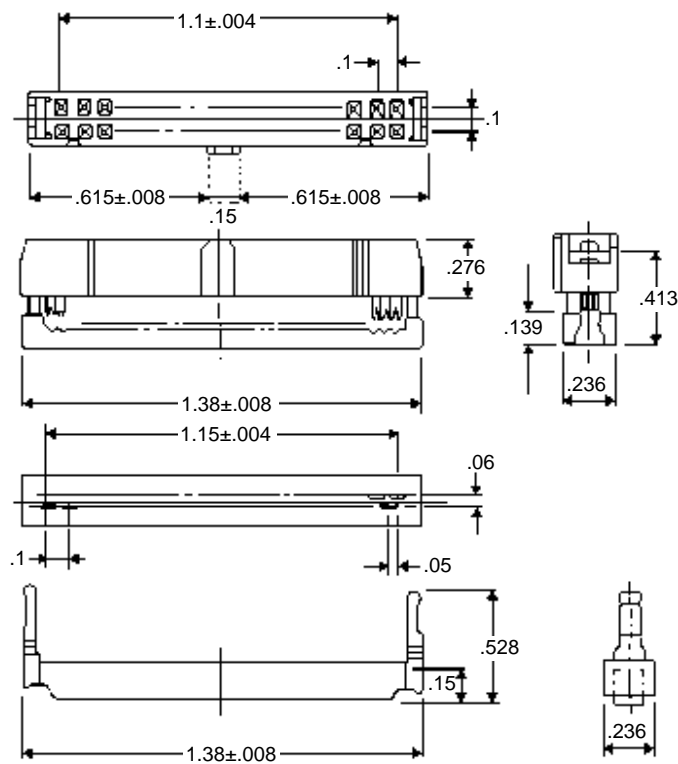
Your source for quality electronics. Toll-free full service.

**(800) 346-6873**

<http://www.mouser.com>



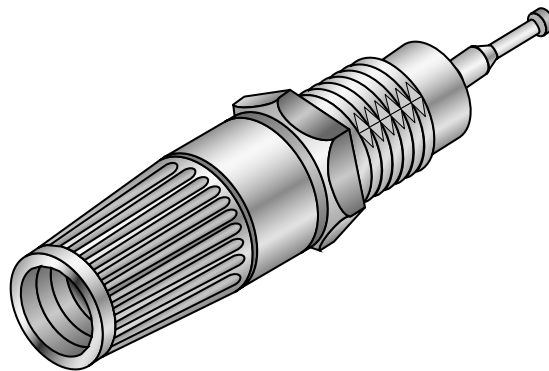
### Dimensions (In.)



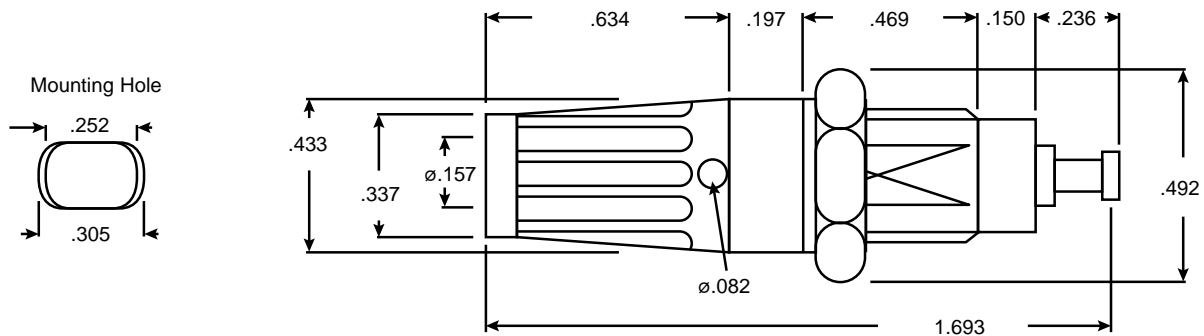
### Specifications:

- Contact: Phosphor bronze  
Gold flash over nickel
- Insulator: PBT & glass-fiber reinforced UL94V-0
- Current rating: 1 Amp DC
- Contact resistance: 30MΩ min. @ 500VDC
- Insulation resistance: 1000MΩ min. @ 500VDC
- Dielectric withstanding voltage: 500VAC for 1 minute
- Wire size, flat cable for 1 DC: 0.050" spacing AWG #28 (stranded)  
or #30 AWG (solid)

Your source for quality electronics. Toll-free full service  
**(800) 346-6873**



Dimensions (In.)

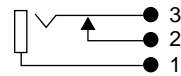
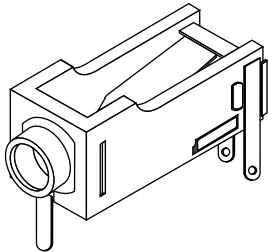


**Specifications:**

- Current rating: 10A @ 125V
- Contact material: nickel plated brass
- Housing: 94V-0 nylon
- Tolerance:  $\pm .004$

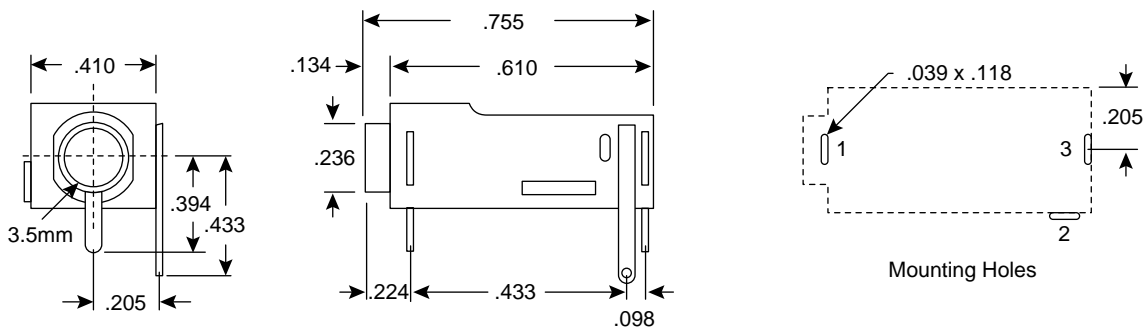
Mouser Stock No.	Color	Rated	
		(V)	(A)
164-3201	Black	125	10
164-3205	Red	125	10

Your source for quality electronics. Toll-free full service  
**(800) 346-6873**



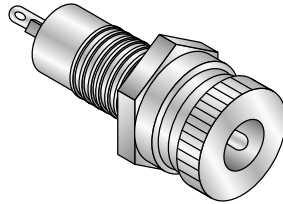
Circuit Diagram

**Dimensions (In.)**  
(except where noted)

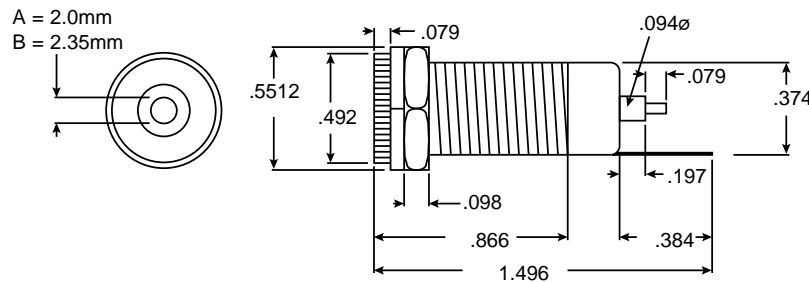


**Specifications:**

- Type: Hi-Rel with N/C switch
- Mounting: PCB
- Withstand voltage: 500VAC @ 1A min.
- Contact resistance: 30mΩ max.
- Insulation resistance: 40mΩ min.
- Reliability: 5,000 insertions
- Bushings: nickel plated brass (unthreaded)
- Housing: polycarbonate
- Terminals: silver plated brass
- Spacer: ABS



Dimensions (In.)



**Material Specifications:**

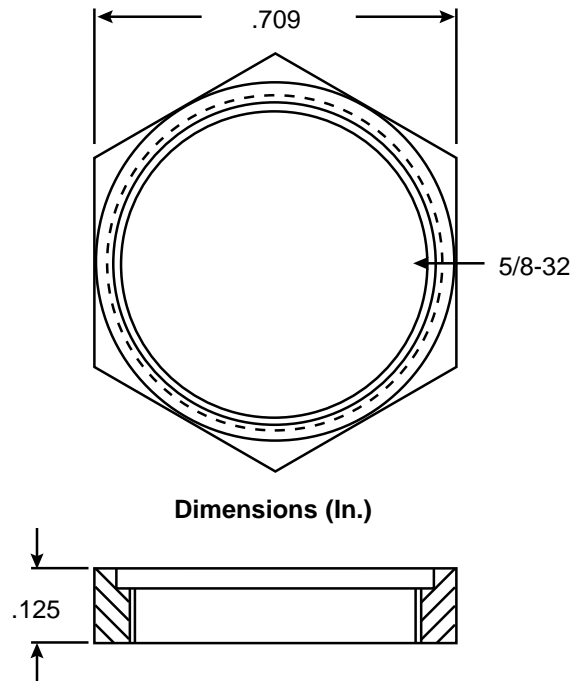
- Lug: nickel plated brass
- Insulator: delrin
- Contact pin: nickel plated brass
- Spring contact: phospher bronze
- Nut: brass
- Washer: brass
- Body: brass

**Electrical Specifications:**

- Dielectric strength: 500VAC
- Insulation resistance: 100MΩ min. @ 500VDC
- Contact resistance: 50mΩ max.
- Power rating: 1A @ 10VDC

Mouser Stock No.	Center Pin Dia.	Metal
163-4022	A	2.1mm, 1" bushing
163-4026	B	2.5mm, 1" bushing

Your source for quality electronics. Toll-free full service  
**(800) 346-6873**



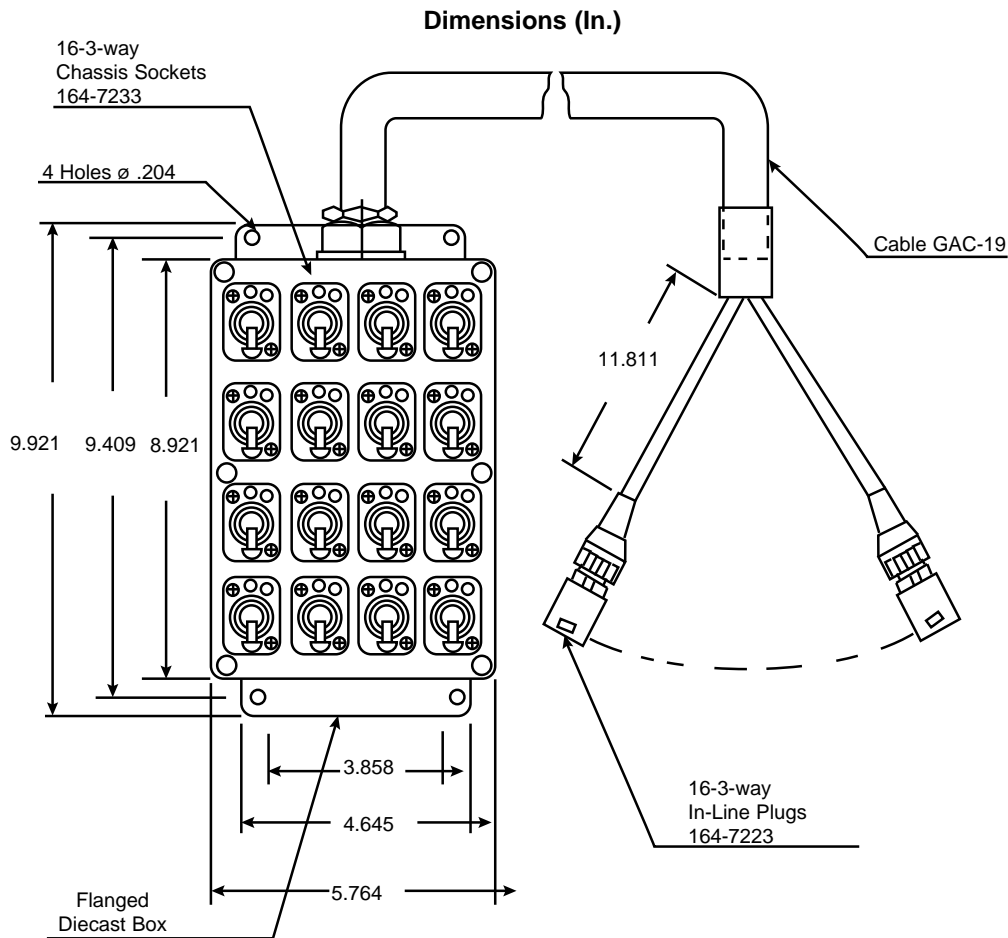
Dimensions (In.)

**Material Specifications:**

- Nut: brass
- Finish: bright nickel plated
- General tolerance:  $\pm 0.1\text{mm}$

Your source for quality electronics. Toll-free full service  
**(800) 346-6873**



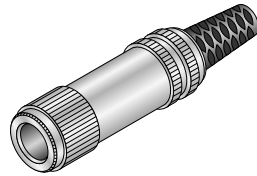


**Specifications:**

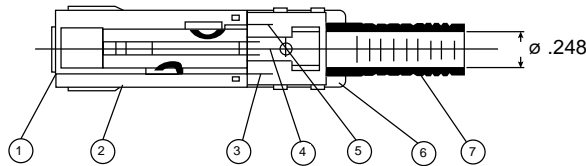
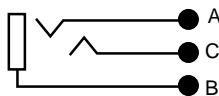
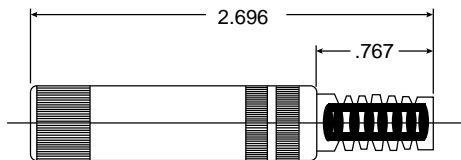
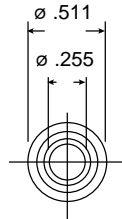
Pre-wired multiway professional audio stage box ideal for neat cabling between multiple microphone, (audio points) and mixing consoles, amplifiers etc.

- Diecast aluminium box mounted with female 3 pin XLR chassis connectors. (164-7233)
- Super-flexible Gotham multicore audio cable. (178-1764M)
- Free end terminated in robust diecast male XLR connectors. (174-7223)
- Box and connectors finished in non-reflective matt black.
- Flanged box with fixing holes.
- Color coded button and collars available (Sold Separately)

Your source for quality electronics. Toll-free full service  
**(800) 346-6873**



Dimensions (In.)



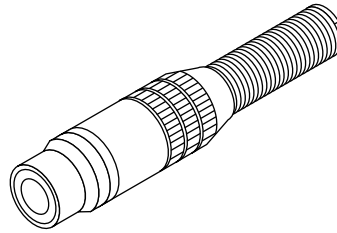
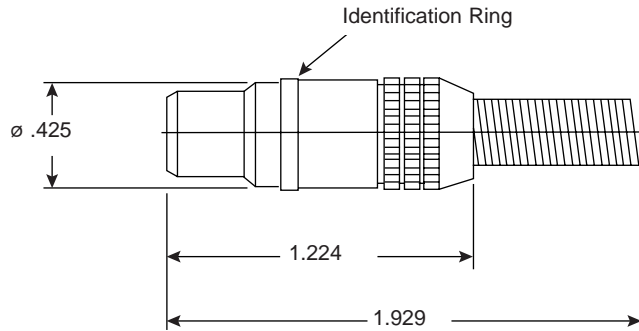
**Specification:**

- Stereo, shielded with black strain relief
- Breakdown voltage: 250VAC for 1 min.
- Insulation resistance: 50MΩ @ 100VDC

	Part name	Material finish
1	Metal sleeve	Nickel plated
2	body	PPO
3	Contact A	Nickel plated
4	Contact B	Nickel plated
5	Contact C	Nickel plated
6	Cap	Nickel plated
7	Cable protection	PVC

Your source for quality electronics. Toll-free full service  
**(800) 346-6873**

164-3400	164-3407	164-3416	164-3425
164-3401	164-3410	164-3417	164-3426
164-3402	164-3411	164-3420	164-3427
164-3405	164-3412	164-3421	Phono In-Line
164-3406	164-3415	164-3422	Socket


**Dimensions (In.)**

**Specifications:**

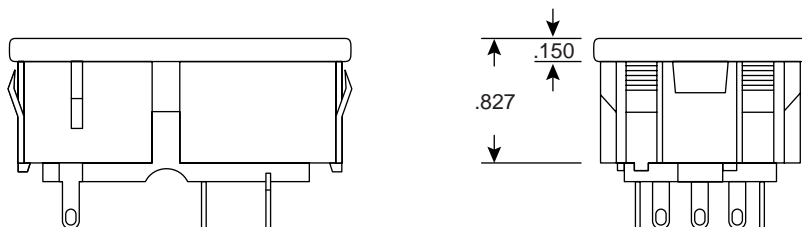
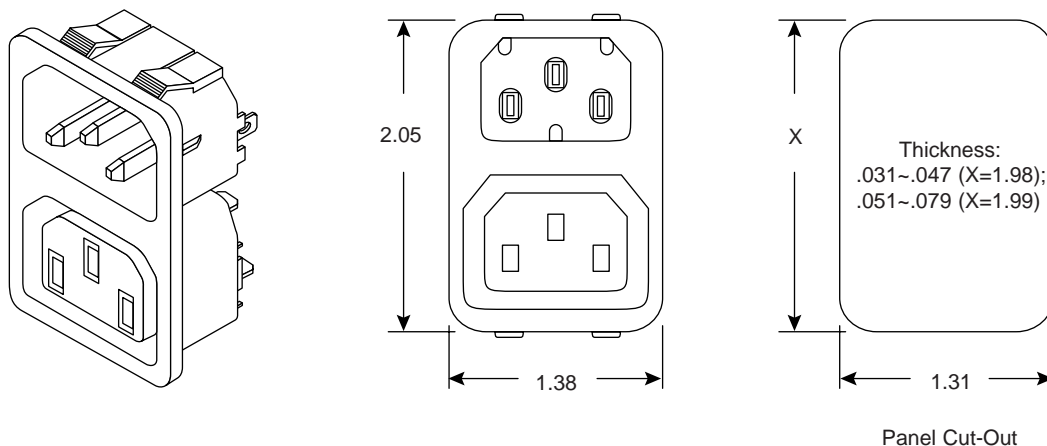
- Maximum cable size: 5.5m (.216")
- Ratings: 5A @ 200VDC/150 VAC maximum
- Insulation resistance: 100MΩ @ 500VDC
- Center contact: silver and flash gold plated brass
- Ground contact: nickel and flash gold plated brass
- Insulation: noryl SE1
- Cable clamp: silver and flash gold plated brass
- Spring: nickel and flash gold plated spring steel
- Cap: nickel and flash gold plated brass

Mouser Stock No.	Description
164-3400	Nickel plated
164-3401	Nickel plated (black ID ring)
164-3402	Nickel plated (blue ID ring)
164-3405	Nickel plated (red ID ring)
164-3406	Nickel plated (white ID ring)
164-3407	Nickel plated (yellow ID ring)
164-3410	Flash gold plated
164-3411	Flash gold plated (black ID ring)
164-3412	Flash gold plated (blue ID ring)
164-3415	Flash gold plated (red ID ring)
164-3416	Flash gold plated (white ID ring)
164-3417	Flash gold plated (yellow ID ring)
164-3420	Flash gold socket assy/black chrome cap & spring
164-3421	Flash gold socket assy/black chrome cap & spring (black ID ring)
164-3422	Flash gold socket assy/black chrome cap & spring (blue ID ring)
164-3425	Flash gold socket assy/black chrome cap & spring (red ID ring)
164-3426	Flash gold socket assy/black chrome cap & spring (white ID ring)
164-3427	Flash gold socket assy/black chrome cap & spring (yellow ID ring)

Your source for quality electronics. Toll-free full service

**(800) 346-6873**

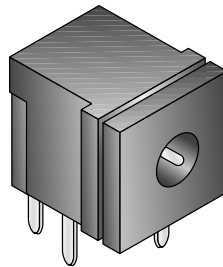
<http://www.mouser.com>



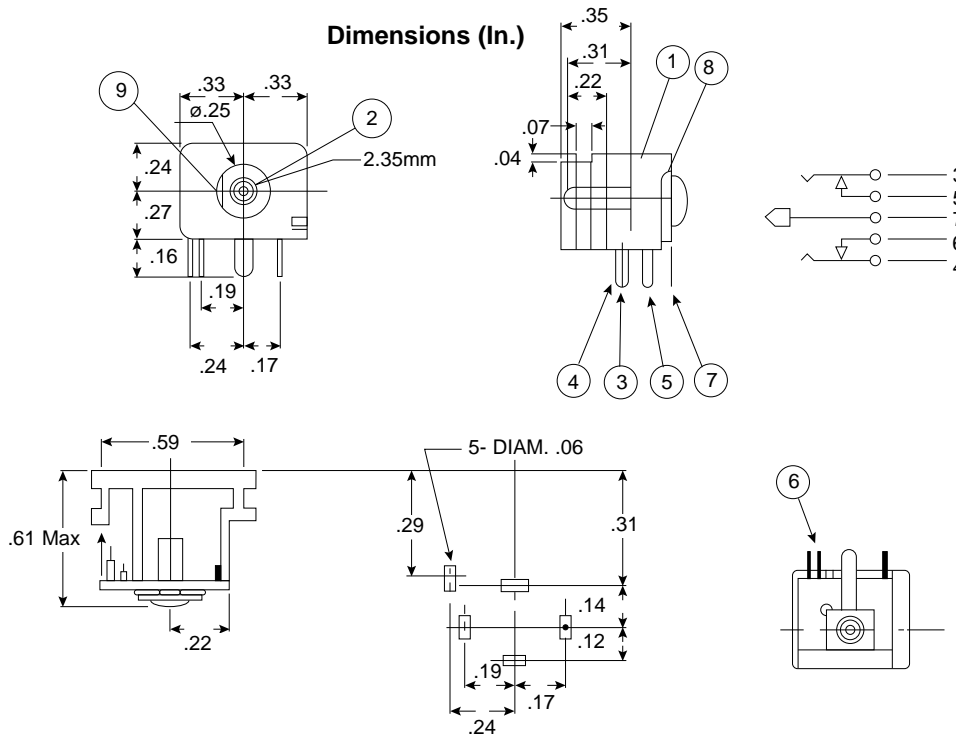
### Dimensions (In.)

#### Specifications:

- Type: IEC 320 / CEE 22 combination, snap-in mount
- Housing: thermoplastic, nylon 66, flammability classified on request 94-V0 or 94-V2
- Terminal: tin-plated copper alloy, solder tab, .187" faston
- Color: black
- Rating: 10A 250VAC
- Insulation resistance: >100MΩ @ 500VDC
- Dielectric strength: >2000VAC (between terminals) for 1 minute @ 0.5mA
- Operating temperature: -25°C~+85°C (max.)
- Solderability: solder bath -235°C dipping time 3 ± 0.5 seconds
- Pull force of terminal : 60 N (0.12ks)



Dimensions (In.)



**Material Specifications:**

- #1 Body: NORYL UL-94V-1
- #2 Pin: silver plated brass
- #3 Sleeve spring: silver plated brass
- #4 Separator spring: silver plated y-cut
- #5 Break terminal A: silver plated brass
- #6 Break terminal B: silver plated brass
- #7 Terminal: silver plated brass
- #8 Plate: phenol
- #9 Separator: nylon 6

**Electrical Specifications:**

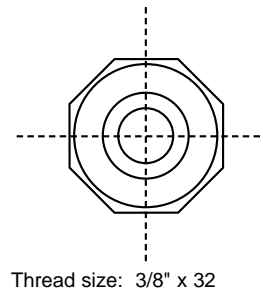
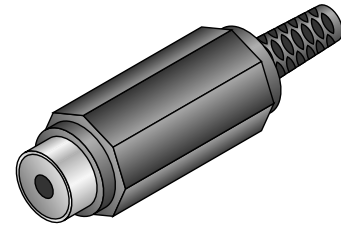
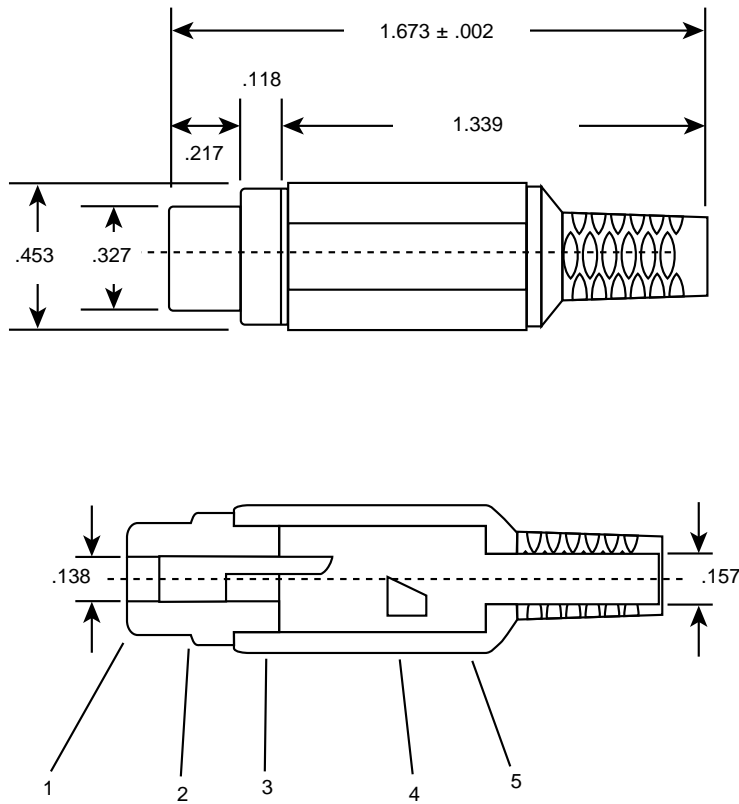
- Current rating: 0.5Amp
- Contact resistance: max. 50m $\Omega$
- Insulation resistance: min. 10M $\Omega$
- Withstand voltage: 300VAC for 1 minute

Your source for quality electronics. Toll-free full service

**(800) 346-6873**

<http://www.mouser.com>

### Dimensions (In.)



#### Material Specifications:

- Cap: polyethylene 80°C max.
- Body insulator: ABS 85°C

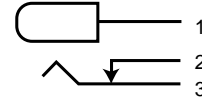
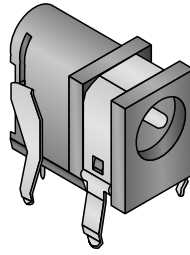
#### Electrical Specifications:

- Contact resistance: 10mΩ max.
- Insulation resistance: 100MΩ min. @ 500VDC
- Withstand voltage: 500VAC for 1 minute
- Temperature: -10°C to +50°C
- Soldering heat: max. 80°C
- Tolerance: ±0.3mm

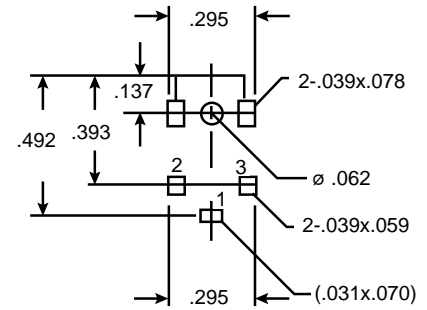
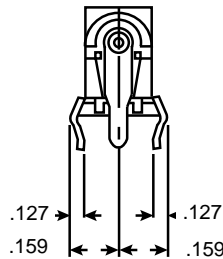
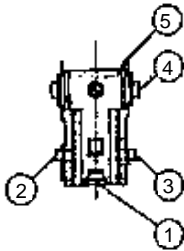
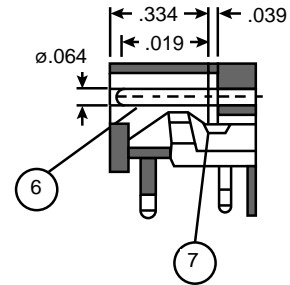
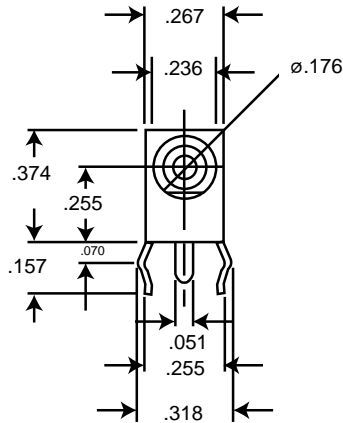
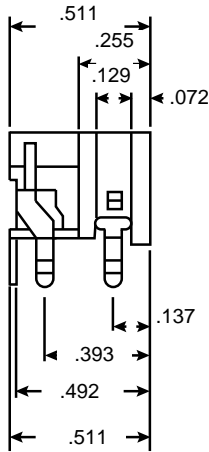
Number	Part Name	Material
1	Insulator	Bake lite
2	Body	A.B.S.resin
3	Contact A	Nickel plated brass
4	Contact B	Nickel plated steel
5	Cap	Polyethylene

Your source for quality electronics. Toll-free full service

**(800) 346-6873**



Dimensions (In.)



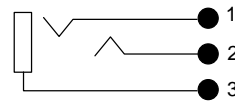
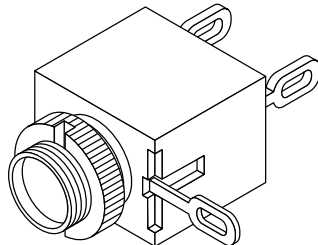
**Specifications:**

- Rated power: DC 6.3 VDC @ 2A
- Dielectric strength: 500 VAC for 1 minute
- Insulation resistance: 100M $\Omega$  min.
- Contact resistance: 30m $\Omega$  max.

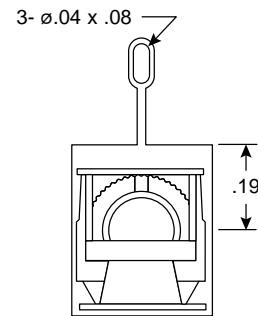
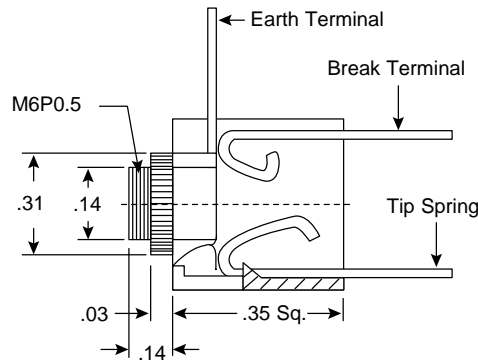
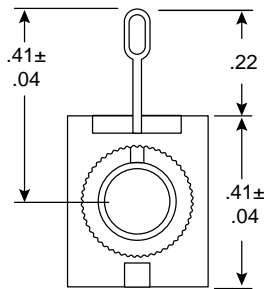
- 1: Center Terminal
- 2: Terminal
- 3: Angled Terminal
- 4: Body
- 5: Center Pin
- 6: Spring

MOUSER STOCK NO.	Description	Mating Plug O.D. (in.)	Center Pin	
			D (in.)	L (in.)
163-4310	1.7mm, molded with snap mount, PC pins, and N/C switch	.157	.063	.335

Your source for quality electronics. Toll-free full service  
**(800) 346-6873**



Schematic



Dimensions (In.)

**Specifications:**

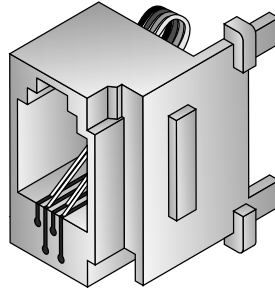
- Type: 3.5mm stereo, open circuit, chassis mount
- Color: black
- Housing: plastic
- Terminals: silver plated
- Barrel: nickel plated
- Insulation resistance: 100MΩ
- Contact resistance: 30mΩ
- Life test: 5,000 cycles
- Soldering temperature: 210°C (max.) for 3~5 seconds
- Hardware included: knurled nut

Your source for quality electronics. Toll-free full service.

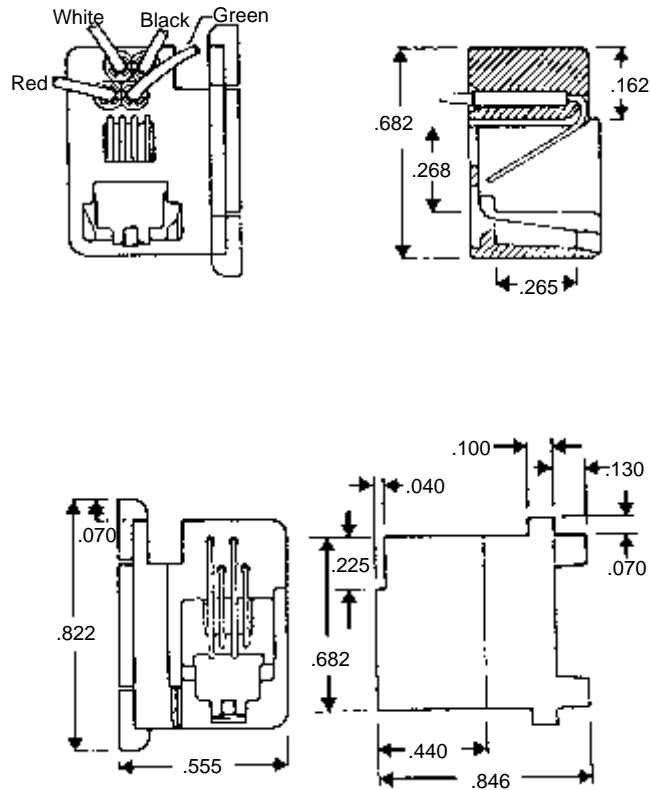
**(800) 346-6873**

<http://www.mouser.com>





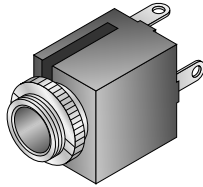
### Dimensions (In.)



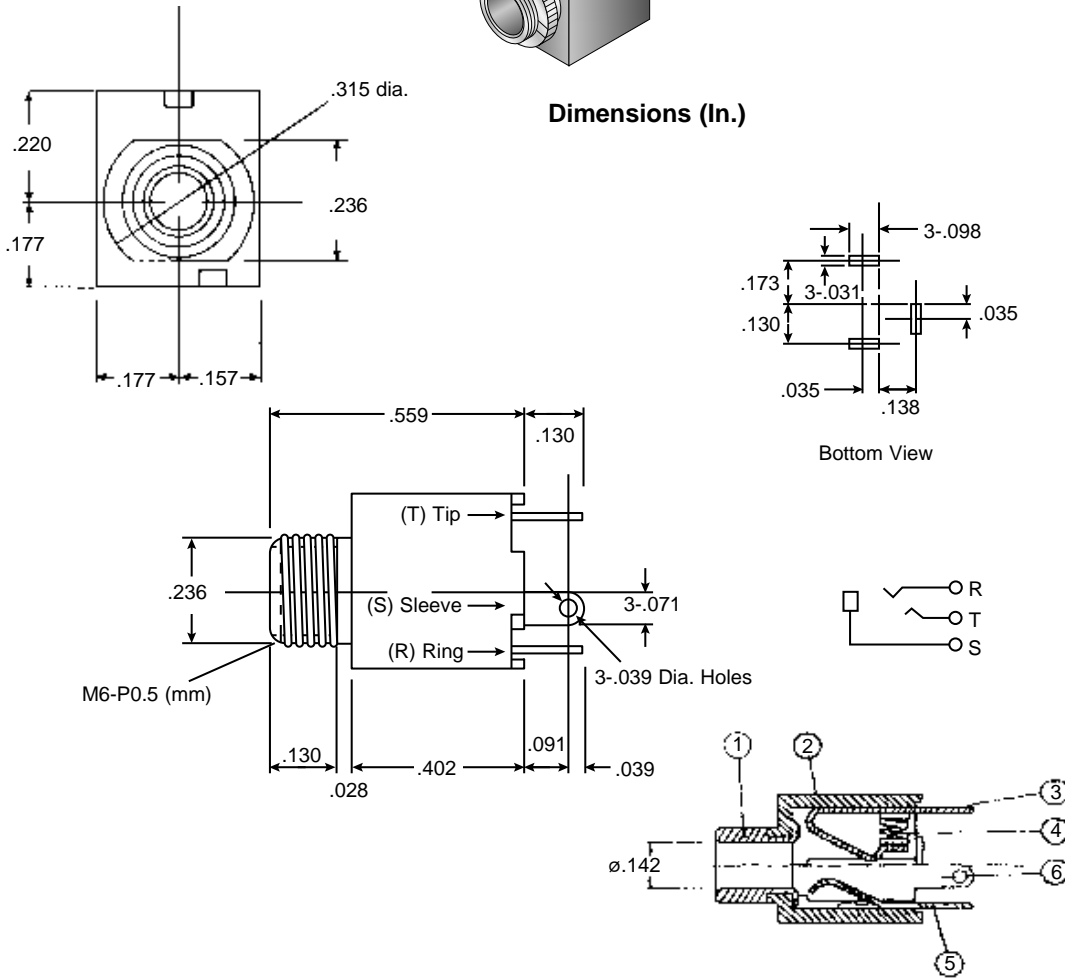
### Features:

- Cylolac ABS plastic body
- Gold plated contacts
- 3 1/2" PVC insulated leads

Your source for quality electronics. Toll-free full service  
**(800) 346-6873**



Dimensions (In.)



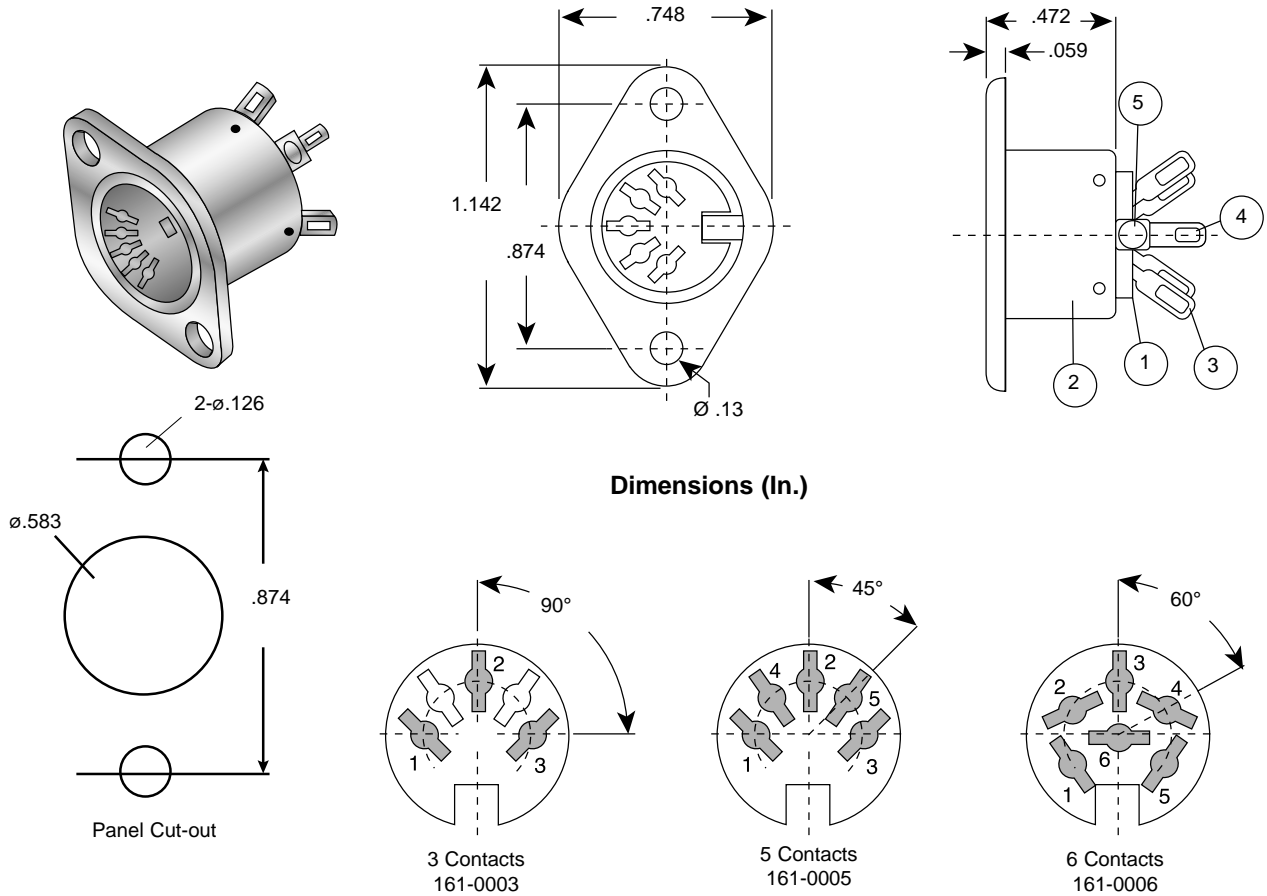
**Specifications:**

- Contact resistance: 30mΩ (max) @ 1A
- Insulation resistance: 50MNΩ (min) @ 500VDC
- Withstand voltage: 250VAC for 1 minute
- Installation & extraction force: 0.8 to 2 Kgs.
- Mating plug: 3.5mm

1. Metal bushing: BsBM2 ø6 Ni 3 nickel plated brass
2. Plastic body: GS2030M
3. Contact A: BsR-2H-.25t Ag silver plated brass
4. Spring: SUS-304 stainless steel
5. Contact B: PBS-EH Ag .25t silver plated p. bronze
6. Ground lug: BsR-H Ag .3t silver plated brass

Your source for quality electronics. Toll-free full service

**(800) 346-6873**

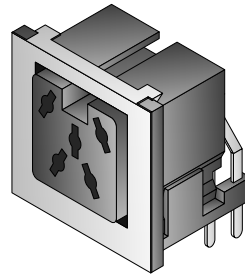


**Specifications:**

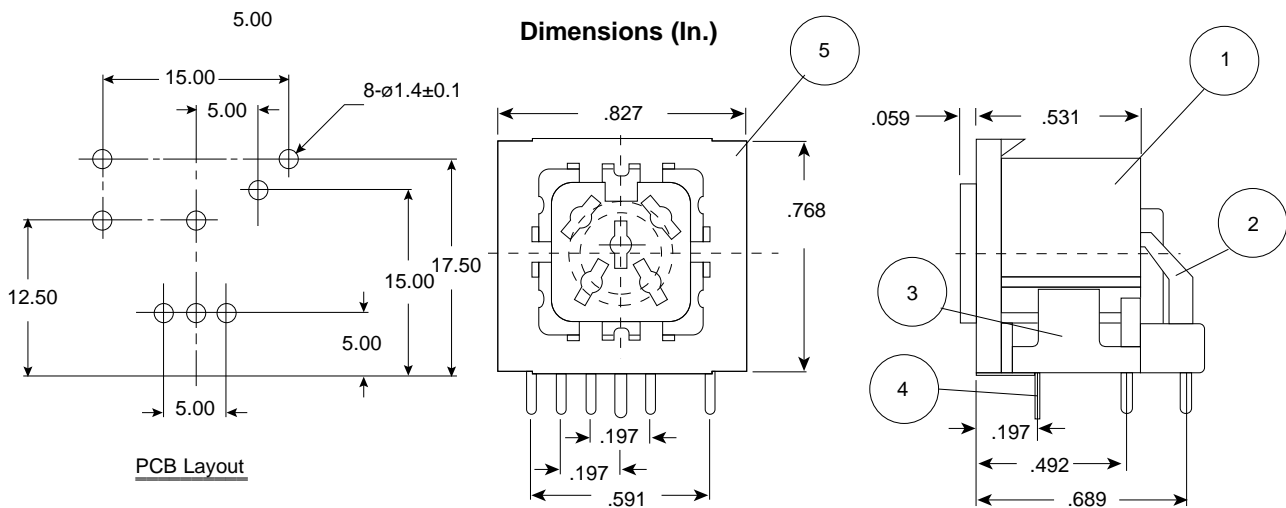
- Rating: 100VAC 2A
  - Insulation resistance: 300MΩ minimum @ 500VDC
  - Dielectric strength: 1,000VAC for 1 minute
  - Contact resistance: 20mΩ maximum
  - Withstand voltage: 1,000VAC for 1 minute
  - Insertion force: 4Kg max
  - Withdrawal force: 1-3.5Kg
1. Insulator: 1 PBT UL94V-O
  2. Socket case: nickel plated
  3. Contactor: tin plated brass
  4. Earth pin: nickel plated brass
  5. Rivet: nickel plated aluminum

Mouser Stock No.	Description	Degrees of Arc
161-0003	3 pin metal body	180°
161-0005	5 pin metal body	180°
161-0006	6 pin metal body	240°

Your source for quality electronics. Toll-free full service  
**(800) 346-6873**



Shielded Face



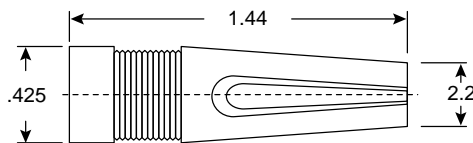
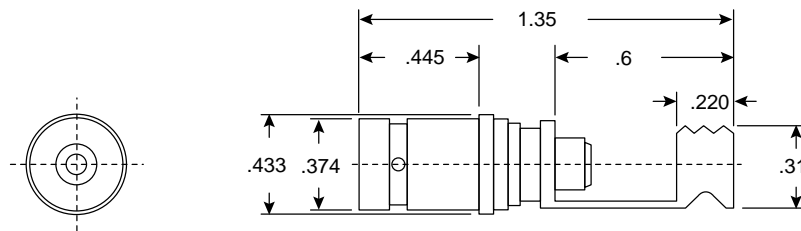
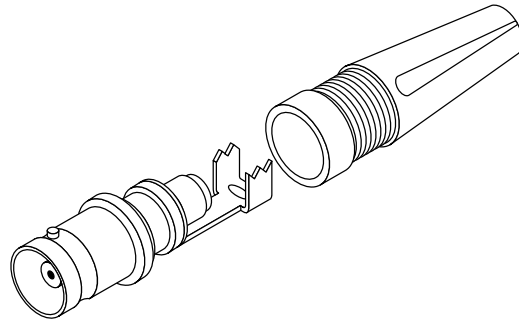
**Specifications:**

- Rating: 100VAC @ 2A; 24VDC @ 1A
- Insulation resistance: 100M $\Omega$  minimum @ 500VDC
- Contact resistance: 30m $\Omega$  maximum
- Voltage rating: 500VAC for 1 minute
- Insertion force: 5KG max
- Withdrawal force: 1Kg max
- Life test: 5,000 cycles minimum

1. Body: PBT UL94V-O
2. Contact terminal: tin plated brass
3. Cover: PBT UL94V-O
4. Earth terminal: tin plated brass
5. Shielding plate: nickel plated brass

Mouser Stock No.	Description
161-0215	5 pin square PC mount

Your source for quality electronics. Toll-free full service  
**(800) 346-6873**



### Dimensions (In.)

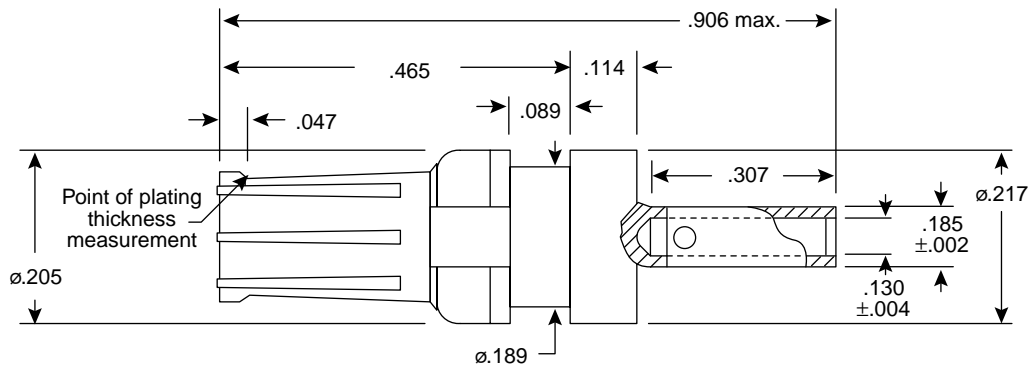
#### Specifications:

- Type: solderless
- Cable type (RG): RG58U
- Body: nickel plated brass
- Insulation: delrin
- Plastic boot: PVC

Your source for quality electronics. Toll-free full service.

**(800) 346-6873**

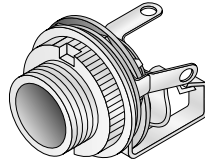
<http://www.mouser.com>



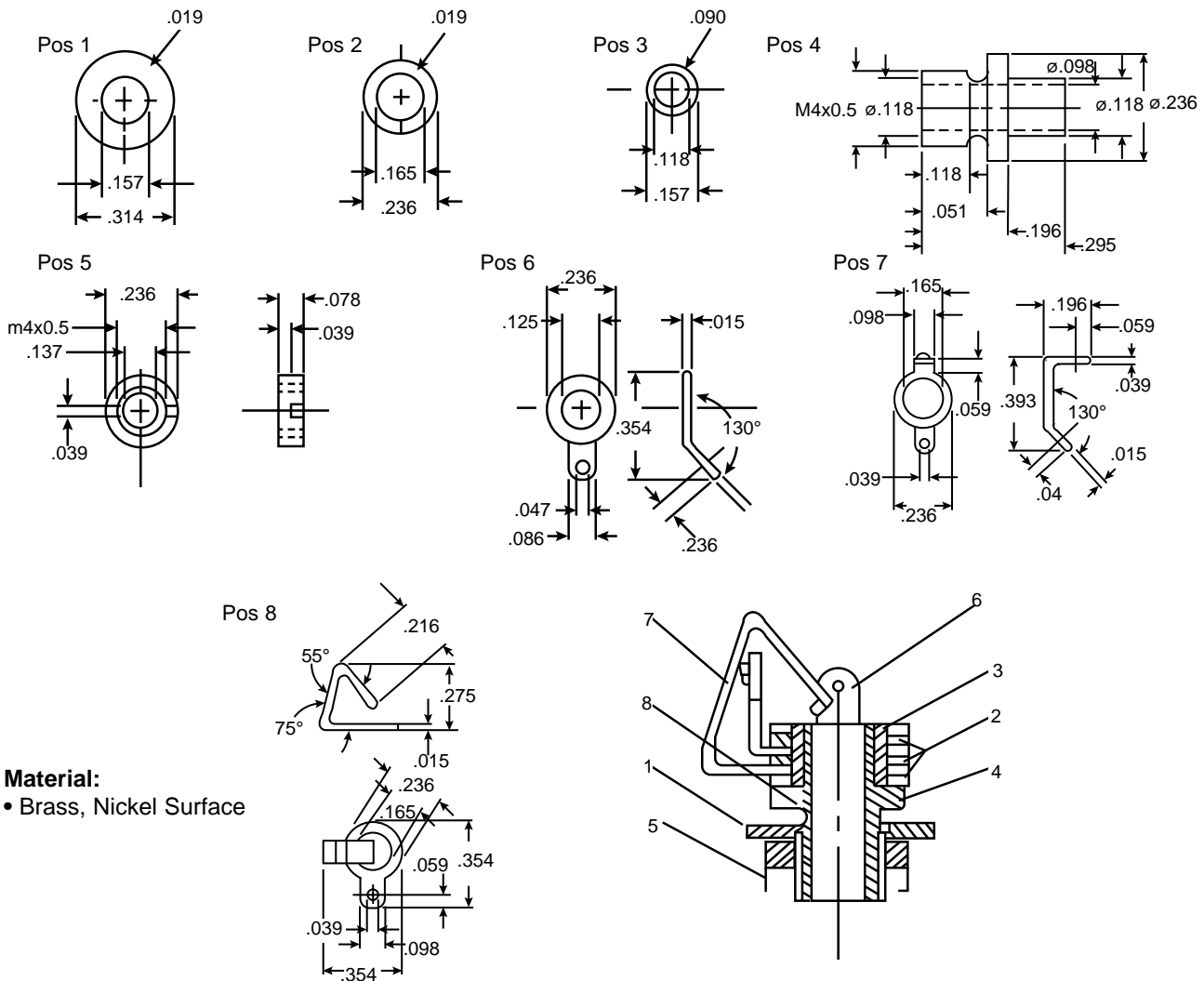
Dimensions (In.)

**Specifications:**

- Type: high power
- Rating: 30A
- For 10 AWG
- Contact resistance: 1.5mΩ (max.)
- Temperature range: -55°C~+125°C
- Termination: crimp straight
- Plating: 1.3 micron gold over nickel (contact area),  
3 micron gold over nickel (termination area)

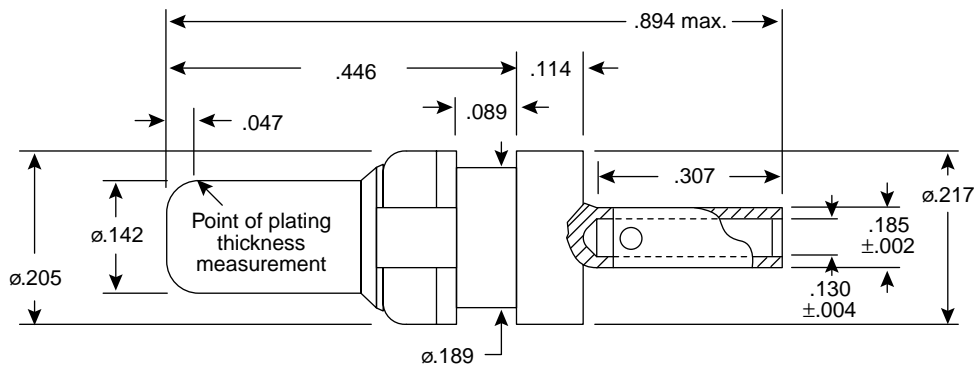


**Dimensions (In.)**



**Material:**  
• Brass, Nickel Surface

Your source for quality electronics. Toll-free full service  
**(800) 346-6873**

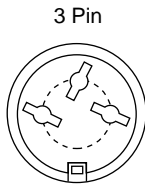
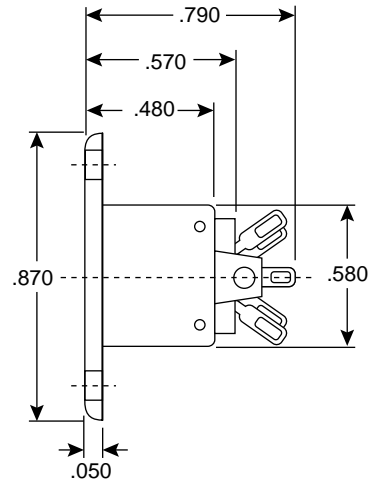
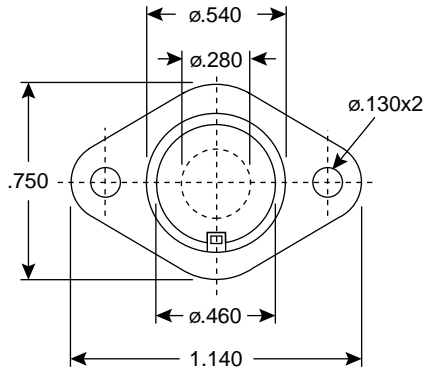
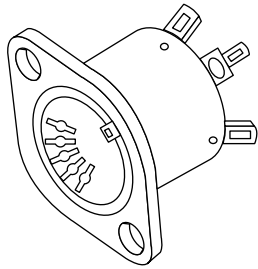


### Dimensions (In.)

#### Specifications:

- Type: high power
- Rating: 30A
- For 10 AWG
- Contact resistance: 1.5mΩ (max.)
- Temperature range: -55°C~+125°C
- Termination: crimp straight
- Plating: 1.3 micron gold over nickel (contact area),  
3 micron gold over nickel (termination area)





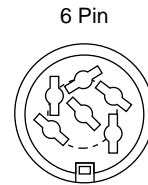
16PJ102



161-4701



16DN100



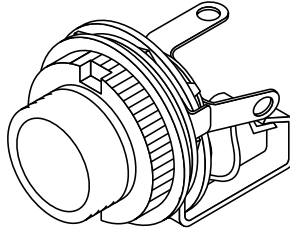
16PJ224

### Dimensions (In.)

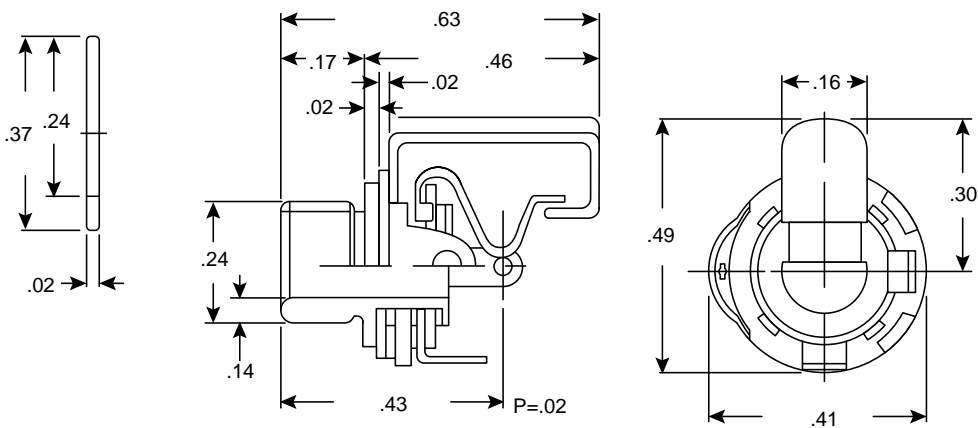
#### Specifications:

- Rated power: 34VDC 2A
- Contact resistance: 30mΩ max.
- Insulation resistance: 100MΩ min. @ 500VDC
- Withstand voltage: 500VAC for 1 minute
- Case: nickel plated steel
- Insulator: phenolic
- Pin: tin plated brass
- Ground lug: tin plated phospher bronze
- Rivet: aluminum

Mouser Stock No.	Description	Degrees of ARC
16PJ102	3 PIN	180°
161-4701	4 PIN	216°
16DN100	5 PIN	180°
16PJ224	6 PIN	240°



### Dimensions (In.)



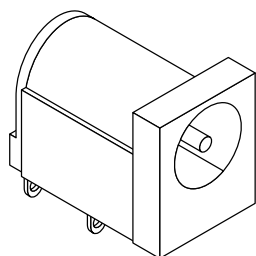
### Specifications:

- Mtg. hole: .25"
- Hex nut: closed

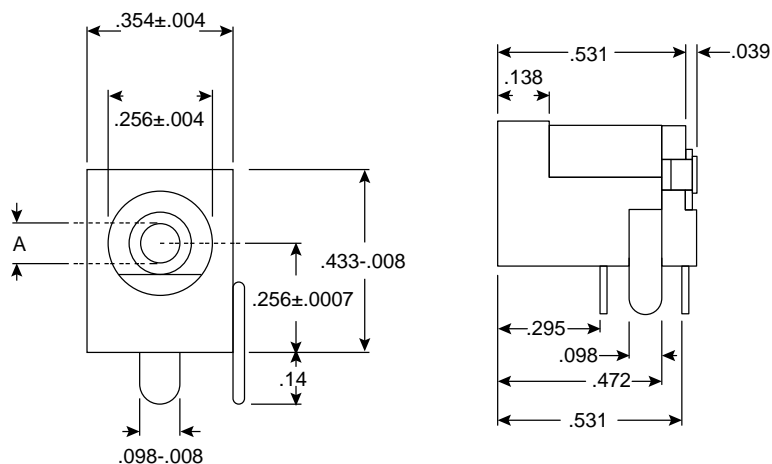
Your source for quality electronics. Toll-free full service

**(800) 346-6873**

<http://www.mouser.com>



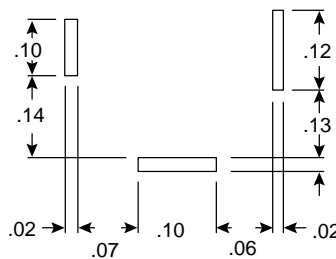
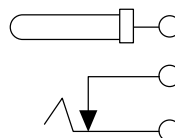
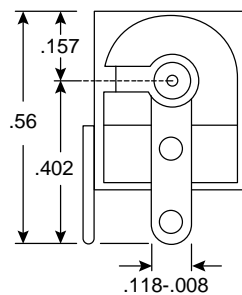
16PJ031 A=2.0mm ± .004  
16PJ032 A=2.35mm ± .004



### Dimensions (In.)

### Specifications:

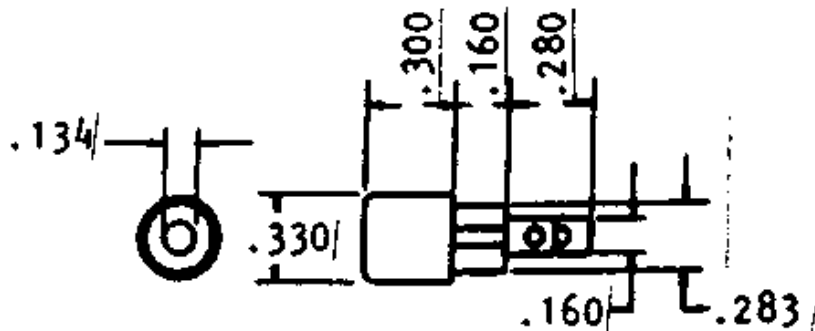
- Contact resistance: max.  $30m\Omega$  / 1A
- Insulation resistance: min.  $50m\Omega$  / 500VDC
- Insulation withstand voltage: 250VAC / 1 minute
- Insulation & extraction force: 0.8 - 2Kgs.
- Heat test: 5 hours /  $60^{\circ}\text{C}$
- Life test: 100,000 cycles
- Plastic: polycarbonate (including 5% glass)
- Compression molding temperature:  $249 - 271^{\circ}\text{C}$
- Compression molding pressure: 70 - 140 Kg /  $\text{cm}^2$
- Injection molding temperature:  $273 - 328^{\circ}\text{C}$
- Injection molding pressure: 703 - 1406 Kg /  $\text{cm}^2$
- Compression ratio: 1.74 - 5.5
- Molding shrinkage ratio: 0.005 - 0.007 mm / mm
- Tensile strength: 560 - 670 Kg /  $\text{cm}^2$
- Elongation: 60 - 100%
- Tensile modulus:  $2.5 \times 10^4$  Kg /  $\text{cm}^2$
- Compressive strength: 880 Kg /  $\text{cm}^2$
- Bending strength: 950 Kg /  $\text{cm}^2$
- Impact strength: 65 - 87 Kg cm / cm (Izot.)
- Hardness: M70-R118 Rockwell
- Thermal conductivity:  $4.6 \times 10^{-4}$  cal / sec.
- Continuous heat resistance:  $120^{\circ}\text{C}$
- Heat distortion temperature:  $130 - 140^{\circ}\text{C}$  (18.5 Kg / cm)
- Temperature range:  $-30^{\circ}\text{C}$  to  $+65^{\circ}\text{C}$
- Flammability rating: UL94V-1



Your source for quality electronics. Toll-free full service

**(800) 346-6873**

<http://www.mouser.com>



## MATERIALS

- Brass Metal
- Front Insulator : Nylon 66
- Inside Insulator : Polyethylene Terephthalate
- Net Weight : 1.2 grams

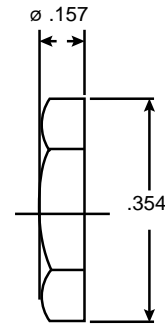
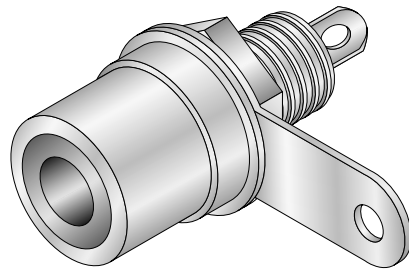
## FEATURES

- Can accept audio or video shielded cable on terminals.

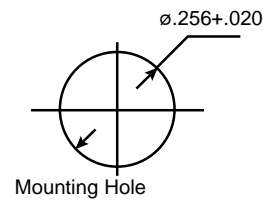
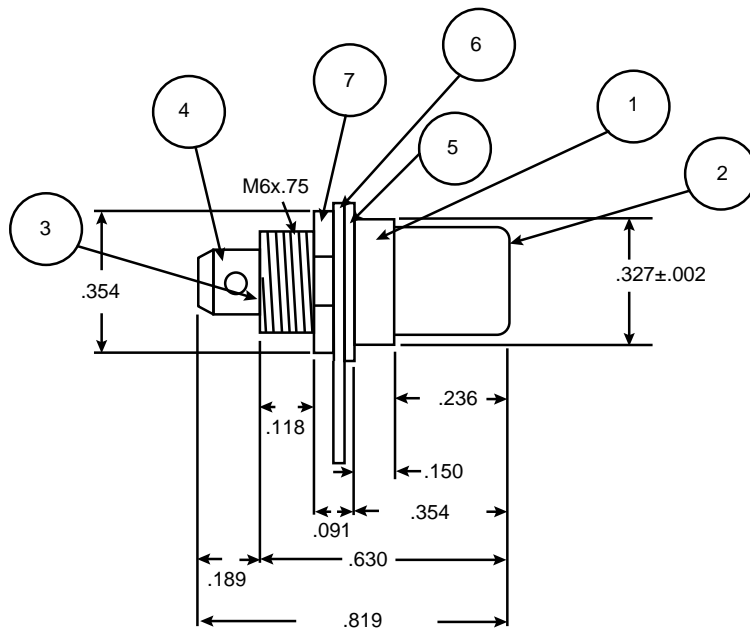
Your source for quality electronics. Toll-free full service

**(800) 346-6873**

<http://www.mouser.com>



Dimensions (In.)



Mounting Hole

**Material Specifications:**

1. Housing: nickel plated brass
2. Jack insulator: duracon
3. Terminal insulator: duracon
4. Terminal: nickel plated brass
5. Washer: nickel plated steel
6. Lug washer: nickel plated steel
7. Nut: nickel plated brass

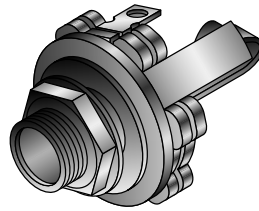
**Electrical Specifications:**

- Contact resistance: 10m $\Omega$
- Withstand voltage: 500VAC for 1 minute
- Insulation resistance: 100M $\Omega$  min. @ 500VDC

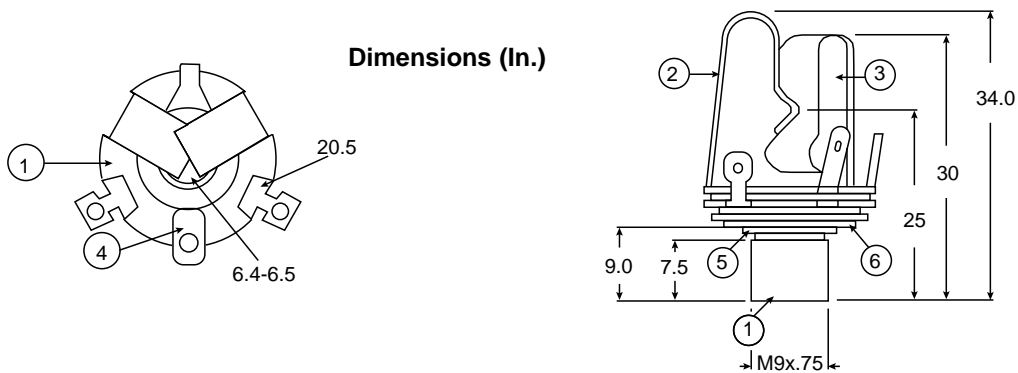
- 16PJ052: black insulator
- 161-1002: red insulator
- 161-1004: white insulator
- 161-1005: yellow insulator

Your source for quality electronics. Toll-free full service

**(800) 346-6873**



### Dimensions (In.)



### Material Specifications:

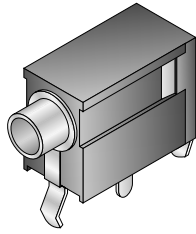
- Contact material: nickel plated brass
- Insulation material: duracon

### Electrical Specifications:

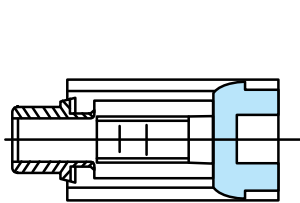
- Voltage rating: 500VAC for 1 minute
- Reliability: 15,000-20,000 cycles
- Operating temperature: 350°C

1. Threaded metal bushing 11mm dia. nickel plated
2. Spring contact (A), brass nickel plated (brass spring material)
3. Spring contact (B), brass nickel plated (brass spring material)
4. Ground ring terminal, steel nickel plated
5. Metal washer, nickel plated
6. Insulator (A) duracon
7. Insulator (B) duracon

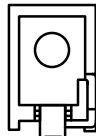
Your source for quality electronics. Toll-free full service  
**(800) 346-6873**



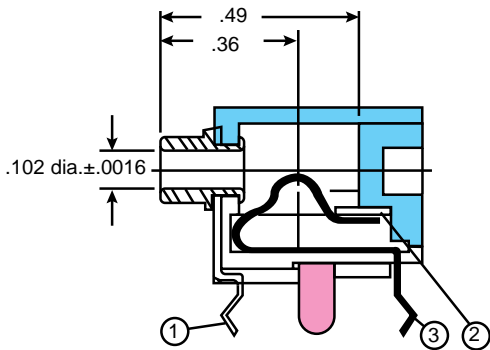
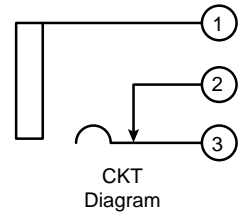
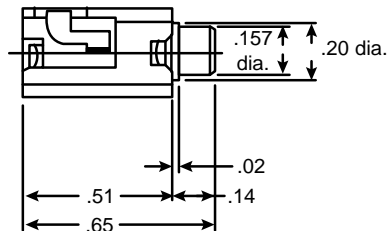
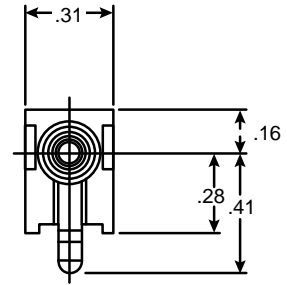
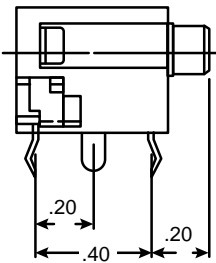
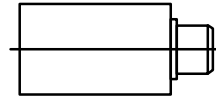
Dimensions (In.)



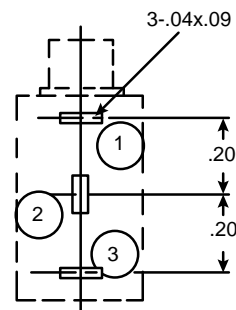
B-B sect



3-.08



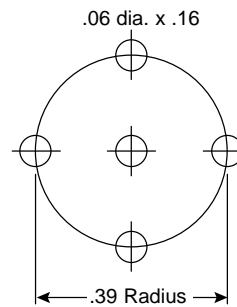
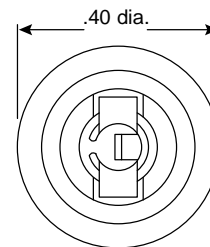
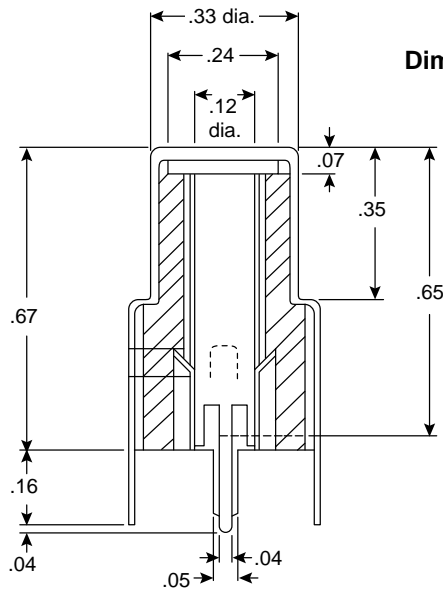
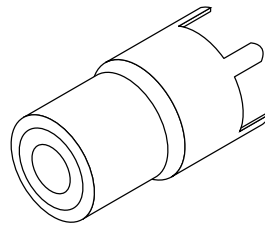
A-A sect



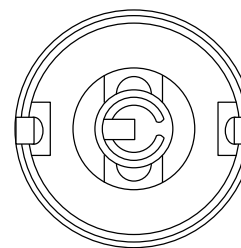
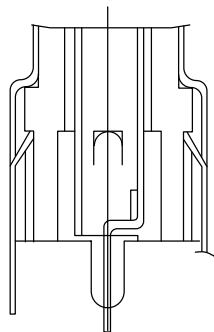
P.C.B. Footprint

**Specifications:**

- Insulation resistance: 100MΩ (min) @ 500VDC
- Withstand voltage: 500VAC for 1 minute
- Contact resistance: 20mΩ (max)
- Insertion torque: 2.5Kgs (max)
- Extraction torque: 2.5Kgs (max)
- Temperature test: no defectives after 72 hours in 70°C
- Life test: no defectives in contact resistance and insulation resistance after 10,000 insertions
- Polycarbonate: UL94V-2
- Flammability: 235°C (5 seconds)



P.C.B. Pattern



**Specifications:**

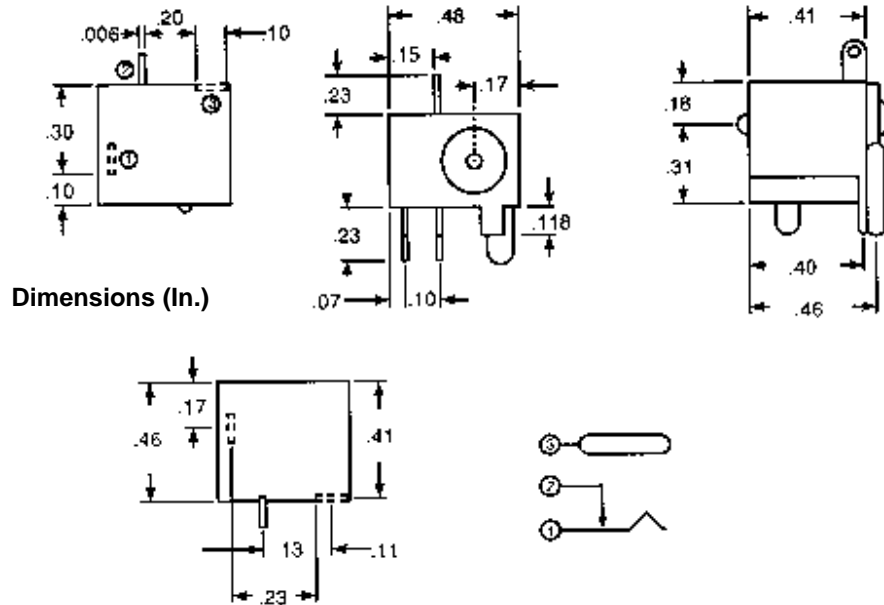
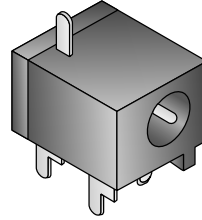
- Contact resistance: max. 20mΩ
- Insulation resistance: min. 50mΩ / 500VDC
- Withstand voltage: 500VAC / 1 sec.
- Heat test: 6 hours / 60°C
- Life test: 500 cycles per 10-20 cycles @ 1 minute

Your source for quality electronics. Toll-free full service

**(800) 346-6873**

<http://www.mouser.com>





**Description:** Jack, power, 12.7mm high x 3.5mm tall

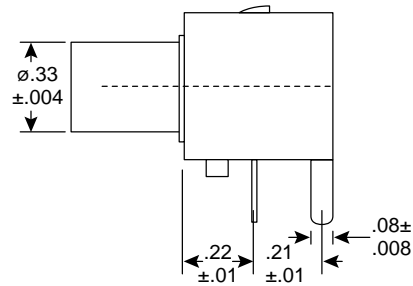
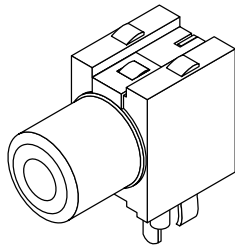
**Mechanical Specifications:**

- Pin: Brass bar nickel plated
- Terminal: Brass strip 0.5t, silver plated
- Shunt terminal: Brass strip 0.5t, Silver plated
- Tip spring: YCUTM-EH 0.2t, silver plated
- Cover and body: PBT +15%GF, UL94V-0
- Insertion force: 0.2-2kg maximum
- Extraction force: 0.2kg to 1.5kg

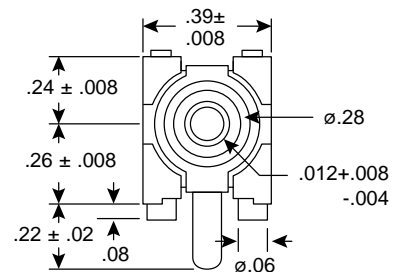
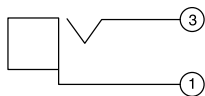
**Electrical Specifications:**

- Current rating: 12 volts at 0.54 Amps
- Insulation resistance: Insulation resistance of between mutually insulated terminals or metallic parts shall not be less than 50MΩ before test or initial, using a 500 volts DC insulation resistance meter.
- Contact resistance: Contact resistance between terminals of the jack to be made a closed circuit, shall not exceed 30mΩ before test or initial. Shall not exceed 60mΩ after life test, at a current of below 100mA and a frequency of 1.0KHz (voltage drop method of four terminals method).
- Durability: The life test to be made by 5,000 cycles of insertion and extraction with the matching plug at a rate of 20 to 30 cycles per minute under no load. Contact resistance shall not exceed 100mΩ.
- Measuring of 5 to 35°C and a relative humidity to 40 to 85%.

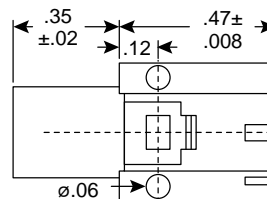
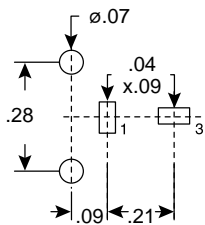
Your source for quality electronics. Toll-free full service  
**(800) 346-6873**



Circuit Diagram



Mounting Holes



### Dimensions (In.)

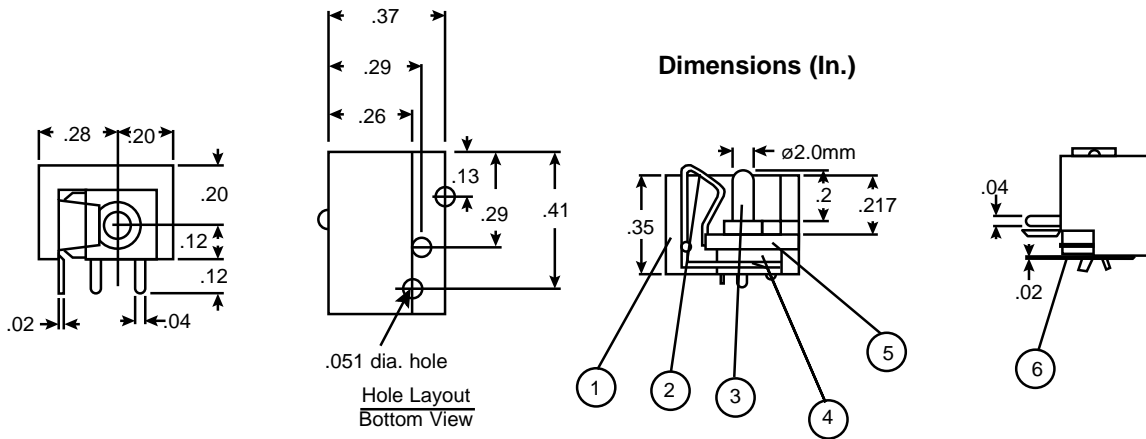
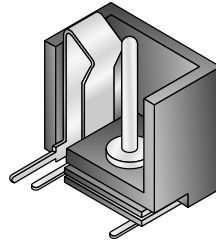
#### Specifications:

- Type: non-switched PC mount
- Rating: 1A @ 12VDC
- Contact resistance: 30m $\Omega$  (max.)
- Insulation resistance: 50M $\Omega$  (min.) @ 500VDC
- Withstand voltage: 500VAC for 1 minute
- Contact pin: silver plated brass
- Shell: nickel plated brass
- Body: Noril

Your source for quality electronics. Toll-free full service.

**(800) 346-6873**

<http://www.mouser.com>

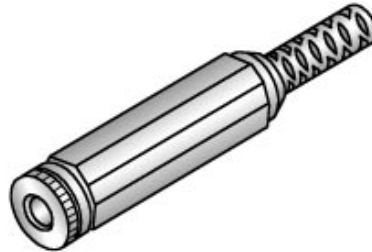


**Specifications:**

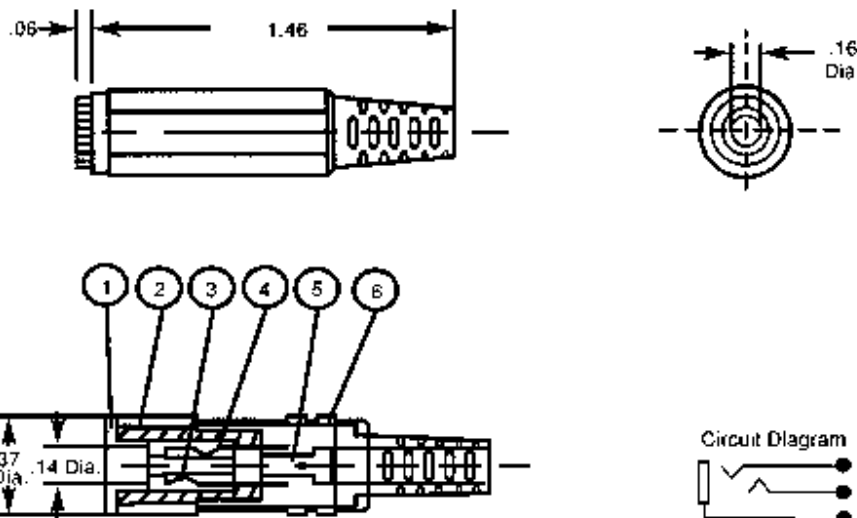
- Rated voltage: 12VDC
- Rated current: 1A
- Withstand voltage: 500VAC
- Insulation resistance: >100M $\Omega$  @ 500VAC
- Contact resistance: <60m $\Omega$

Number	Part name	Quantity	Material	Remarks
1	Case	1	PBT	
2	Terminal A	1	Y cut M-EH	Ag plated
3	Center pin	1	Brass	Ag plated
4	Insulator	2	Phenolic resin	
5	Terminal B	1	Brass	Ag plated
6	Terminal C	1	Brass	Ag plated

Your source for quality electronics. Toll-free full service  
**(800) 346-6873**



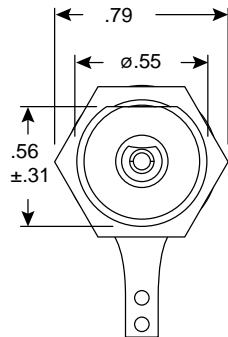
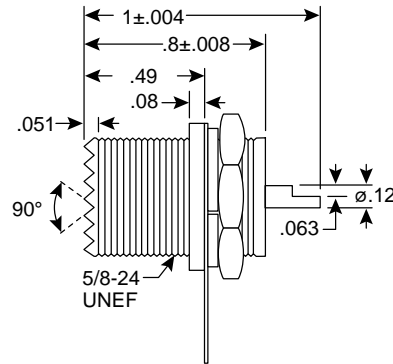
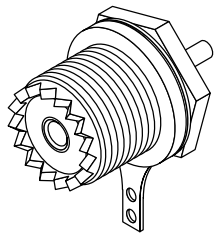
Dimensions (In.)



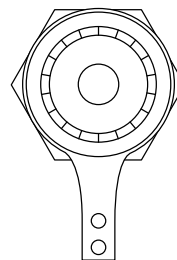
**Electrical Specifications:**

- Insulation resistance: 100MΩ min. @ 250VDC
- Breakdown voltage: 250VAC for one minute
- Materials:
  - 1) Metal - BSBM, nickel plated finish
  - 2) Body - Polyphenyleneoxide
  - 3) Terminal - PBS-EH t=0.25, Au-P finish
  - 4) Terminal - PBS-EH t=0.25, nickel plated finish
  - 5) Terminal - Steel t=0.3, nickel plated finish
  - 6) Cap -PE

Your source for quality electronics. Toll-free full service  
**(800) 346-6873**



Back View



Front View

**Dimensions (In.)**

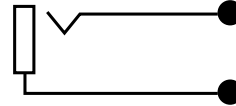
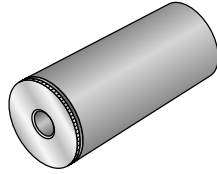
**Specifications:**

- Type: UHF, front panel mount
- Amphenol type: 83-875

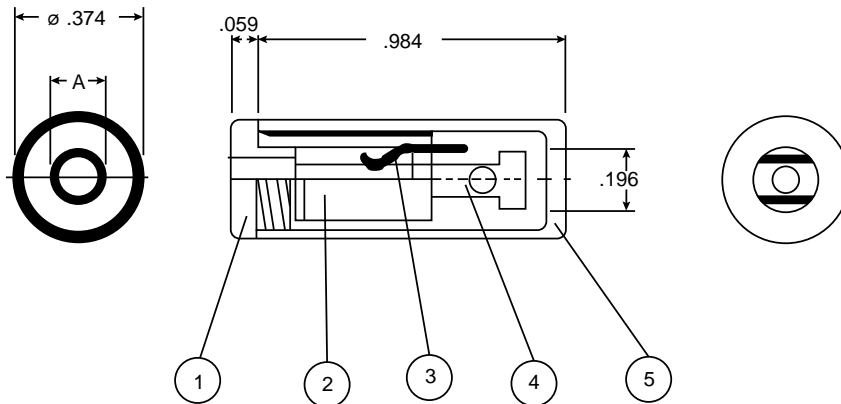
Your source for quality electronics. Toll-free full service.

**(800) 346-6873**

<http://www.mouser.com>



**Dimensions (In.)**



**Specifications:**

- Breakdown voltage: 500VAC for 1 minute
- Insulation resistance: min. 100MΩ @ 500VDC
- Contact resistance: max. 50mΩ
- Life time: min. 5,000 cycles
- Tolerance: ±.011

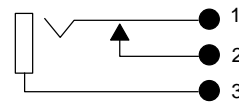
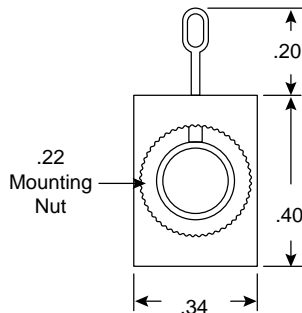
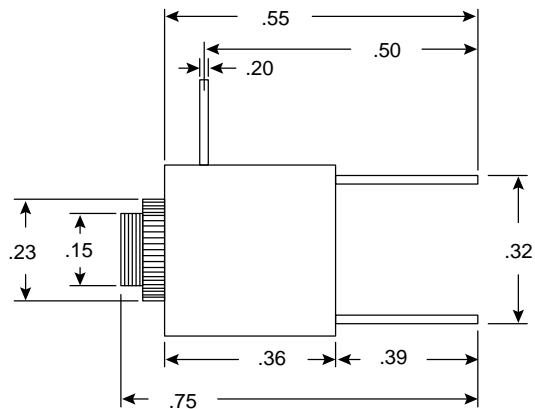
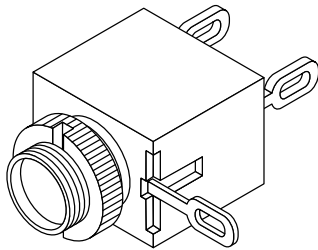
16PJ105: mono, hi-rel, black plastic handle

16PJ119: mono, hi-rel, black plastic handle

Mouser Stock No.	A
16PJ119	ø .141
16PJ105	ø .102

Number	Part name	Material	Remarks
1	Contact A	BSBM	Ni
2	Body	PA	
3	Contact B	PBS	Ni
4	Terminal	BSR	Ni
5	Cap	APS	

Your source for quality electronics. Toll-free full service  
**(800) 346-6873**



Schematic

### Dimensions (In.)

#### Specifications:

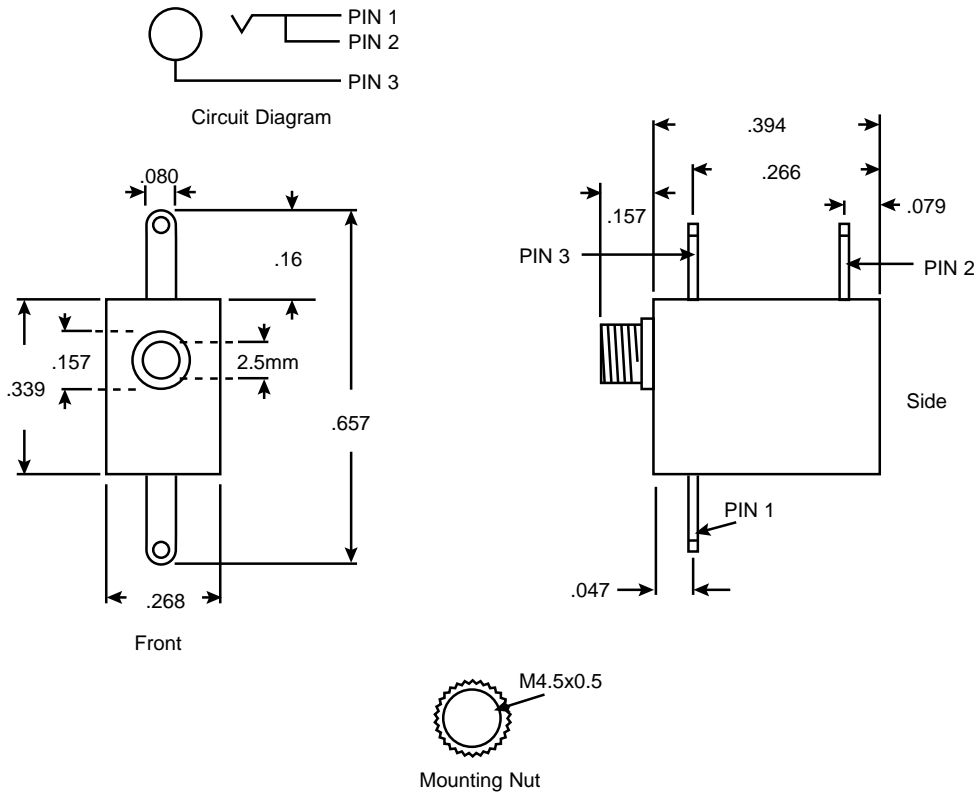
- Type: mono phone jack
- Housing: black ABS plastic
- Mounting hole: .25 inches
- Temperature rating: 185°C
- Contacts: nickel plated brass
- N/C switch w/spring
- Chassis mount
- Mechanical life: 5,000 cycles

Your source for quality electronics. Toll-free full service

**(800) 346-6873**

<http://www.mouser.com>

### Dimensions (In.)



Thread size:

M4.5x.05

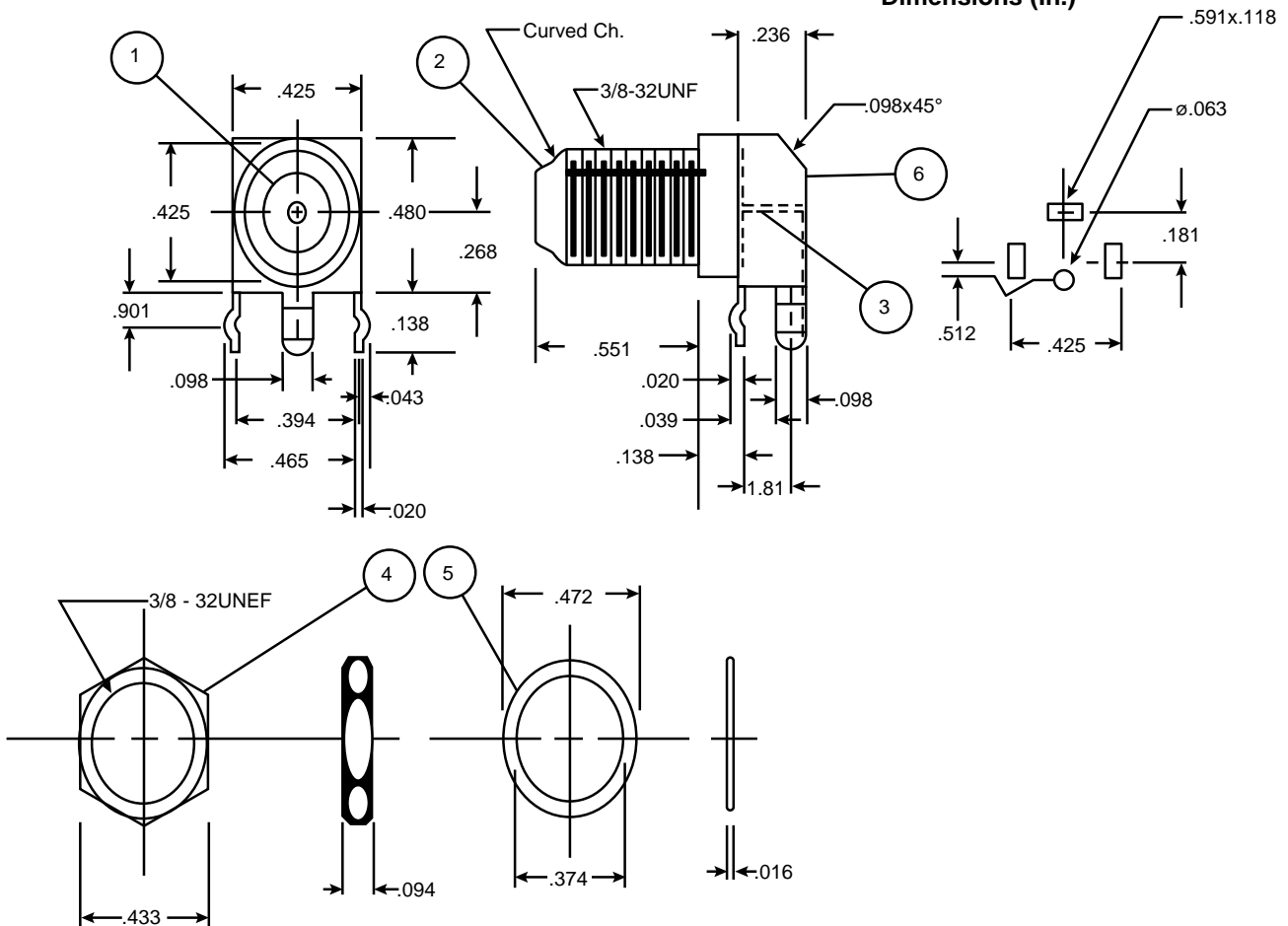
.157-outside dia. of the metal shaft of jack

Your source for quality electronics. Toll-free full service

**(800) 346-6873**

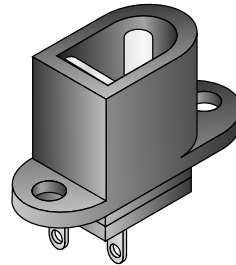


Dimensions (In.)

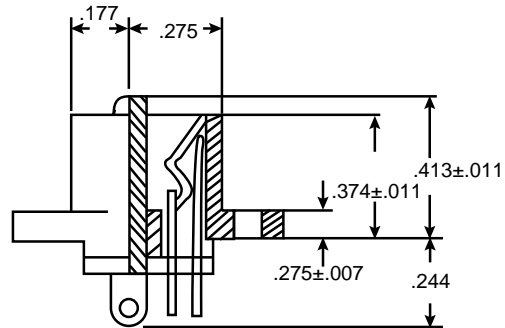
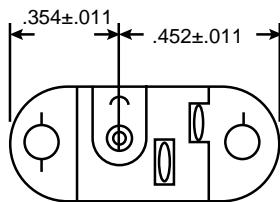
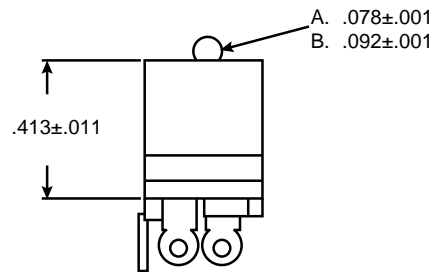
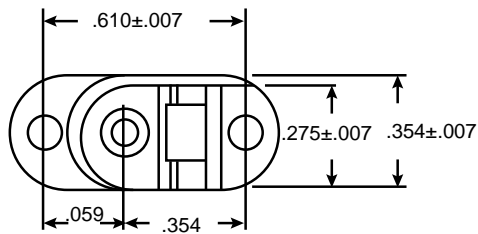


No.	Description	Material	Finish	Qty.
1	Insulator	P.P.	Natural	1
2	Body	Brass	Ni-plated	1
3	Terminal	Brass	Tip-plated	1
4	Nut	Brass	Ni-plated	1
5	Washer	C.R. S.	Ni-plated	1
6	Bracket	C.R.S.	Tin-plated	1

Your source for quality electronics. Toll-free full service  
**(800) 346-6873**



Dimensions (In.)

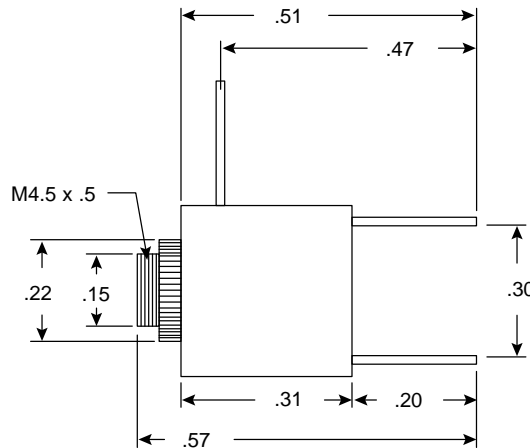
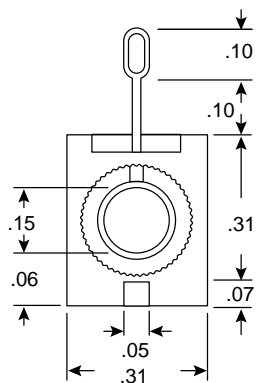
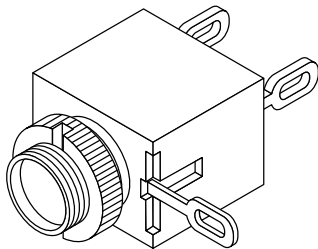


**Specifications:**

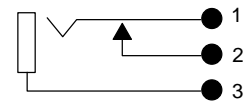
- Withstanding voltage: 1 minute @ 250VAC
- Insulation resistance: more than 50MΩ @ 250VAC
- Contact resistance: less than 30mΩ
- Insertion: 0.5-2.0 Kgs
- Life: more than 10,000 cycles

16PJ222	2.1mm Panel mount DC jack
16PJ221	2.5mm Panel mount DC jack

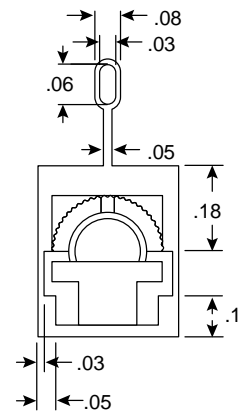
Your source for quality electronics. Toll-free full service  
**(800) 346-6873**



Dimensions (In.)



Schematic



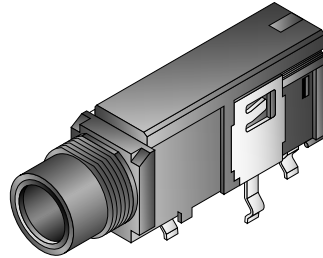
**Specifications:**

- Type: mono phone jack
- N/C switch w/spring (white)
- Housing: ABS plastic
- Insulation resistance: 50MΩ min. @ 100V
- Contact resistance: 30mΩ max.
- Insulation withstand voltage: 250VAC for 1 minute
- Contacts: nickel plated brass
- Mounting hole: .16 inches
- Chassis mount
- Mechanical life: 5,000 cycles
- Replacement nut: 48KN005

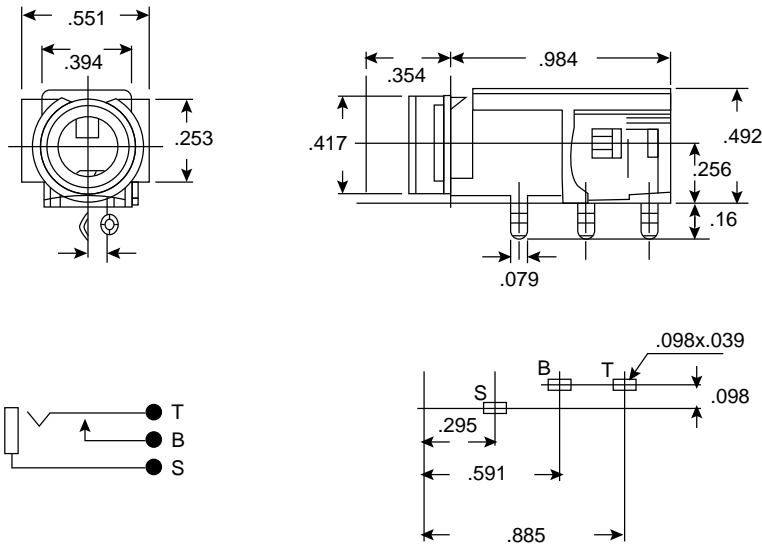
Your source for quality electronics. Toll-free full service

**(800) 346-6873**

<http://www.mouser.com>



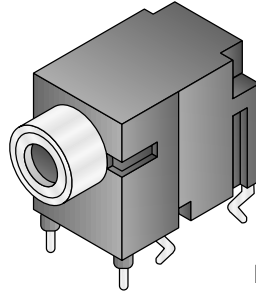
**Dimensions (In.)**



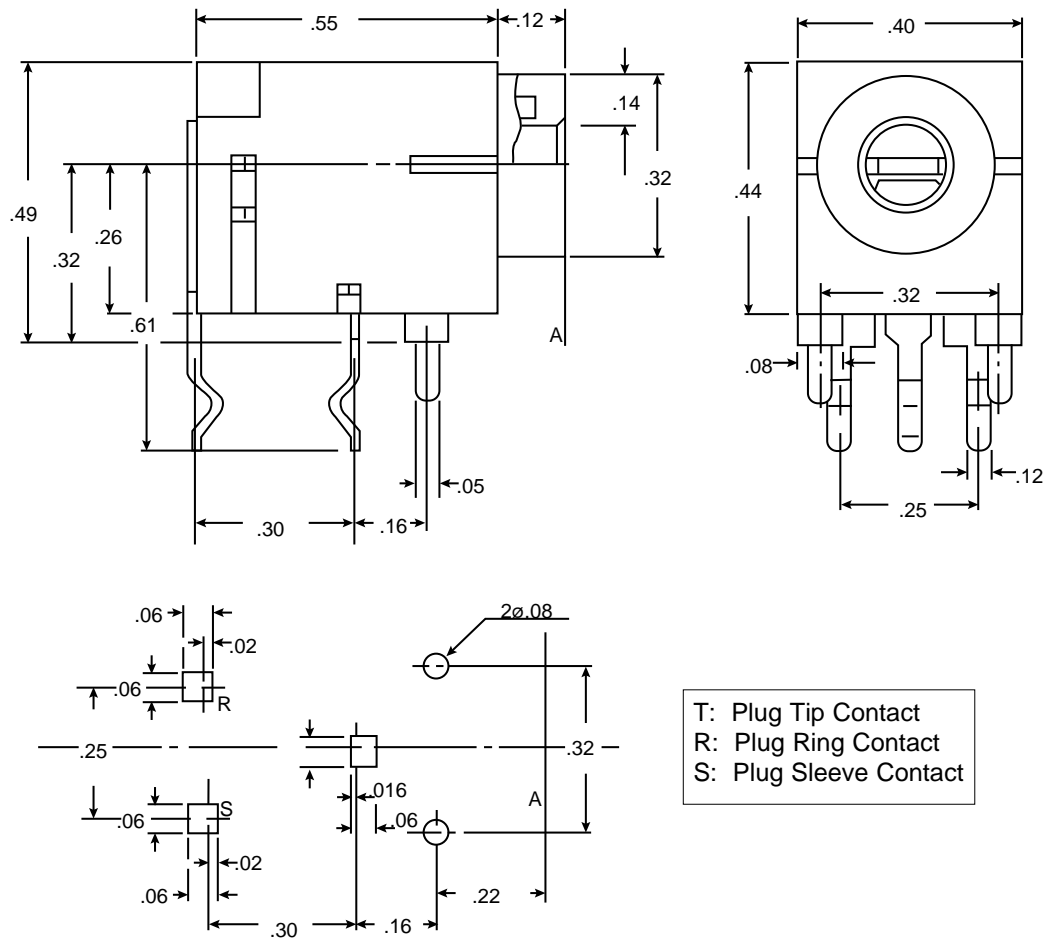
**Specifications:**

- Contact resistance: 30mΩ max
- Insulation resistance: 100MΩ min @ 500VDC
- Insulation withstand voltage: 500VAC for 1 minute

Your source for quality electronics. Toll-free full service  
**(800) 346-6873**



Dimensions (In.)

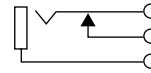
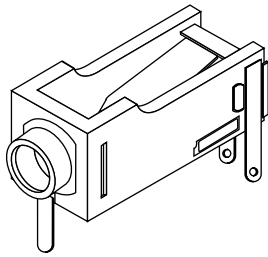


**Specifications:**

- Conduct resistance between T-R: 30mΩ max.
- Contact resistance between Plug-T: 50mΩ max.
- Insulation resistance: 100MΩ min. @ 500VDC
- Insulation withstand voltage: 500VAC for 1 minute

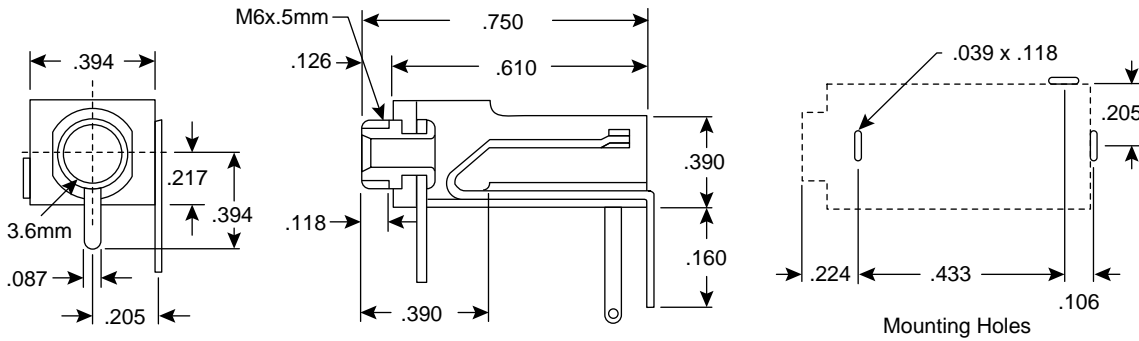
Your source for quality electronics. Toll-free full service

**(800) 346-6873**



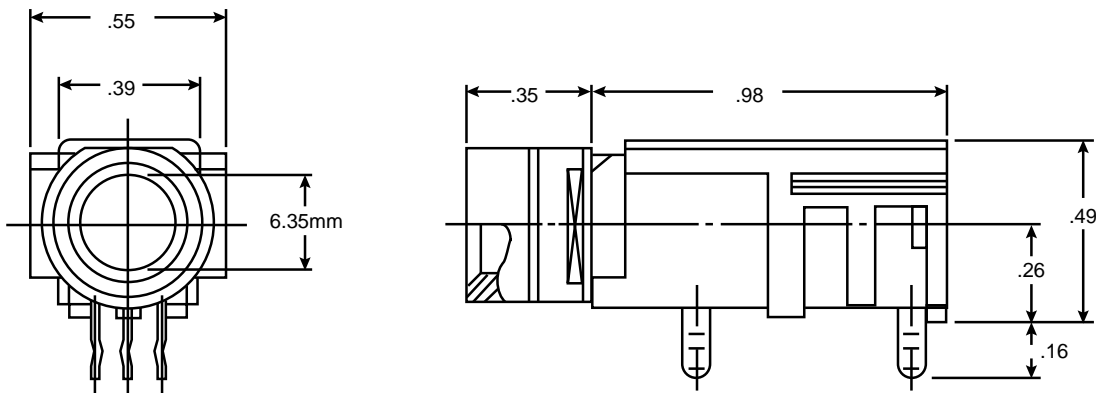
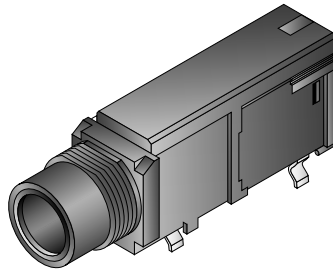
Circuit Diagram

**Dimensions (In.)**  
(except where noted)

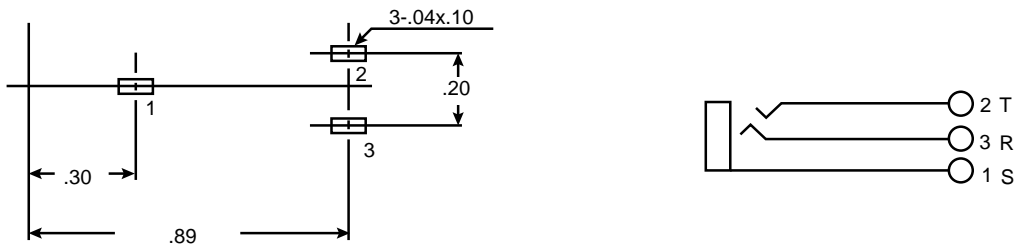


**Specifications:**

- Type: 3.5mm jack with switch
- Contact resistance: <math><30\text{m}\Omega</math>
- Insulation resistance:  $50\text{M}\Omega @ 500\text{VDC}$
- Withstand voltage: 500VAC for 1 minute



Dimensions (In.)

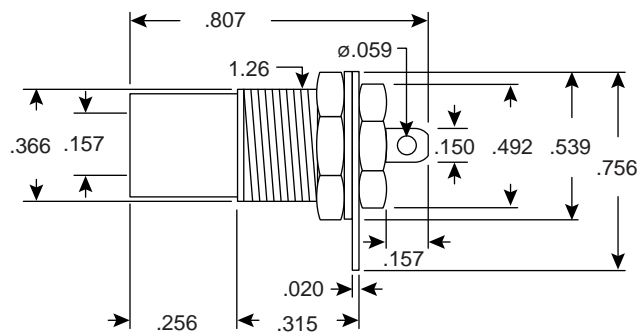
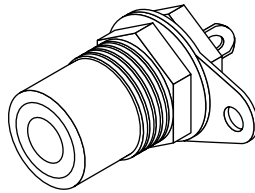


**Specifications:**

- Contact resistance: 30mΩ (max.)
- Insulation resistance: 100MΩ (min.) @ 500VDC
- Insulation withstand voltage: 500VAC for 1 minute
- Soldering heat test: withstand 270°C for 5 seconds

Your source for quality electronics. Toll-free full service

**(800) 346-6873**

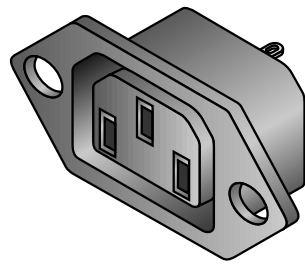


Dimensions (In.)

**Specifications:**

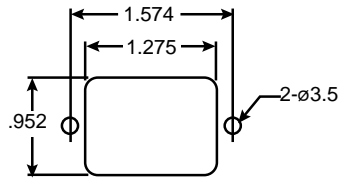
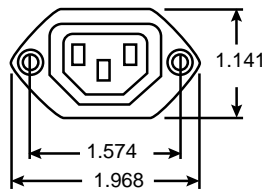
- Type: RCA rear chassis mounting, grounded jack
- Insulator color: black (16PJ035), red (161-0351)
- Body & nut: brass
- Ground lug & washer: steel
- Contact resistance: 30mΩ max.
- Insulation resistance: 50MΩ min.
- Withstand voltage: 500VAC for 1 minute



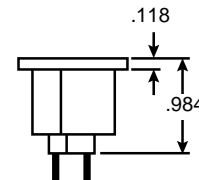
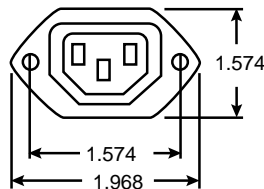


SEMKO

SEV



Dimensions (In.)

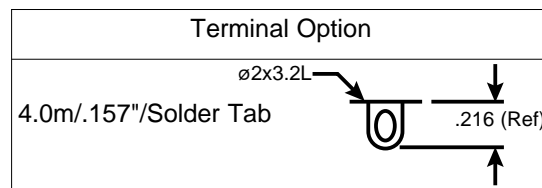


**Specifications:**

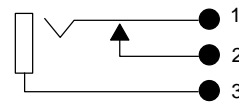
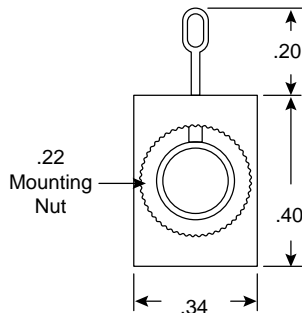
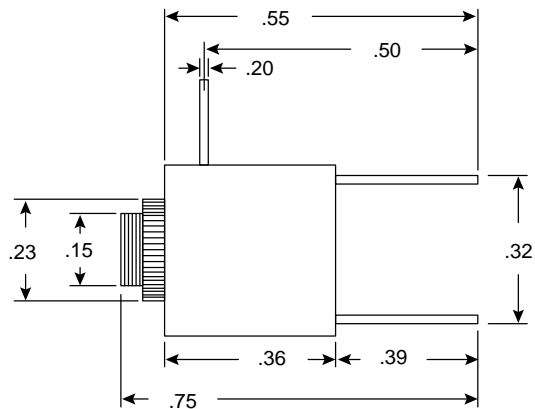
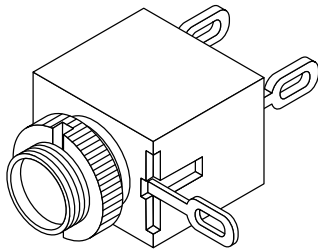
- Rating: 10A 250VAC
- Color: black
- Housing: thermoplastic, PBT with 30% glass fiber, Flammability classified 94-VO
- Terminal: copper alloy, tin plated

**Characteristics:**

- Insulation resistance: 100MΩ @ 500VDC
- Dielectric strength: 2000VAC (between terminals) 1 minute @ 0.5mA
- Operating temperature: -25°C to +85°C (max)
- Solderability: temperature of solder bath -- 235°C dipping time 3 ± 0.5 seconds
- Tightening torque of screw: 7 ~ 9kgfcm
- Pull force of terminal: 60 N (6.12kg)



Your source for quality electronics. Toll-free full service  
**(800) 346-6873**



Schematic

### Dimensions (In.)

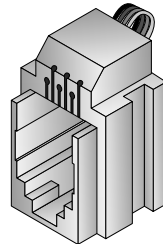
#### Specifications:

- Type: mono phone jack
- Housing: white ABS plastic
- Mounting hole: .25 inches
- Temperature rating: 185°C
- Contacts: nickel plated brass
- N/C switch w/spring
- Chassis mount
- Mechanical life: 5,000 cycles

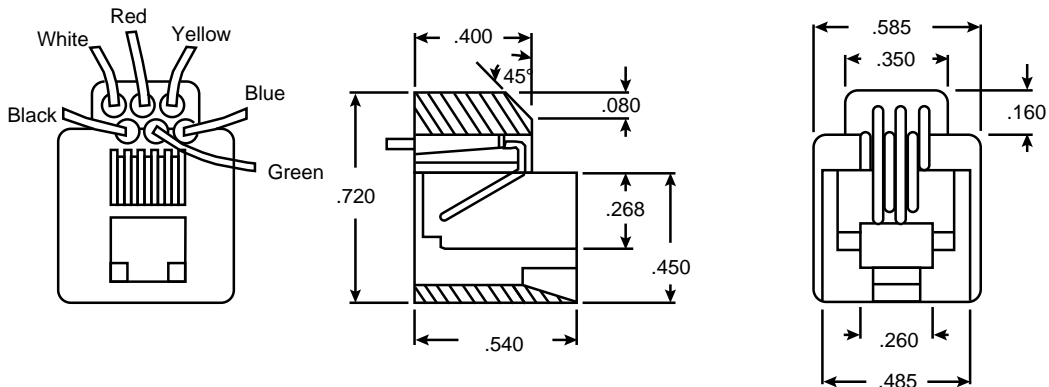
Your source for quality electronics. Toll-free full service

**(800) 346-6873**

<http://www.mouser.com>



### Dimensions (In.)

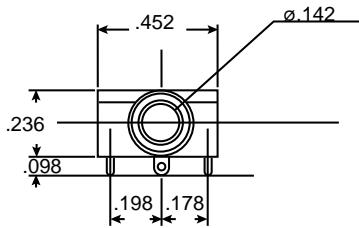
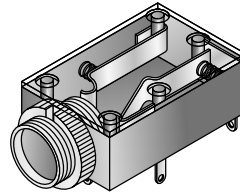


### Material Specifications:

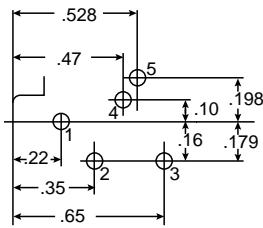
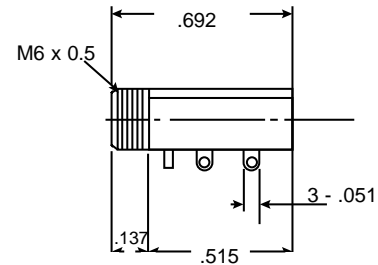
- Body: ABS U.L. 94V-0
- Contact material: phosphor bronze
- Contact plating: 6 micro inch gold over 50 micro inch nickel
- Lead wire: 4", 26 AWG with PVC insulation

Your source for quality electronics. Toll-free full service

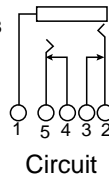
**(800) 346-6873**



Dimensions (In.)

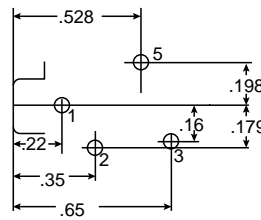


PCB Layout (Topview)

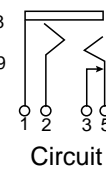


Circuit

161-3499

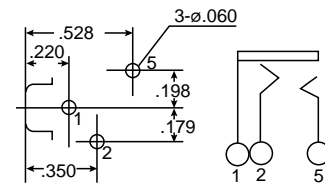


PCB Layout (Topview)

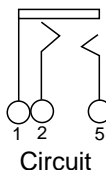


Circuit

161-3500



PCB Layout (Topview)



Circuit

161-3501

### Specifications:

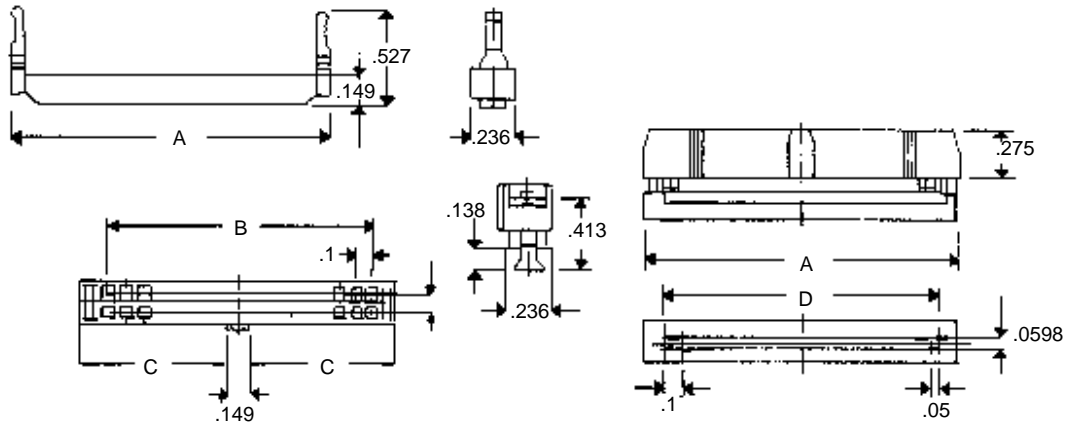
- Insulation resistance: more than 100M $\Omega$
- Contact resistance: less than 10m $\Omega$
- Withstand voltage: 250VAC for 1 minute
- Insertion / extraction force: 0.44-1.6 Kgs/cm. 0.4-1.2 Kgs
- Life time: 10,000 cycle
- Heat test: 5 hours / 60°C
- Life test: 10,000 cycles
- Bushing: nickel plated brass
- Body: noril
- Contact (material): silver plated phosphor bronze

161-3499	Stereo, hi-rel, black plastic, 2-SPST N/C switch, with nut
161-3500	Stereo, hi-rel, black plastic, 1-SPST N/C switch, with nut
161-3501	Stereo, hi-rel, black plastic, open circuit, with nut

Your source for quality electronics. Toll-free full service

**(800) 346-6873**

### Dimensions (In.)



#### Specifications:

- Contacts: Phosphor bronze
- Contact finish: Gold plated over nickel
- Insulator: PBT & glass fiber reinforced (UL94V-0)
- Flat cable wire size: 1.27mm (.050") spacing  
AWG #28 (stranded) or #30 (solid)

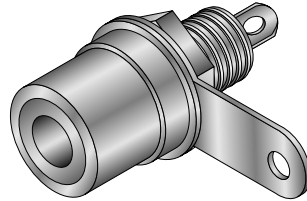
#### Electrical Specifications:

- Current rating: 1 Amp DC
- Contact resistance: 30mΩ @ 6VDC, 0.3A
- Insulation resistance: 1000MΩ @ 500VDC
- Dielectric breakdown: 500VAC for 1 minute

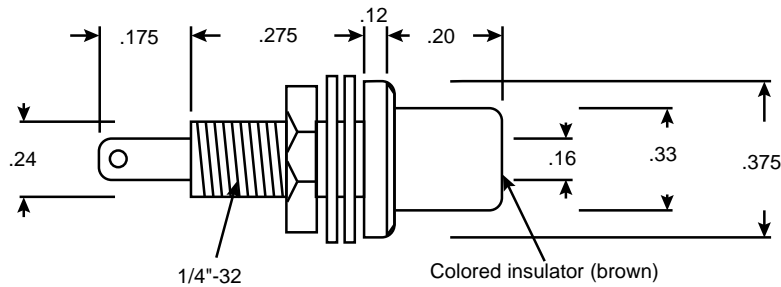
Mouser Stock No.	No. of Contacts	Dimensions (In.)			
		A	B	C	D
164-9001	20	1.17	.9	.51	.95
164-9002	26	1.47	1.2	.66	1.25
164-9003	34	1.87	1.6	.86	1.65
164-9004	40	2.17	1.9	1.01	1.95
164-9005	50	2.67	2.4	1.26	2.45

Your source for quality electronics. Toll-free full service

**(800) 346-6873**



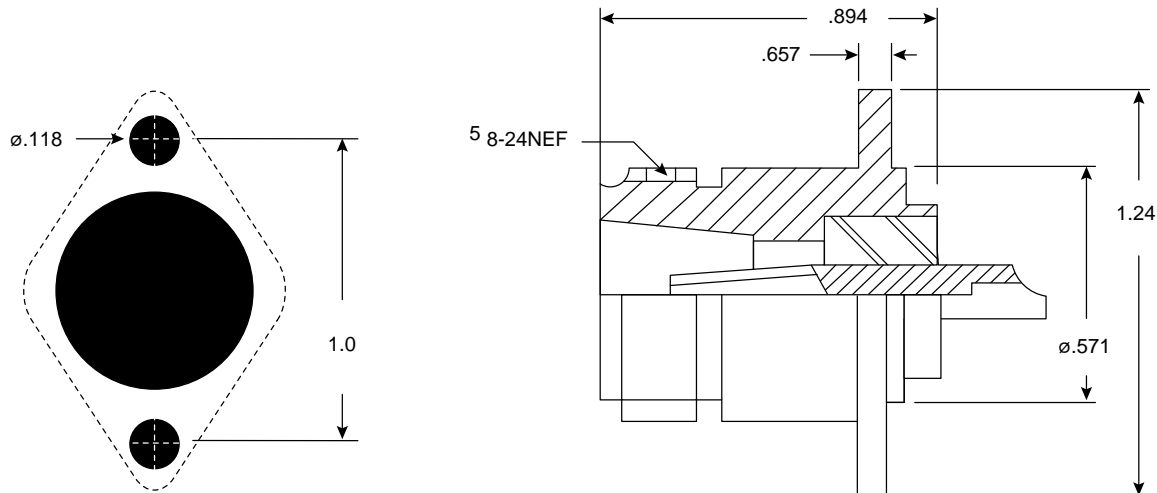
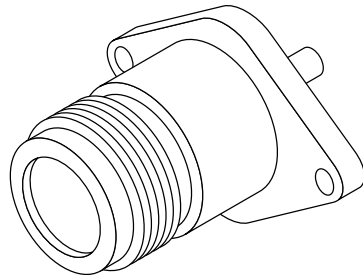
### Dimensions (In.)



### Specifications:

- Contact resistance: 50m $\Omega$  (max.)
- Insulation resistance: 100M $\Omega$  (min.) @ 500VDC
- Withstand voltage: 500VDC for 1 minute
- Finish: brass plated
- Insulation material: polyoximethylene (POM)

Your source for quality electronics. Toll-free full service  
**(800) 346-6873**



Dimensions (In.)

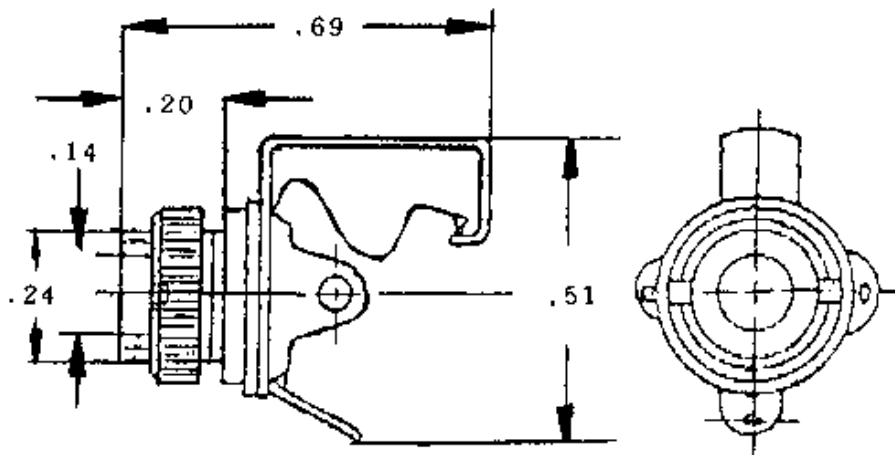
#### Specifications:

- Voltage rating: 500VAC
- Withstanding voltage: 1,000VAC for 1 minute
- Insulation resistance: 1,000M $\Omega$  @ 500VDC
- Contact resistance: 30m $\Omega$  (max.) @ 1A DC
- Frequency range: 0-4,000MHz
- VSWR: 1.2 (max.) 0-4GHz
- Shell & coupling nut: nickel plated brass
- Male contact: silver plated brass
- Female contact: silver plated beryllium Cu
- Insulator: delrin

Your source for quality electronics. Toll-free full service

**(800) 346-6873**

<http://www.mouser.com>



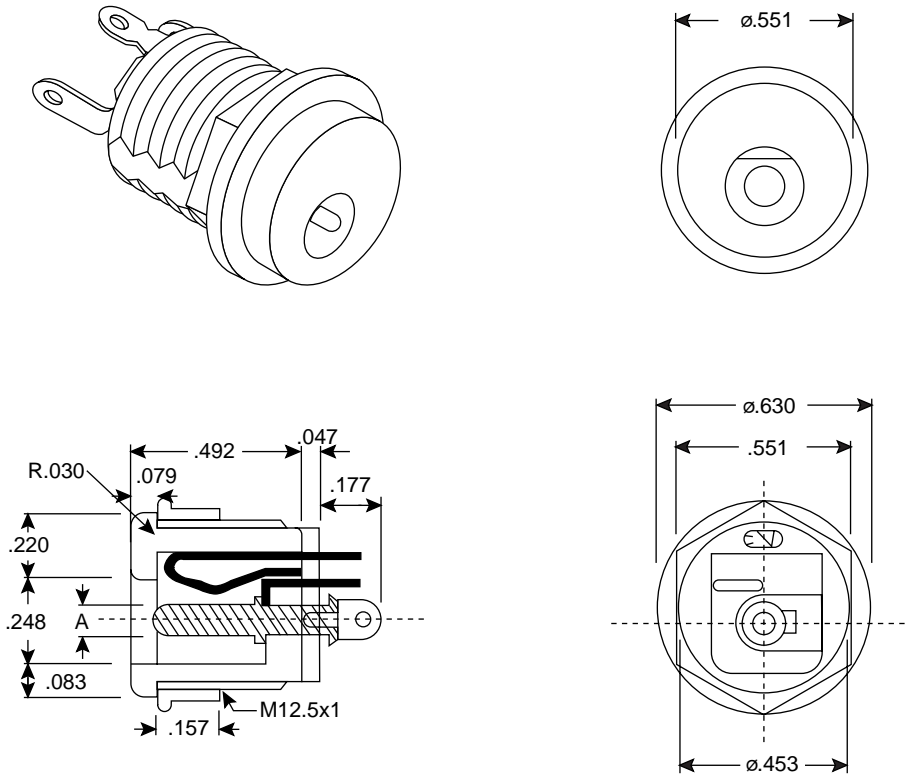
Contact Resistance:	< 20 mOhm
Insulation Resistance:	100 m Ohm at 250 V DC
Withstand Voltage:	AC 250 V for 1 minute
Material Construction:	brass, silver, nickel plated

Your source for quality electronics. Toll-free full service

**(800) 346-6873**

<http://www.mouser.com>



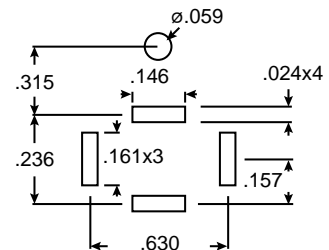
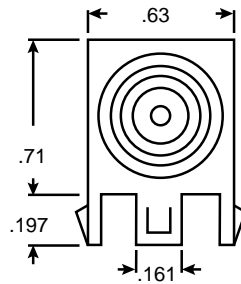
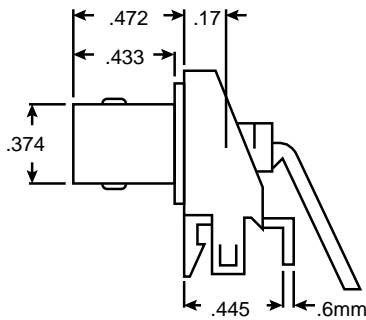


### Dimensions (In.)

#### Specifications:

- Pin size (A):  $\varnothing 2\text{mm}$ (163-4302),  $\varnothing 2.35$ (163-4303)
- Contact resistance: 30m $\Omega$  max.
- Insulation resistance: 100M $\Omega$  min. @ 250VDC
- Breakdown voltage: 250VAC for 1 minute
- Rated current: 0.5A @ 12/24V
- Body: ABS
- Pin: nickel plated brass
- Contact spring: silver plated copper/zinc/aluminum alloy
- Terminals: silver plated brass
- Insulator: Phenol 94HB
- Nut: Polyimid

### Dimensions (In.)



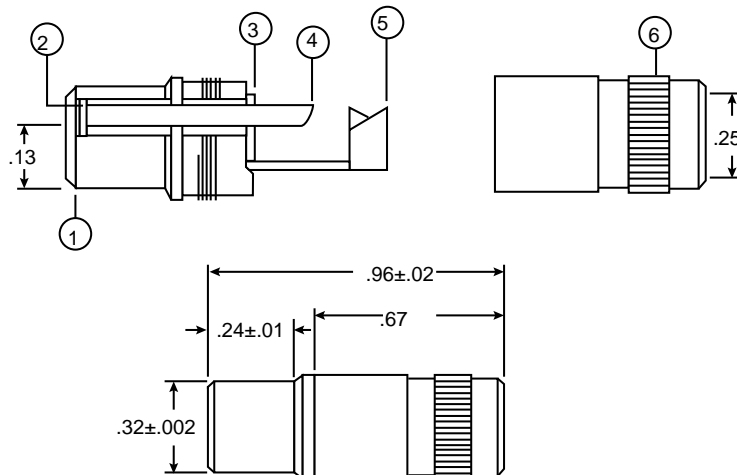
### Material Specifications:

- Material: brass
- Insulation: delrin

Your source for quality electronics. Toll-free full service

**(800) 346-6873**

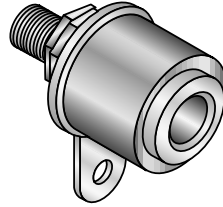
### Dimensions (In.)



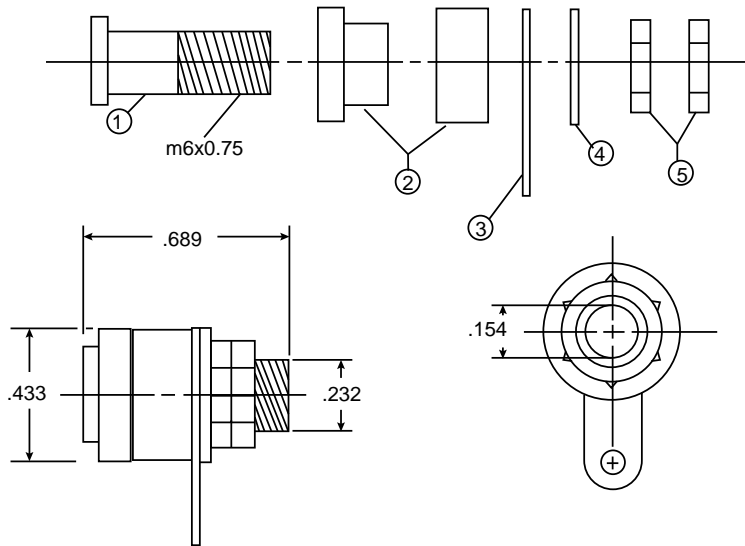
### Specifications:

- Insulation resistance: Min. 100M $\Omega$  @ 500VDC
- Contact resistance: Max. 10m $\Omega$
- Withstand voltage: 500VAC for 1 minute
- Materials: 1. Body: Nickel plated brass  
2. Insulator: Duracon  
3. Insulator: ABS  
4. Terminal: Nickel plated brass  
5. Terminal: Nickel plated brass  
6. Cap: Nickel plated brass

Your source for quality electronics. Toll-free full service  
**(800) 346-6873**



### Dimensions (In.)



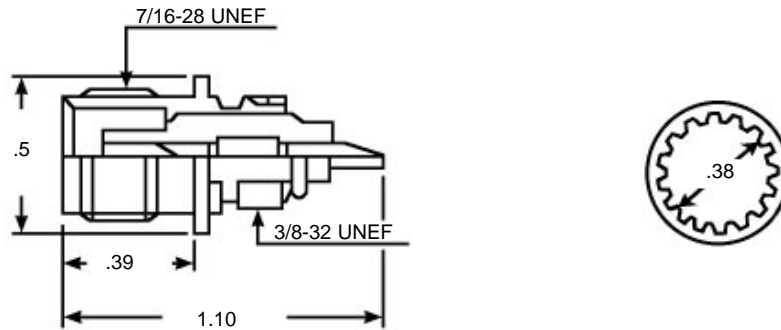
#### Specifications:

- Voltage rating: 125VAC 5A max.
- Breakdown voltage: 300VAC-1000VDC

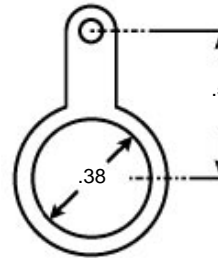
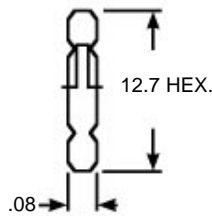
#### Material Specifications:

1. Body: nickel plated brass
2. Molded body: ABS plastic
3. Solder Lug: nickel plated steel
4. Washer: nickel plated steel
5. Nut: nickel plated brass

Your source for quality electronics. Toll-free full service  
**(800) 346-6873**



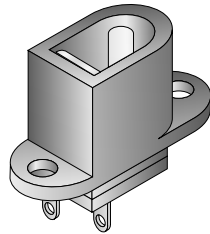
Dimensions (In.)



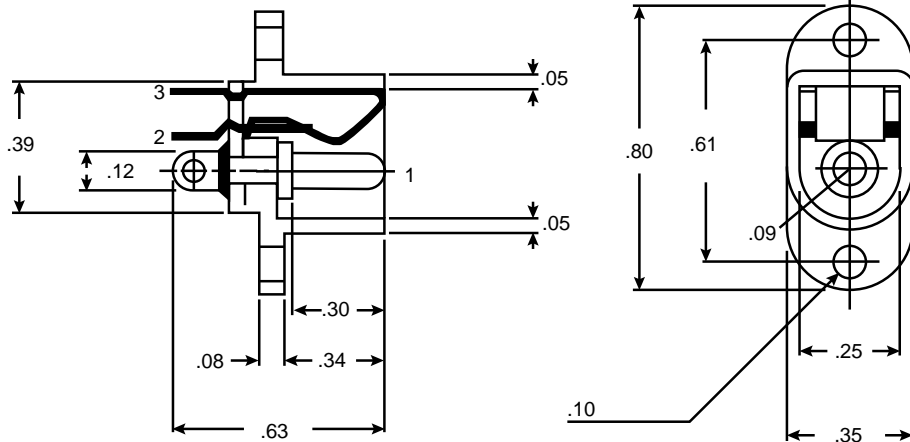
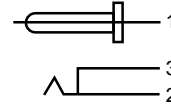
**Features:**

- Nickel plated pins
- Delrin insulators
- Compatible with comparable industry types
- For instrumentation, medical equipment

Your source for quality electronics. Toll-free full service  
**(800) 346-6873**



Dimensions (In.)

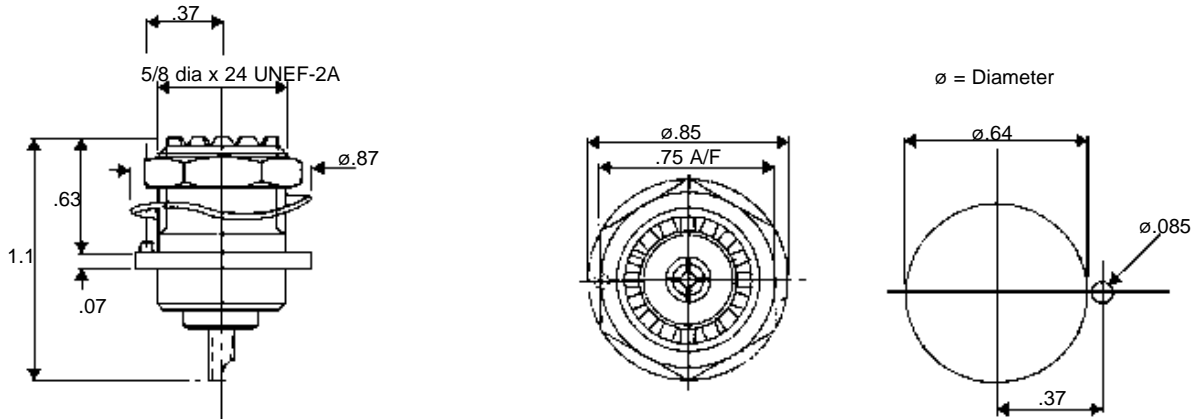


**Specifications:**

- Contact resistance: 50mΩ max.
- Insulation resistance: 100MΩ @ 500VDC
- Withstand voltage: 500VAC for 1 minute

Your source for quality electronics. Toll-free full service  
**(800) 346-6873**

## Dimensions (In.)



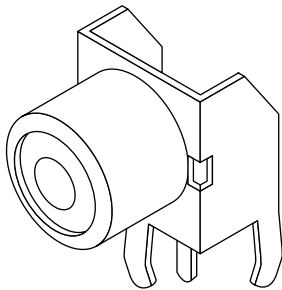
### Features:

- Working frequency: 200MHz max. exceptional application up to 500MHz
- Working voltages: 1kv peak
- Temperature range: -55°C to +155°C
- Cable retention-crimp: 140-270 Newtons min. depending on size of cable
- Panel thickness: .08" min. - .16" max.
- Solder bucket:  $\phi .10$ " wire entry / inner conductor
- 16 Equi-spaced castellations

### Materials:

- Body & Center contacts: Brass to BS 23874
- Insulation: P.T.F.E.
- Gaskets: Silicone rubber
- Plating-bodies & center contacts: Silver plated to DTD 919 Argalin treated

Your source for quality electronics. Toll-free full service  
**(800) 346-6873**

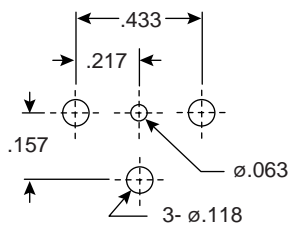
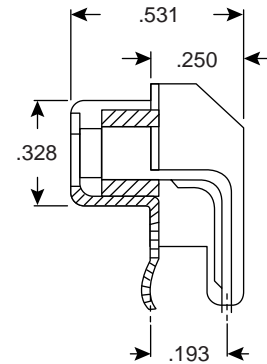
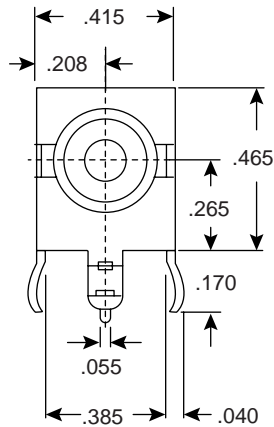


161-4213 Brown Insulator

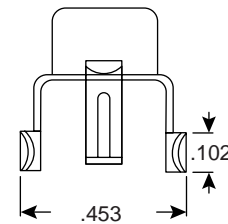
161-4216 Black Insulator

161-4217 Brown Insulator

### Dimensions (In.)



Mounting Hole



Top View

### Specifications:

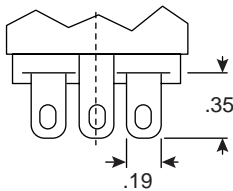
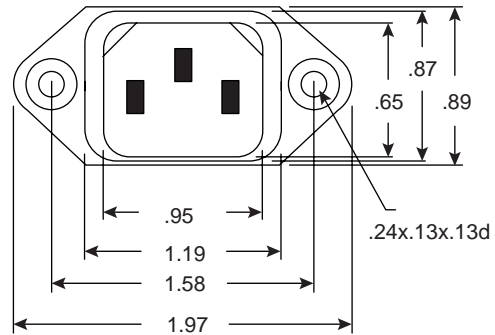
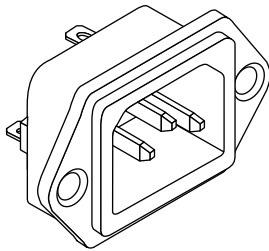
- Type: PCB mount
- Shell plating: 161-4213 & 161-4216 nickel, 161-4217 gold
- Contact: tin plated brass
- Insulator: phenolic
- Washer: linen
- Initial insertion: 12 lbs (max) w/  $\varnothing$  .128  $\pm$  .0002 pin
- Retention: 3oz (min) w/  $\varnothing$  .1235  $\pm$  .0002 after sizing 3 times w/  $\varnothing$  .128  $\pm$  .0002 pin
- Temperature rating: 200°C

Your source for quality electronics. Toll-free full services

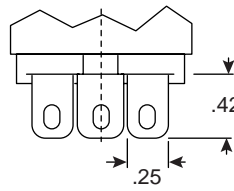
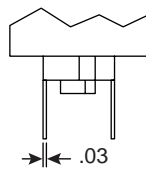
**(800)346-6873**

<http://www.mouser.com>

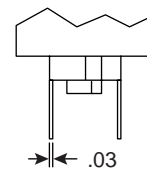




16PJ152  
with 187 faston term

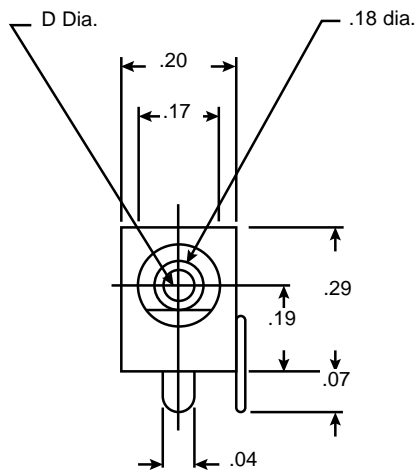
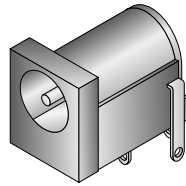


16PJ153  
with 250 faston term

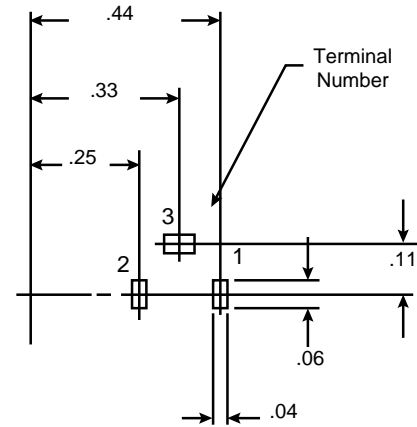
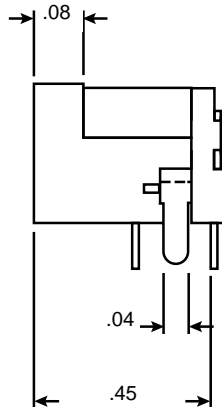


**Specifications:**

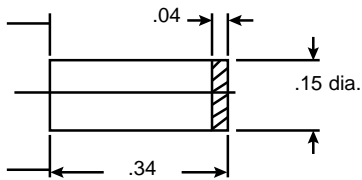
- Material: PBT
- Rating: 15A 250VAC (UL, CSA), 10A 250VAC (VDE)
- Insulation resistance: 500VDC, 100MΩ or more
- Withstand voltage: 2000VRMS 50/60 Hz for 1 minute
- UL No: E68036
- CSA No: 55180
- VDE No: 62454



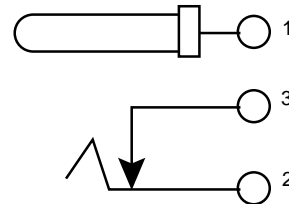
Dimensions (In.)



Hole Layout  
(Bottom View)



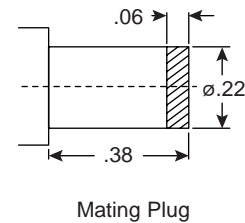
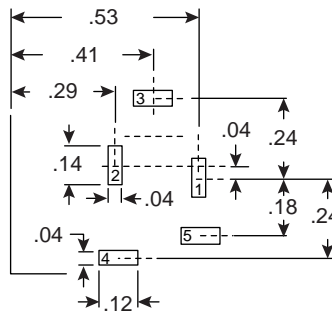
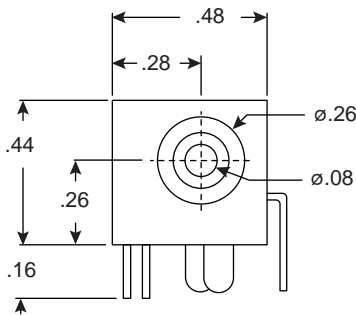
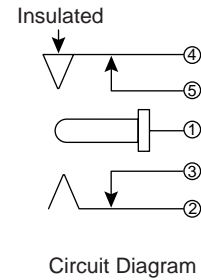
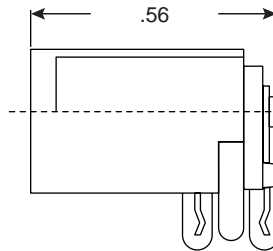
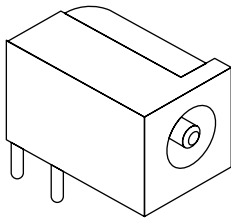
Mate Plug



Schematic

**Material Specifications:**

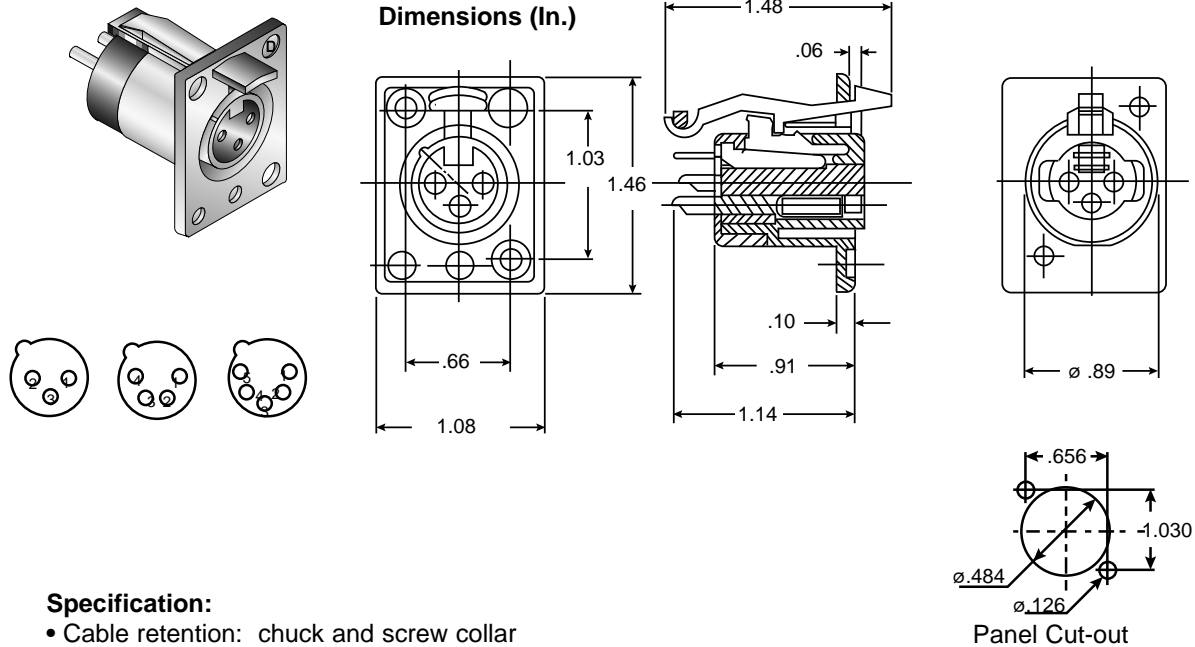
- Nylon: UL 94HB
- Flammability: 230°C (3 seconds)
- D Dia.: (161-100) 1  
(161-201) 1.3



### Dimensions (In.)

### Specifications:

- Type: PC mount, molded with 2-SPDT switches
- Center pin dimensions: .093" x .295"
- Contact resistance: 30m $\Omega$  max.
- Insulation resistance: 50M $\Omega$  min.
- Withstanding voltage: 500VAC for 1 minute
- Current rating: 2A @ 12VDC

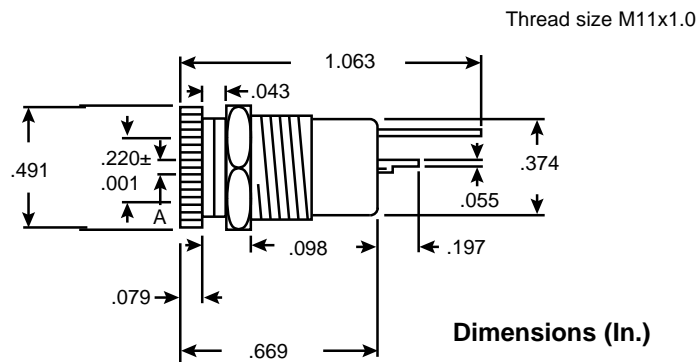
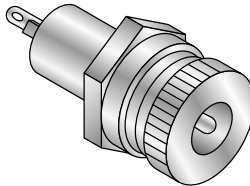


**Specification:**

- Cable retention: chuck and screw collar
- Cable range: 2.8mm to 8.0mm diameter
- Housings: zinc high pressure die-castings satin nickel/black chrome finish
- Contacts bases: noryl (U.L. 94 V-1)
- Contacts: solid brass turned .3 microns silver plated or .5 microns gold plated
- Latch: zinc high pressure die-castings satin nickel/black chrome finish
- Strain relief: santoprene (U.L. 94 H.B.)
- Sealing rings: santoprene (U.L. 94 H.B.)
- Chuck: acetal (U.L. 94 H.B.)
- Screw collar: zinc high pressure die-castings satin nickel/black chrome finish
- Wiring: solder buckets
- Earthing: spring steel tag 3 microns silver plated and anti-tarnish finish
- \* Identification buttons: acetal (U.L. 94 H.B.)
- Identification options: yellow, brown, blue, green, red, white, black and clear
- Operating temperature: -30°C to +80°C
- Insertion force: ≤ 20N
- Withdrawal force: ≤ 10N
- Rated voltage: 250VAC
- Test voltage: 1500VAC
- Contact resistance: 3mΩ
- Insulation resistance: 1GΩ
- \* Sold separately

Mouser Stock No.	No. Pins	Housing	Contacts	Current Rating (A)	Max Wire AWG	Cap (pf)
164-7133	3	Nickel	Silver	16	12	4
164-7134	4	Nickel	Silver	10	13	7
164-7135	5	Nickel	Silver	7.5	18	7
164-7233	3	Black	Silver	16	12	4
164-7234	4	Black	Silver	10	16	7
164-7235	5	Black	Silver	7.5	18	7
164-7143	3	Nickel	Gold	16	12	4
164-7144	4	Nickel	Gold	10	16	7
164-7145	5	Nickel	Gold	7.5	18	7
164-7243	3	Black	Gold	16	12	4
164-7244	4	Black	Gold	10	16	7
164-7245	5	Black	Gold	7.5	18	7

**Your source for quality electronics. Toll-free full service  
(800) 346-6873**



A I.D. 163-4021 - 2.0mm (.079±.001)  
163-4025 - 2.5mm (.093±.001)

**Material Specification:**

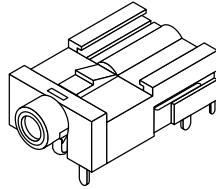
- L lug: brass
- Insulator: delrin
- Contact pin: brass
- Spring: phosphor bronze
- Nut: brass
- Body: brass
- Finish: nickel plated

**Electrical Specifications:**

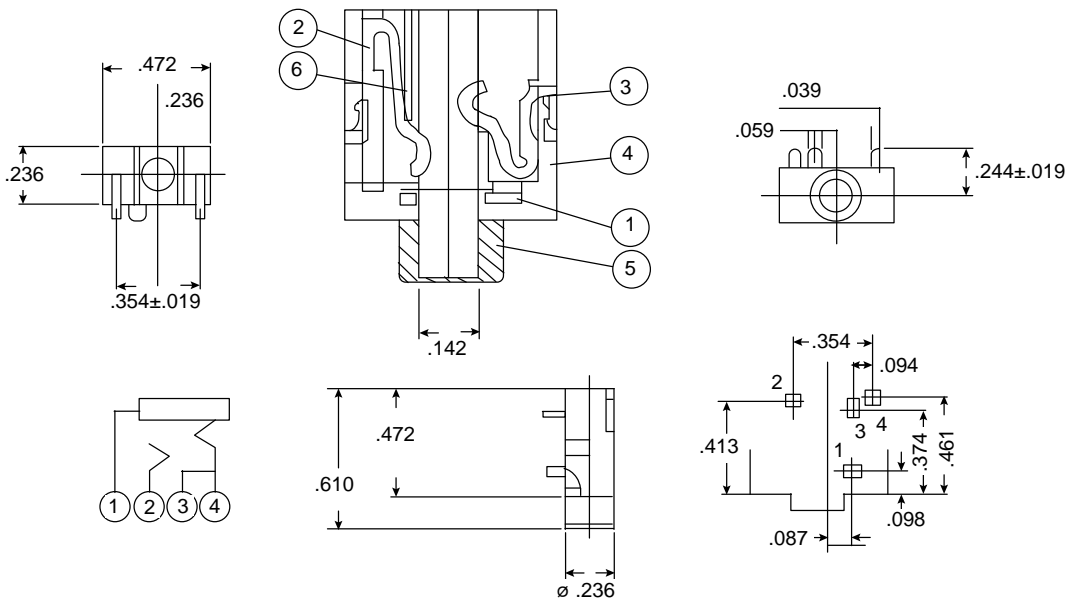
- Dielectric strength: 500VAC
- Insulation resistance: 100MΩ min. @ 500VDC
- Contact resistance: 50mΩ max.
- Power rating: 100VDC @ 2A

Your source for quality electronics. Toll-free full service

**(800) 346-6873**



**Dimensions (In.)**



**Specification:**

- Contact resistance: 30m $\Omega$  Max.
- Insulation resistance: 50M $\Omega$  @ 100VDC
- Breakdown voltage: 250VAC for 1 minute
- Flammability: 94 HB
- Life cycle: 5000 insertions

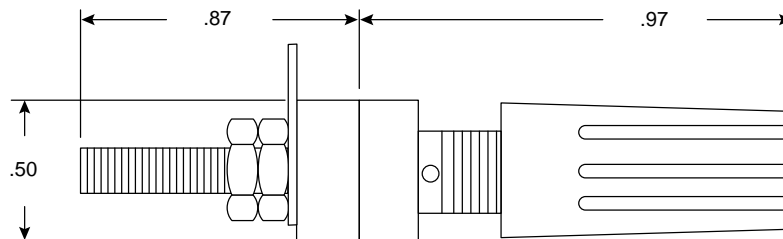
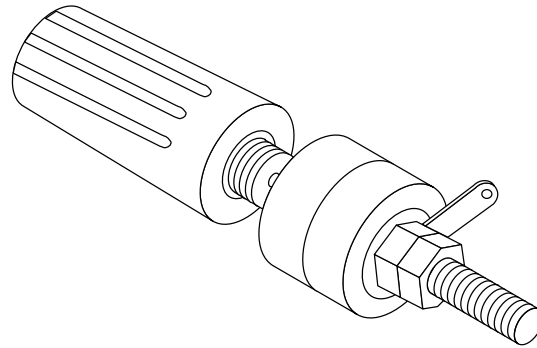
Tolerance  $\pm$  0.3 (w/o Indication)

1	Contact A	1	Silver Plated
2	Contact B	1	Silver Plated
3	Contact C	1	Silver Plated
4	Case	1	Ploycarbonate
5	Sleeve	1	Nickel Plated
6	Terminal	1	Silver Plated

Your source for quality electronics. Toll-free full service

**(800) 346-6873**

<http://www.mouser.com>



Dimensions (In.)

**Specifications:**

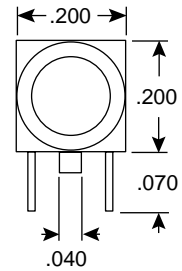
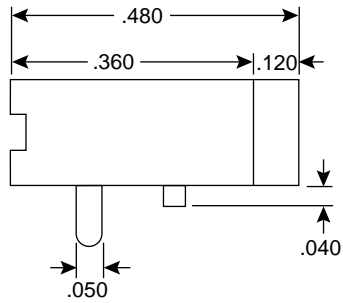
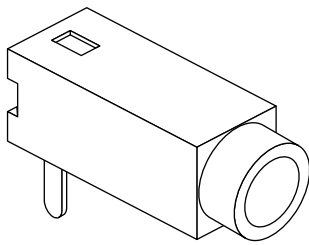
- Rated voltage: 1,000V
- Rated current: 30A
- Contact resistance: 10m $\Omega$  (max.)
- Socket: 4mm
- Binding post material: acetal plastic
- Standard terminal: threaded termination
- Accepts standard banana plugs
- Included hardware: 2 nickel plated nuts, 1 solder terminal
- Available in 6 colors:

164-4201 (black)	164-4204 (green)
164-4205 (red)	164-4206 (white)
164-4202 (blue)	164-4207 (yellow)

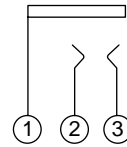
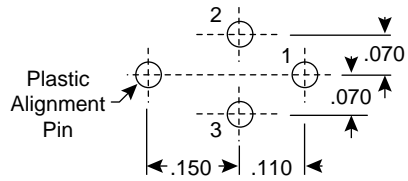
Your source for quality electronics. Toll-free full service

**(800) 346-6873**

<http://www.mouser.com>



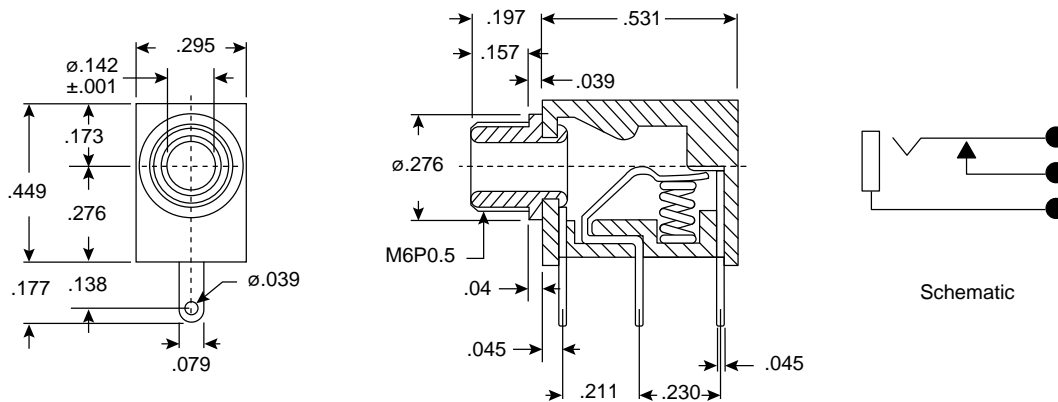
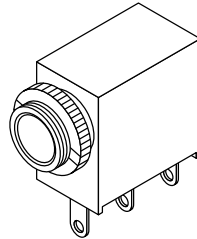
**Dimensions (In.)**



**Specifications:**

- Type: 2.5mm, PCB mono phone
- Contact resistance: 30mΩ max. @ 1A
- Insulation resistance: 100MΩ min.@ 500VDC
- Breakdown voltage: 250VAC for 1 minute
- Body material: Noril





**Dimensions (In.)**

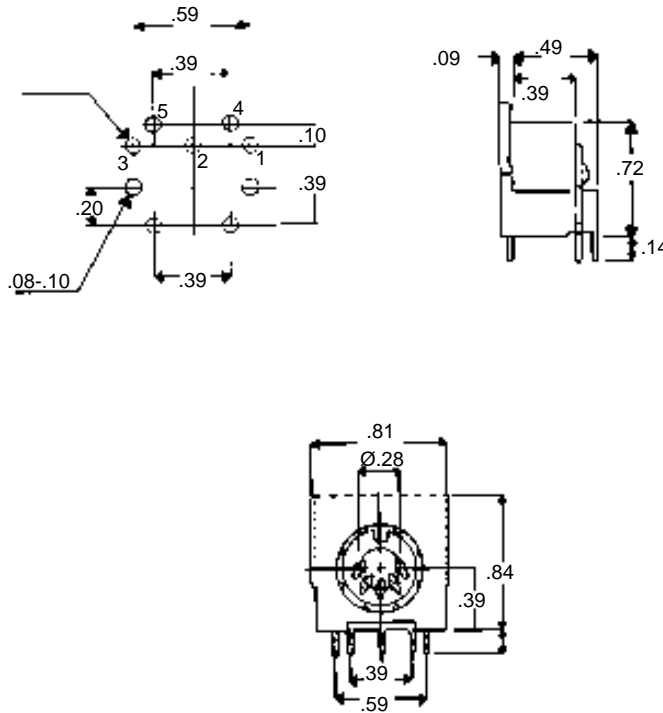
**Specifications:**

- Type: Hi-Rel, 3.5mm mono with N/C switch, PCB mount
- Housing material: plastic
- Spring wire: steel
- Contacts: silver plated brass
- Insulator: polycarbonate
- Contact resistance: 30mΩ (max.)/ 1A
- Insulation resistance: 50mΩ (min.) @500VDC
- Insulation withstand voltage: 250VAC for 1 minute
- Insulation & extraction force: 0.8~2Kgs
- Heat test: 5 hrs @ 60°C
- Life test: 10,000 cycles
- Included hardware: knurled nut

Your source for quality electronics. Toll-free full service

**(800) 346-6873**

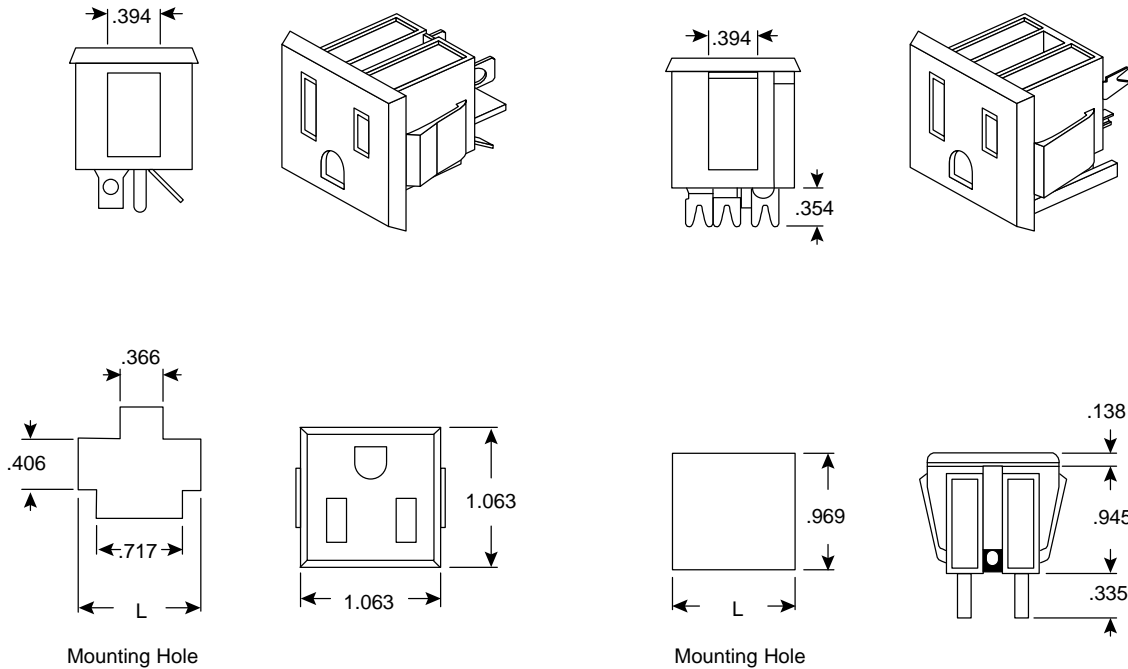
<http://www.mouser.com>



### Specification

- Insulation resistance: 100M $\Omega$  at 500VDC
- Dielectric strength: 1,000VAC / 1 minute
- Contact resistance: 20m $\Omega$  maximum
- Rating: 100VAC 2A

Your source for quality electronics. Toll-free full service  
**(800) 346-6873**



161-0709  
Dimensions (In.)

161-0709-1  
Dimensions (In.)

Dimensions (In.)	
Panel Thickness	L
.031	.945
.040	.969
.050	.992
.063	1.031

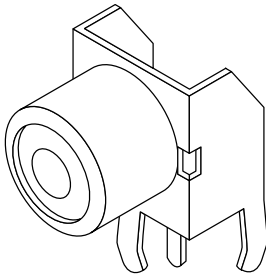
**Specifications:**

- Type: snap-in mount
- Housing: thermoplastic, nylon 66, flammability classified on request 94-V0 or 94-V2
- Terminal: tin plated copper alloy
- Rating: 15A @ 125VAC
- Insulation resistance: >2000VAC (between terminals) 1 minute @ 0.5mA
- Operating temperature: -25°C ~ +85°C (max.)
- Solderability: temperature of solderbath --235°C, dipping time 3±0.5 seconds
- Pull force of terminal: >5Kgf
- Terminal type: 161-0709 solder tab/.187" faston, 161-0709-1 V-slotted
- UL approved: EI01351(S)
- CSA approved: 63196

Your source for quality electronics. Toll-free full service.

**(800) 346-6873**

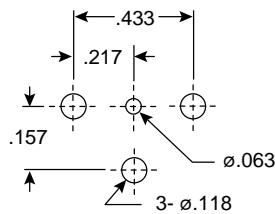
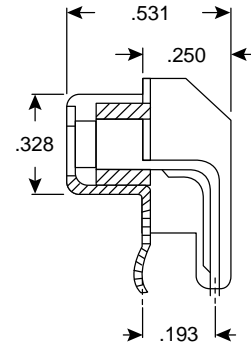
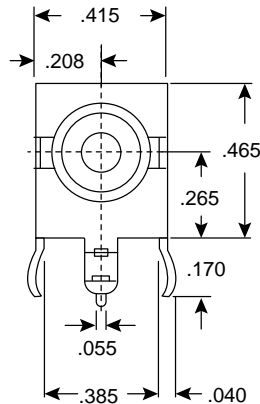
<http://www.mouser.com>



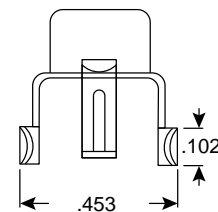
161-4214 White Insulator

161-4215 Red Insulator

**Dimensions (In.)**



Mounting Hole



Top View

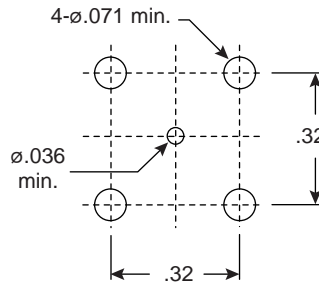
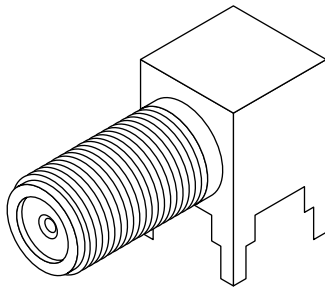
**Specifications:**

- Type: PCB mount
- Shell: nickel plated steel
- Contact: tin plated brass
- Plating: 2 microns nickel
- Insulator: ABS
- Washer: linen
- Initial insertion: 12 lbs (max) w/  $\varnothing .128 \pm .0002$  pin
- Retention: 3oz (min) w/  $\varnothing .1235 \pm .0002$  after sizing 3 times w/  $\varnothing .128 \pm .0002$  pin
- Temperature rating: 70°C
- Tolerance: 3PI.decimal  $\pm .005$ ; 2PI. decimal  $\pm .010$
- Recommended cleaning solvent: alcohol

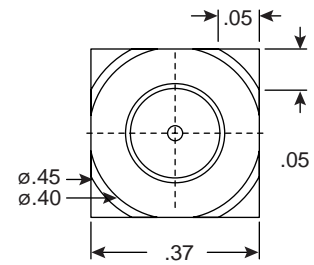
Your source for quality electronics. Toll-free full services

**(800)346-6873**

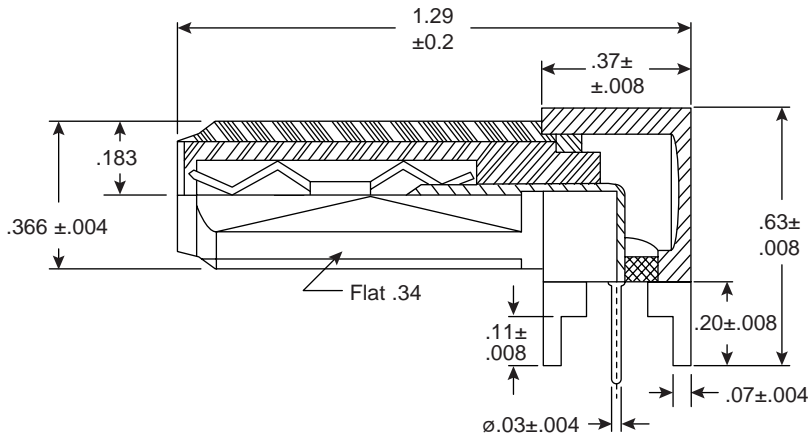
<http://www.mouser.com>



Mounting Hole



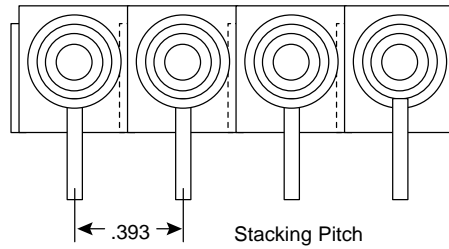
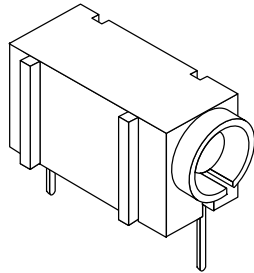
Housing Base



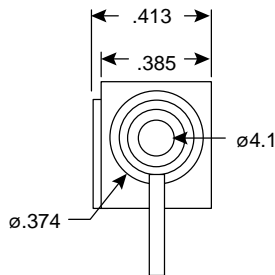
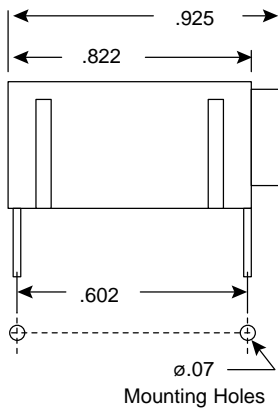
**Dimensions (In.)**

**Specifications:**

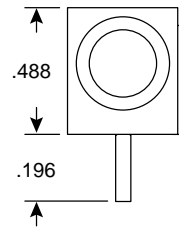
- Type: F-61 PC mount receptacle, right angle
- Body, pin, & chassis material: nickel plated brass
- Insulation: delrin
- Bobbin: PP + brass
- Maximum torque (for retaining nut): 13" pounds
- Standard mating types: F-59, CF-59, F-56, CF-56
- Thread type: 3/8"-32UNF



### Dimensions (In.)



Front View



Back View

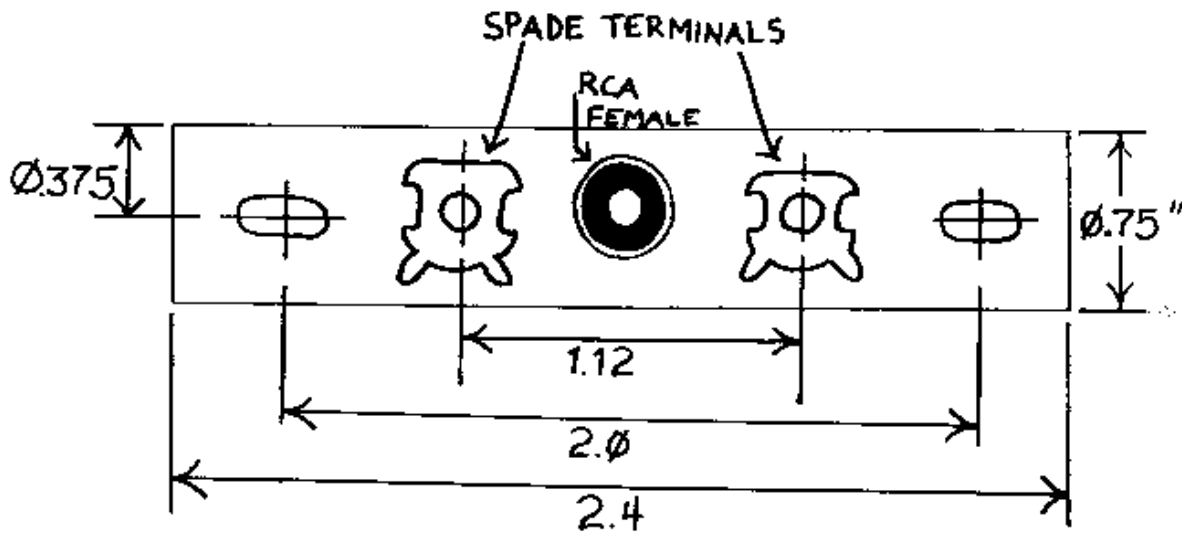
### Specifications:

- Type: single printed circuit board socket
- Color: 164-6218 (Black), 164-6219 (Red)
- Housing: acetal plastic
- Pins & bush: silver plated brass
- Current rating: 10A

Your source for quality electronics. Toll-free full service.

**(800) 346-6873**

<http://www.mouser.com>



TERMINAL SCREWS INCLUDED

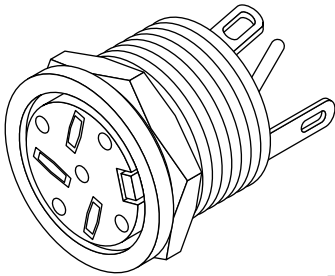
BOARD THICKNESS: 0.079"

BOARD ABS (BLACK)  
SCREWS & TERMINALS NICKEL PLATED BRASS

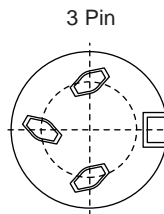
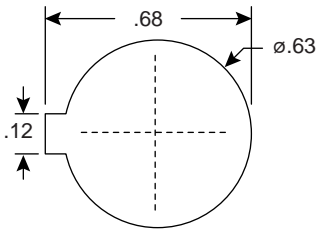
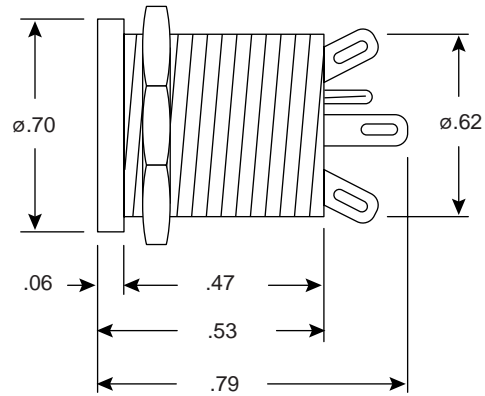
Your source for quality electronics. Toll-free full service

**(800) 346-6873**

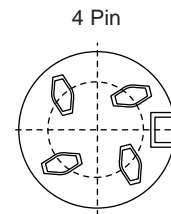
<http://www.mouser.com>



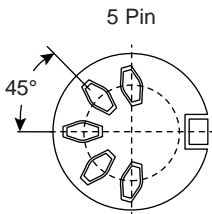
Dimensions (In.)



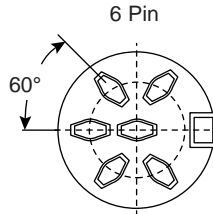
16HR653



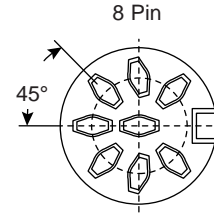
16HR654



16HR655



16HR656



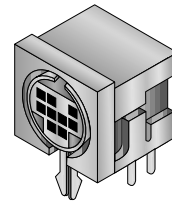
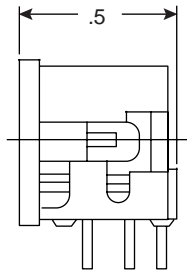
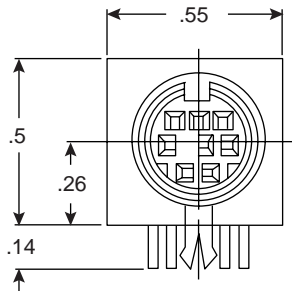
16HR658

**Specification:**

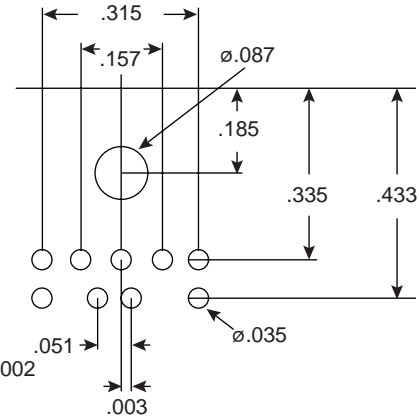
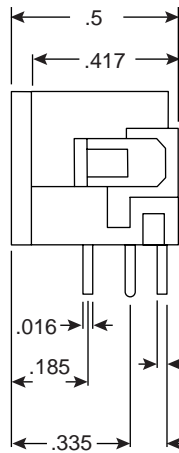
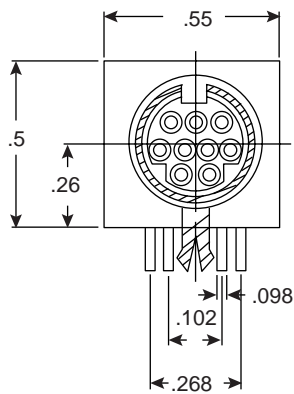
- Working voltage: 100VDC or AC peak
- Test voltage: 1000VDC
- Current rating: 4A
- Insulation resistance:  $10^{11}\Omega$  min @ 100VDC
- Contact resistance: 10m $\Omega$  max

- Capacity (mated): 3pF
- Temperature range: -25°C ~ +70°C
- Housing: zinc alloy with bright nickel finish or matt black plated
- Pin base mouldings: nylon
- Contacts: silver plated brass





Dimensions (In.)



**Specifications:**

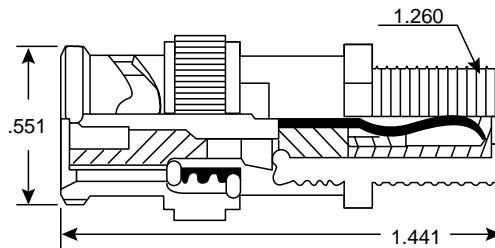
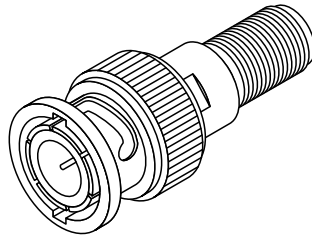
- Rating: 100VAC 1A max or 12VDC 2A max
- Insulation resistance: 50mΩ min @ 250VDC
- Dielectric strength: 250VAC / 1 minute
- Contact resistance: 30mΩ max
- Insertion force: 4.5Kg max
- Withdrawal force: 0.9Kg ~ 3Kg
- Dim. E: .087"

Arrangement of Contacts							
No of Contacts	3	4	5	6	7	8	9
Mouser Stock No.	161-2203	161-2204	161-2205	161-2206	161-2207	161-2208	161-2209
Hole Layout							

Your source for quality electronics. Toll-free full service

**(800) 346-6873**

<http://www.mouser.com>



### Dimensions (In.)

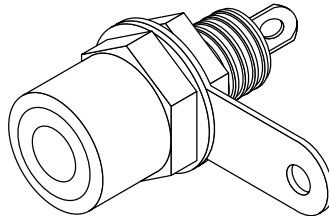
#### Specifications:

- Type: "F" jack to BNC plug
- Body & center pin: nickel plated brass
- Insulation (BNC): delrin
- Insulation (F): Polyethelene (PE)
- For instrumentation, medical equipment

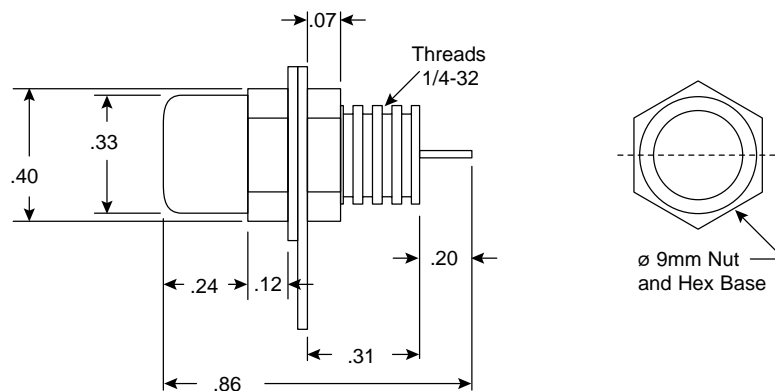
Your source for quality electronics. Toll-free full services

**(800)346-6873**

<http://www.mouser.com>



### Dimensions (In.)



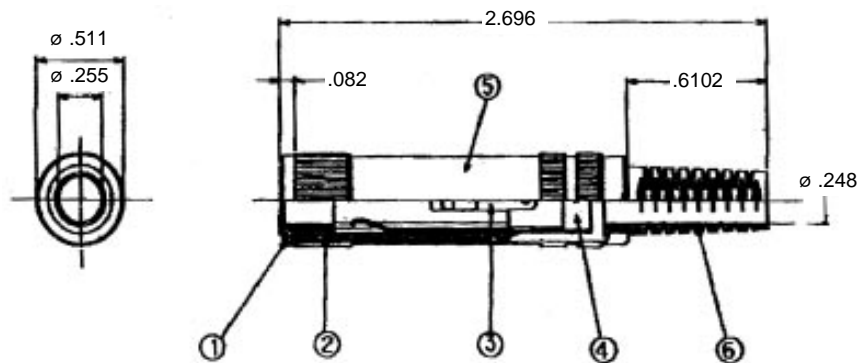
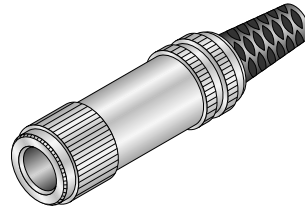
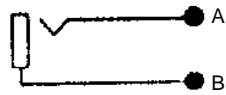
### Specifications:

- Insulation resistance: 100M $\Omega$  or more @ 500VDC
- Contact resistance: 10m $\Omega$  or less
- Withstand voltage: 500VAC for 1 minute
- Body, nut, washer, & lug: nickel plated brass
- Insulator: duracon (red)
- Tightness torque: 12Kgs (max)

Your source for quality electronics. Toll-free full service

**(800) 346-6873**

<http://www.mouser.com>

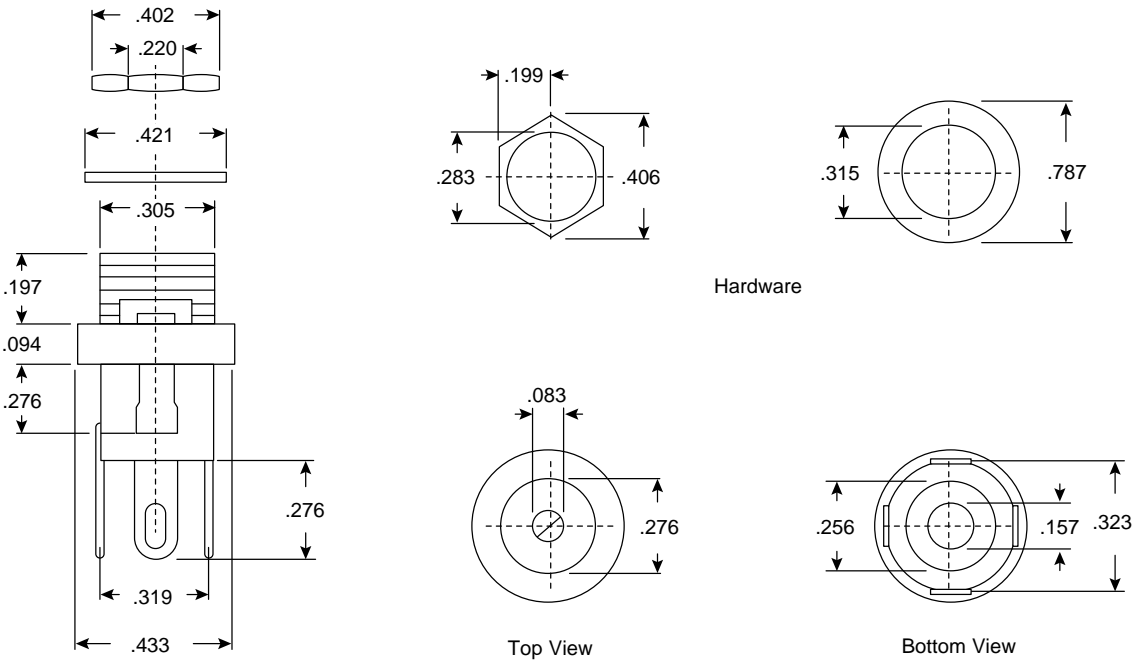


**Specifications:**

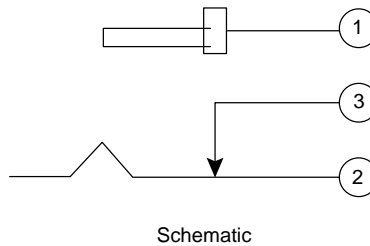
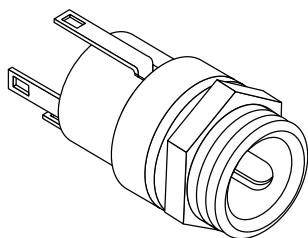
- Mono, shielded with black strain relief
- Breakdown voltage: 250VAC for one minute
- Insulation resistance: 50HΩ at 100VDC

	Part name	Material finish
1	Metal sleeve	Nickel-Plated
2	Body	PPO
3	Contact A	Nickel-plated
4	Contact B	Nickel-plated
5	Cap	Nickel-plated
6	Cable Protector	PVC

Your source for quality electronics. Toll-free full service  
**(800) 346-6873**



**Dimensions (In.)**



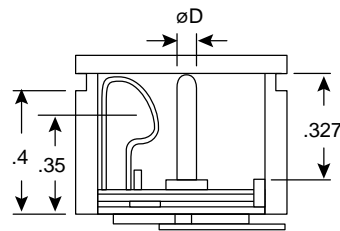
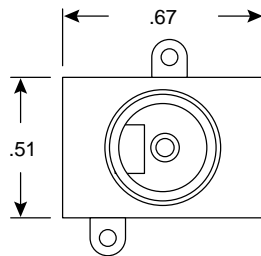
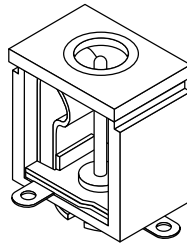
**Specifications:**

- Type: 2.1mm, split pin w/NC switch; chassis/panel mount
- Mating plug O.D.: 5.5mm
- Center pin: length = .079 inches, depth = .315 inches
- Body: delrin
- Thread: nickel plated brass
- Terminal: silver plated brass
- Center pin: silver plated brass
- Contact spring plate: silver plated phosphor bronze

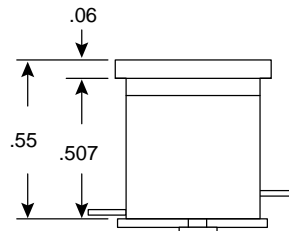
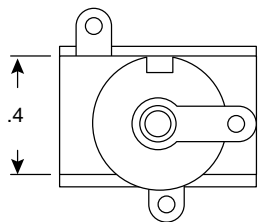
Your source for quality electronics. Toll-free full services

**(800)346-6873**

<http://www.mouser.com>



### Dimensions (In.)



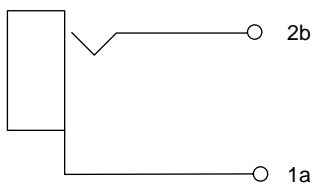
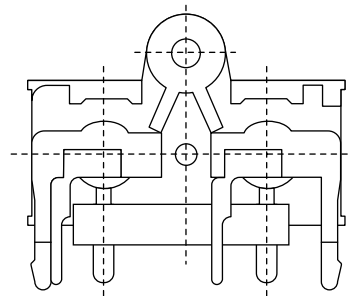
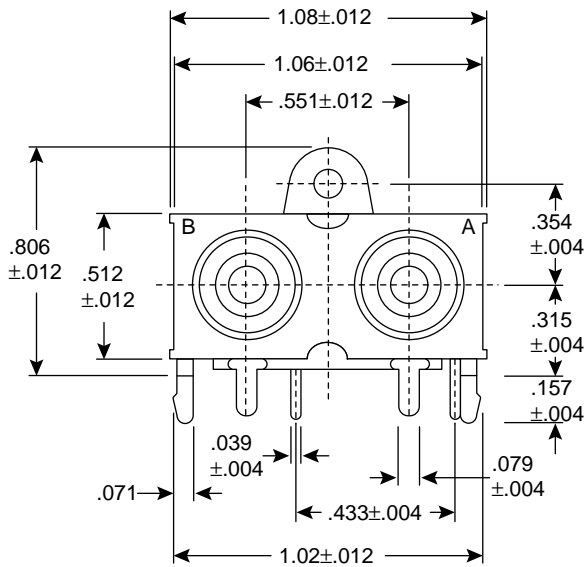
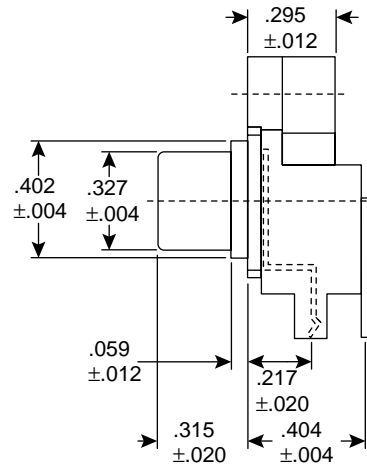
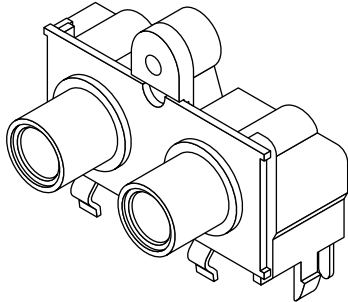
### Specifications:

- Dimension (øD): 163-2101 (2mm), 163-2501 (2.4mm)
- Mounting type: chassis/panel mount
- Body type: open ABS plastic frame with NC switch
- Pin, contact, & terminals: silver plated brass
- Insulator: phenolic
- Insulation tube: polyethylene
- Contact resistance: 30mΩ max.
- Insulation resistance: 50MΩ min @ 500VDC
- Withstand voltage: 250VAC for 1 minute

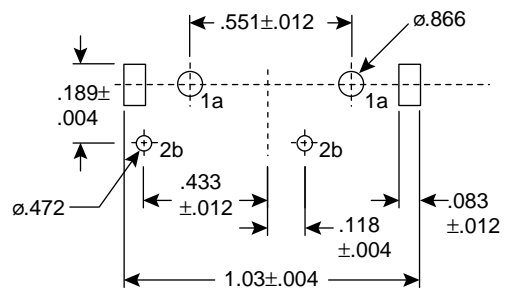
Your source for quality electronics. Toll-free full service.

## (800) 346-6873

<http://www.mouser.com>



Jack Circuit

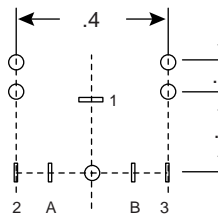
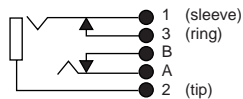
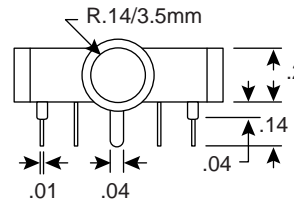
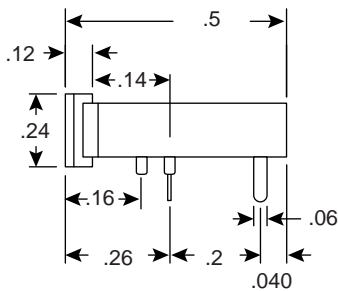
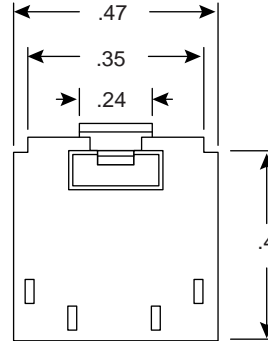
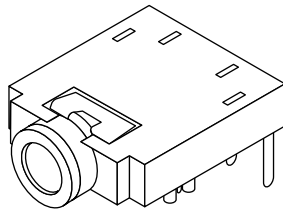


PCB Layout

**Dimensions (In.)**

**Specifications:**

- Type: dual RCA
- Rated voltage: DC/AC 34V
- Rated current: DC/AC 2A
- Temperature range: -25°~+70°C
- Humidity range: 85% RH max.
- Finish: 161-4218 nickel plated; 161-4220 gold plated

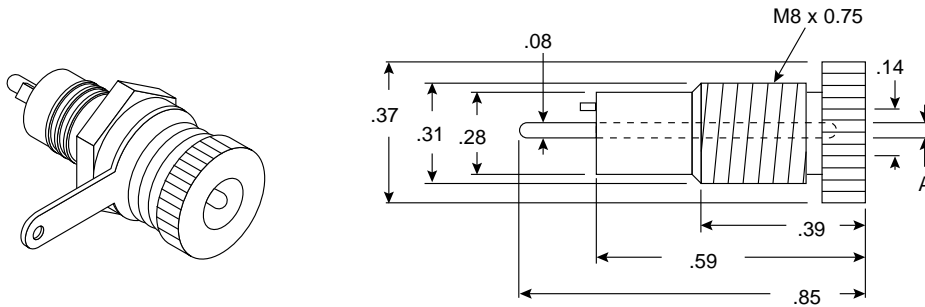


**Dimensions (In.)**  
(except where noted)

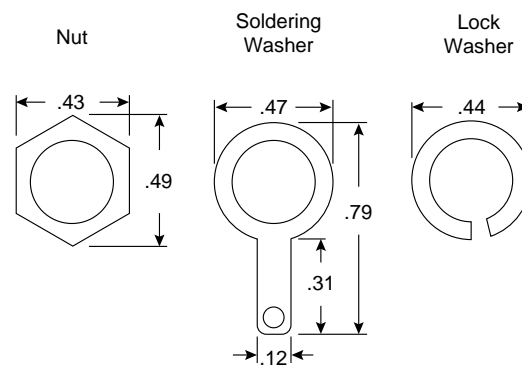
**Specifications:**

- Type: PCB mount; Hi-Rel; 2-SPST; N/C switch
- Contact resistance: 30mΩ (max.)
- Insulation resistance: 50MΩ (min.) @ 100VDC
- Withstand voltage: 250VAC for 1 minute
- Flammability: 230°C (3 seconds)
- Housing: noril ABS plastic, UL94V-1
- Bushing: nickel plated brass
- Terminals: nickel plated phosphor bronze
- Mounting hole: .25"





Dimensions (In.)



Hardware Included

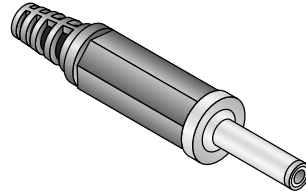
**Specifications:**

- "A": 163-4001 = 0.95mm  
163-4013 = 1.2mm
- Body & pin: nickel plated brass
- Spring: nickel plated phosphor bronze
- Insulator: ABS
- Voltage rating: 15VDC max.
- Current rating: 3A
- Breakdown voltage: 500VAC

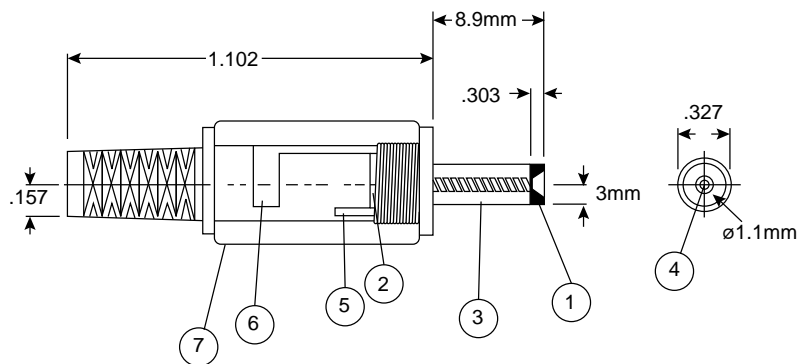
Your source for quality electronics. Toll-free full service.

**(800) 346-6873**

<http://www.mouser.com>



**Dimensions (In.)**  
(unless otherwise specified)



**Specifications:**

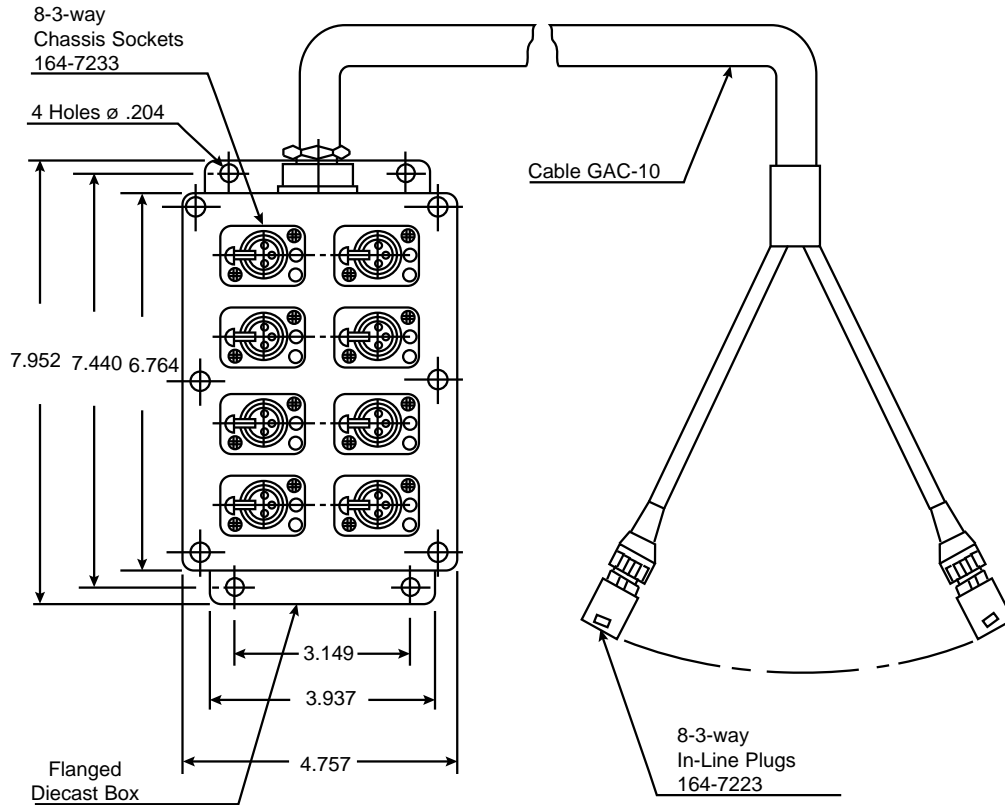
- Dielectric strength: 500VAC for 1 minute
- Insulation resistance: 100M $\Omega$  min. @ 500VDC
- Contact resistance: 50m $\Omega$  max.
- Temperature rating: 135°C
- Barrel: .039 x .118 x .35
- Black strain relief
- Solder terminal

Pin	Part Name	Material
1	Insulator A	Ebonine
2	Insulator B	Polycarbonate
3	Metal sleeve	nickel plated brass
4	Contact	nickel plated brass
5	Terminal 1	nickel plated brass
6	Terminal 2	nickel plated brass
7	Cap	polypropylene

Your source for quality electronics. Toll-free full service

**(800) 346-6873**

<http://www.mouser.com>

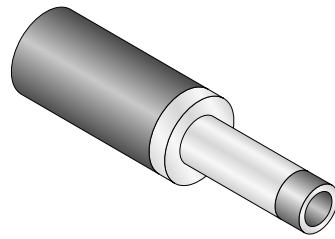


**Specifications:**

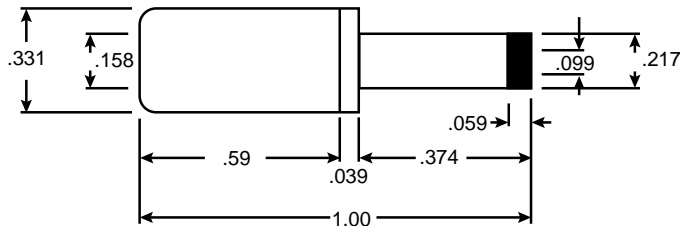
Pre-wired multiway professional audio stage box ideal for neat cabling between multiple microphone, (audio points) and mixing consoles, amplifiers etc.

- Diecast aluminium box mounted with female 3 pin XLR chassis connectors. (164-7233)
- Super-flexible Gotham multicore audio cable. (178-1757M)
- Free end terminated in robust diecast male XLR connectors. (174-7223)
- Box and connectors finished in non-reflective matt black.
- Flanged box with fixing holes.
- Color coded button and collars available (Sold Separately)

Your source for quality electronics. Toll-free full service  
**(800) 346-6873**



### Dimensions (In.)



### Electrical Specifications:

- Insulation resistance: 100M $\Omega$  min.
- Contact resistance: 50m $\Omega$  max.
- Withstanding voltage: 500VAC for 1 minute
- Terminal type: solder
- Color: black

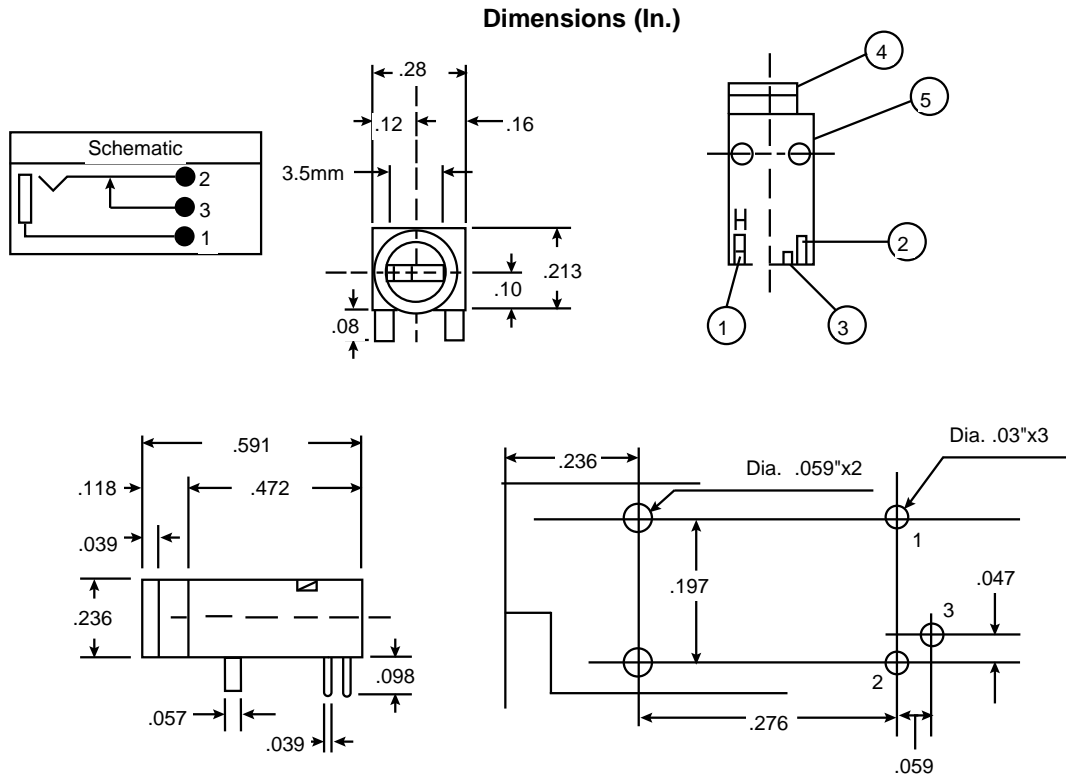
### Material Specifications:

- Handle: ABS plastic
- Body: nickel plated brass
- Insulator: ebonite
- Lug: nickel plated brass
- Lug insulator: fiber board
- Contact: nickel plated brass

Your source for quality electronics. Toll-free full service

**(800) 346-6873**

<http://www.mouser.com>

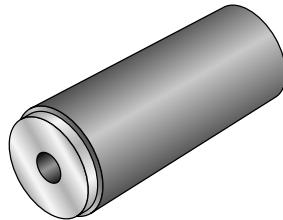


**Specifications:**

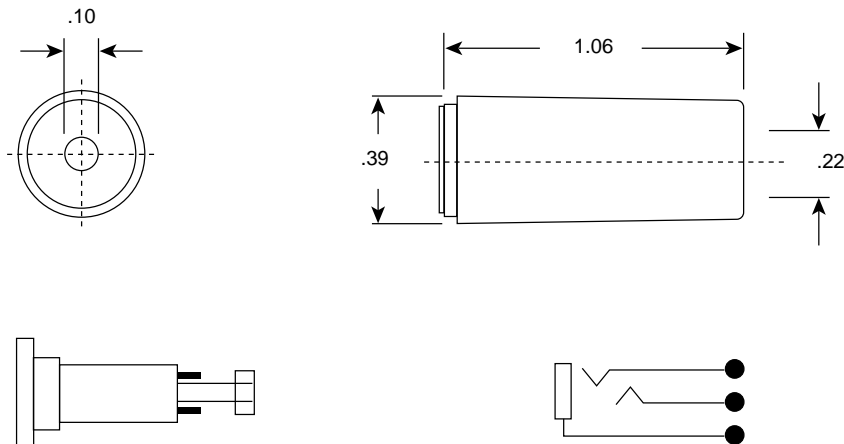
- Contact resistance: 30mΩ max.
- Insulation resistance: 100MΩ min. @ 500VDC
- Withstand voltage: 500VAC/min.

1	Earth terminal	0.25t PBP-SH	NI-AG	Silver plated brass
2	Removal terminal A	0.25t PBP-SH	NI-AG	Silver plated brass
3	Fix terminal	0.25t PBP-H	NI-AG	Silver plated brass
4	Metal tip	BSBM	NI-3	Silver plated brass
5	Housing	NORYL	Black	Nickel plated brass

Your source for quality electronics. Toll-free full service  
**(800) 346-6873**



Dimensions (In.)



Jack body tolerance:  $\pm 0.2\text{mm}$   
Shell tolerance:  $\pm 0.5\text{mm}$

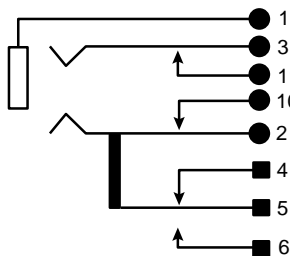
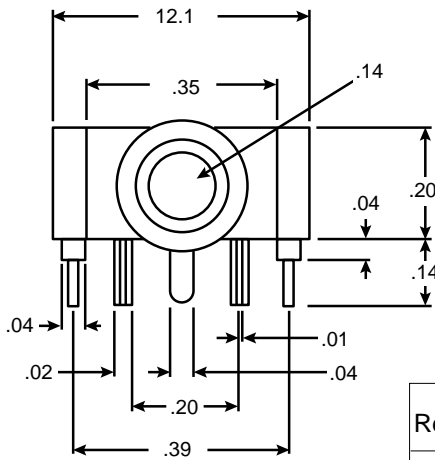
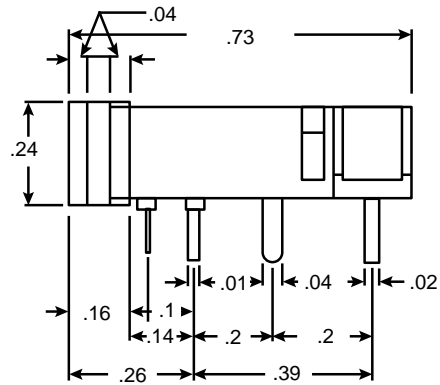
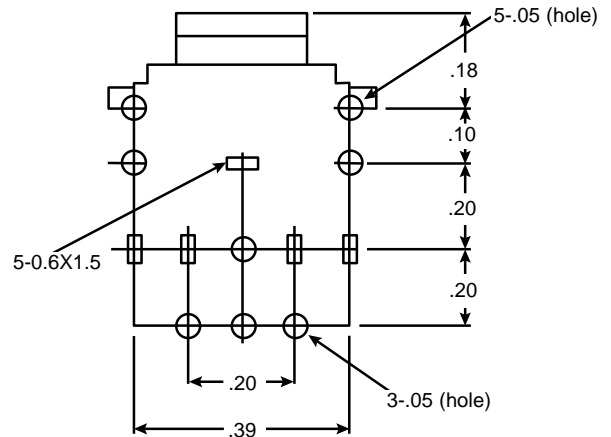
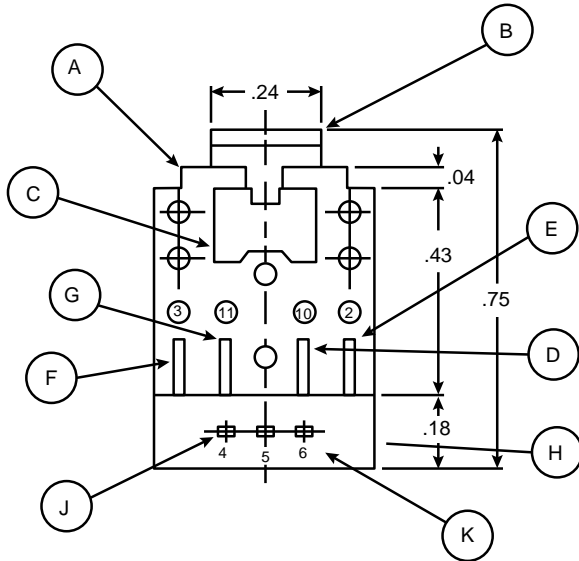
**Material Specifications:**

- Body: brass
- Insulation: ABS plastic
- Shell: bakelite

Mouser Stock No.	Description
161-3408	Black plastic handle with N/C switch and solder terminals

Your source for quality electronics. Toll-free full service  
**(800) 346-6873**

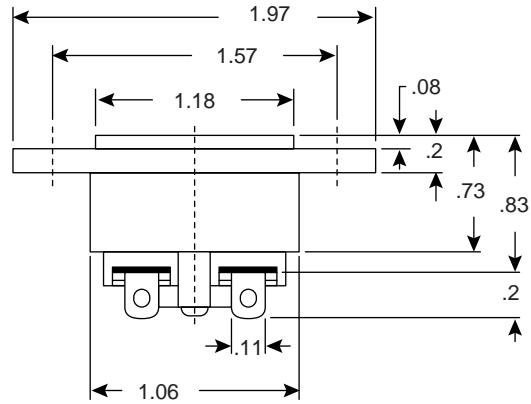
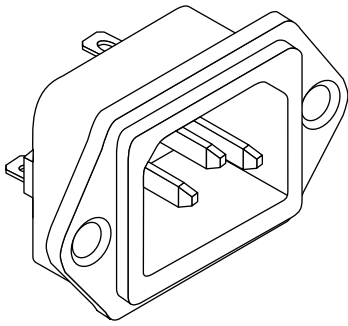
Dimensions (In.)



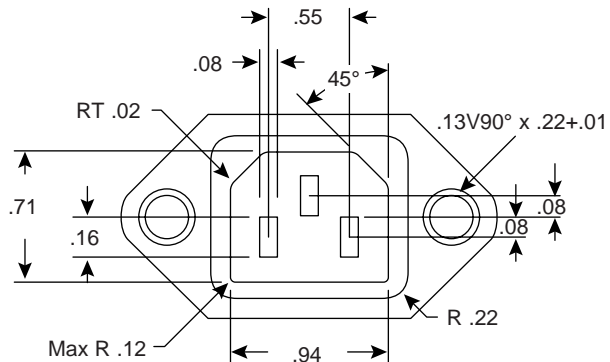
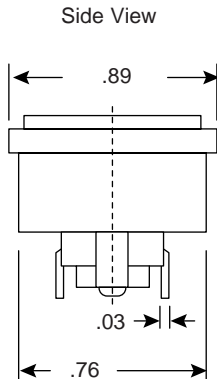
Reference	Part Name	Qty	Material	Remarks
A	Housing	1	Resin	Black
B	Bushing	1	Metal	NI-3
C	Earth Terminal	1	.25 + PBP-H	NI-3
D	Removal Terminal	1	.25 + Y Cut	NIA-G
E	Fix Terminal	1	.30 +BSRH	NIA-G
F	Removal Terminal	1	.25 + PBP-H	NIA-G
G	Fix Terminal	1	.30 + BSRH	NIA-G
H	Switch Cover	1	Resin	Black
I	Slider (Inside)	1	Duracon	Natural
J	Terminal	1	.40 + PBP-H	NIA-G
K	Base	1	Resin	Black

Your source for quality electronics. Toll-free full service

**(800) 346-6873**



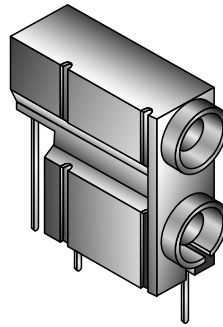
**Dimensions (In.)**



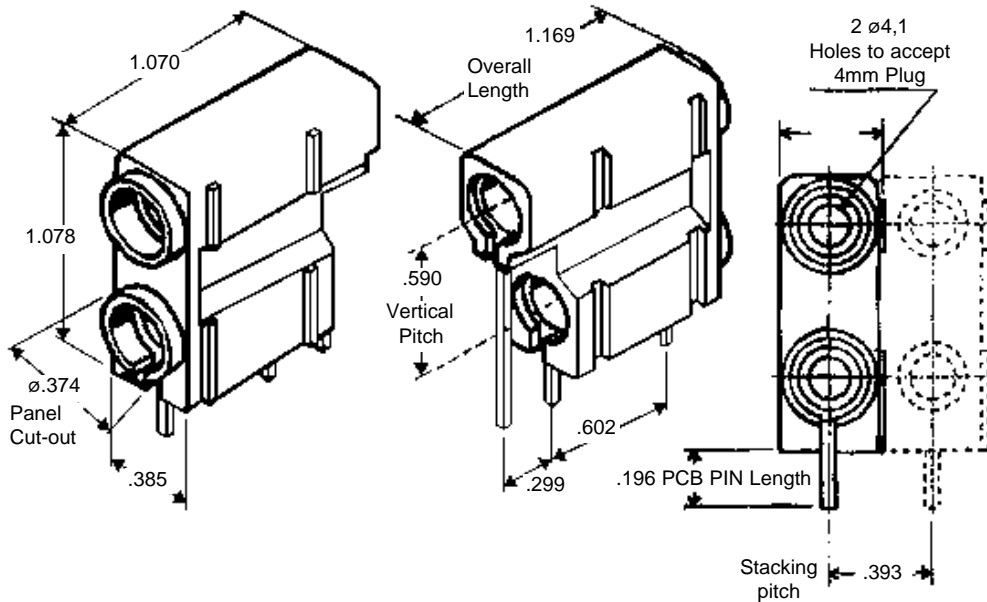
**Specifications:**

- Type: standard panel mount with solder lug termination
- Rating: 15A 250VAC
- Insulation resistance: 500VDC 100M or more
- Withstanding voltage: 2000V RMS 50/60Hz for 1 min.
- Temperature rating: 120°C ± 5°
- Material: PBT





**Dimensions (In.)**

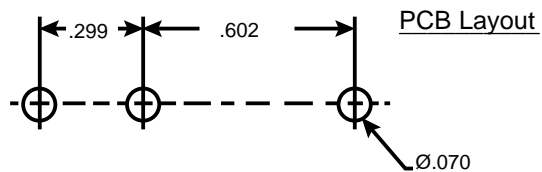


**Specifications:**

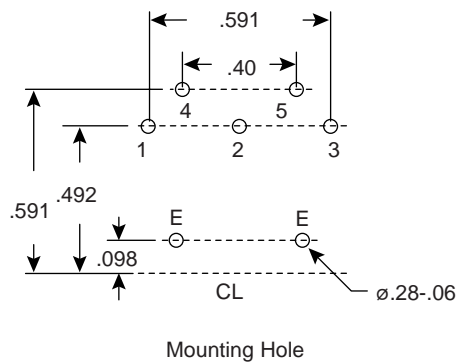
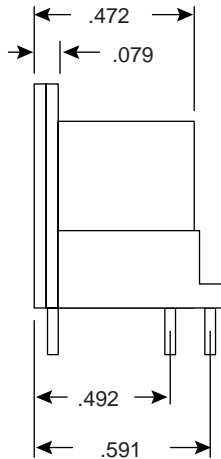
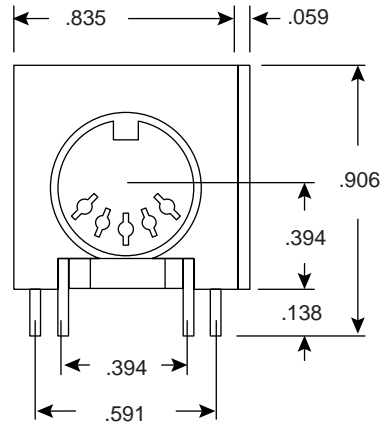
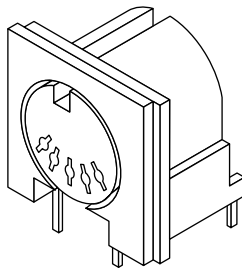
- 164-6220: Black
- 164-6221: Red

**Materials:**

- Housing: Acetal
- Pins: Brass, silver plated
- Bushes: Brass, silver plated
- Current rating: 10 amps

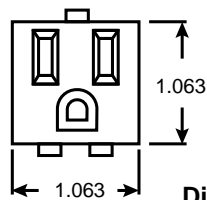
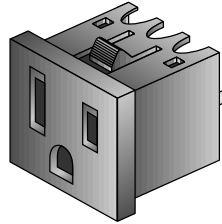
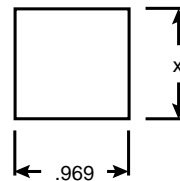


Your source for quality electronics. Toll-free full service  
**(800) 346-6873**

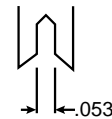
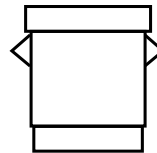
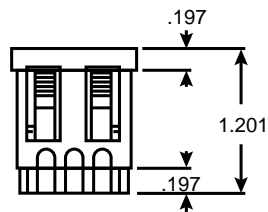


**Specifications:**

- Type: PCB, 5 pin, unshielded
- Degrees of arc: 180°
- Insulation resistance: 100MΩ @ 500VDC
- Dielectric strength: 1000VAC for 1 minute
- Contact resistance: 20mΩ maximum
- Rating: 100VAC @ 2A
- Life expectancy: 5,000 cycles min.

**Dimensions (In.)**

Panel Cut-Out

Thickness:  
.031~.047 (x=.969)  
.051~.079 (x=.977)**Features:**

- Rating: 15A 125VAC 12 & 14 AWG, 13A 125VAC 16 AWG
- Color: black
- Snap-in mount

**Material Specifications:**

- Housing: thermoplastic, nylon 66, flammability classified on request 94-VO or 94-V2
- Terminal: copper alloy, tin plated

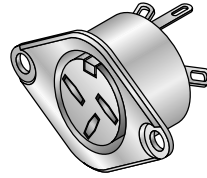
**Electrical Specifications:**

- Insulation resistance: >100M $\Omega$  @ 500VDC
- Dielectric strength: >2000VAC (between terminals) 1 minute @ 0.5mA
- Operating temperature: -25°C to +85°C (max.)

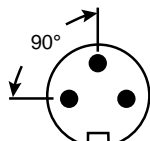
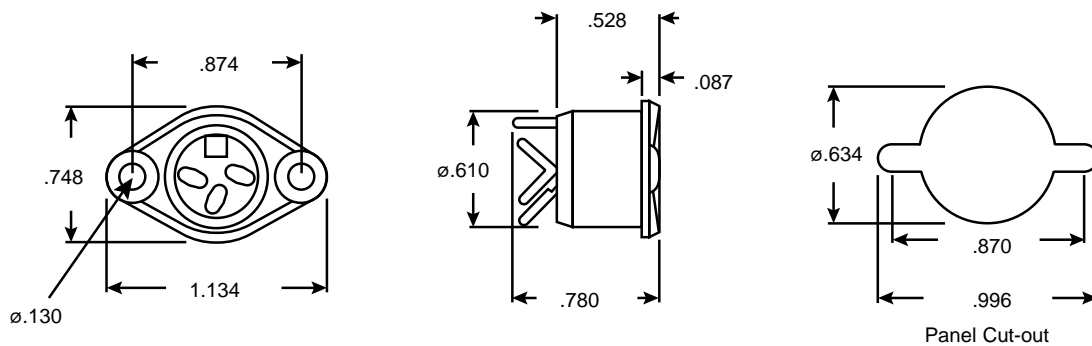
**Safety Approvals No:**

- UL: E101351 (S)
- CSA: 63196

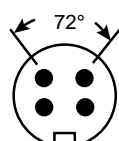
Your source for quality electronics. Toll-free full service  
**(800) 346-6873**



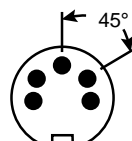
### Dimensions (In.)



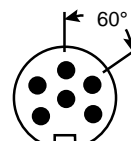
16HR633  
180° of arc  
3 way



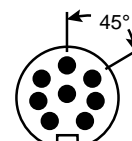
16HR634  
216° of arc  
4 way



16HR635  
180° of arc  
5 way



16HR636  
240° of arc  
6 way

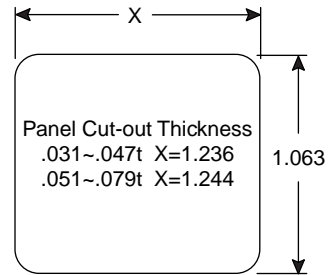
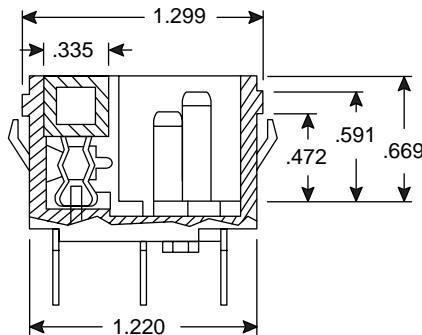
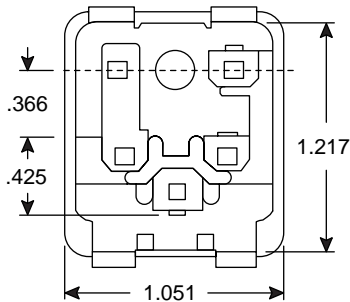
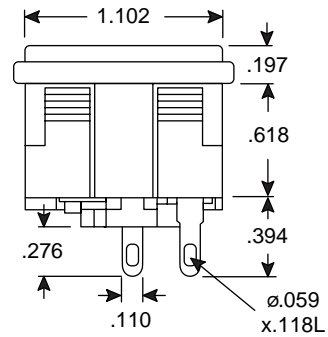
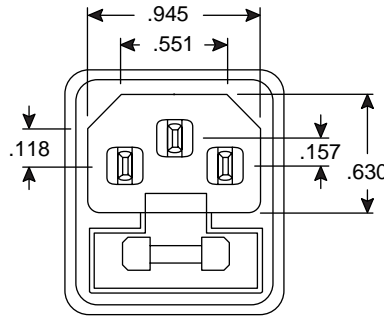
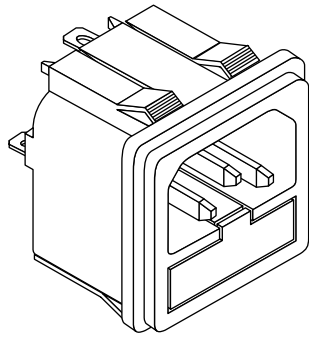


16HR638  
270° of arc  
8 way

### Specifications:

- Working voltage: 100VDC or VAC peak
- Test voltage: 1000 VDC
- Current rating: 4A
- Insulation resistance: 10<sup>10</sup>Ω min. @ 100VDC
- Contact resistance: 10mΩ max.
- Capacity (mated): 3pF
- Temperature range: -25°C to +70°C
- Reliability: 5,000 insertions
- Housing: zinc alloy finished in bright nickel or matt black plated over copper.
- Pin base mouldings: NORYL
- Contacts: silver plated brass

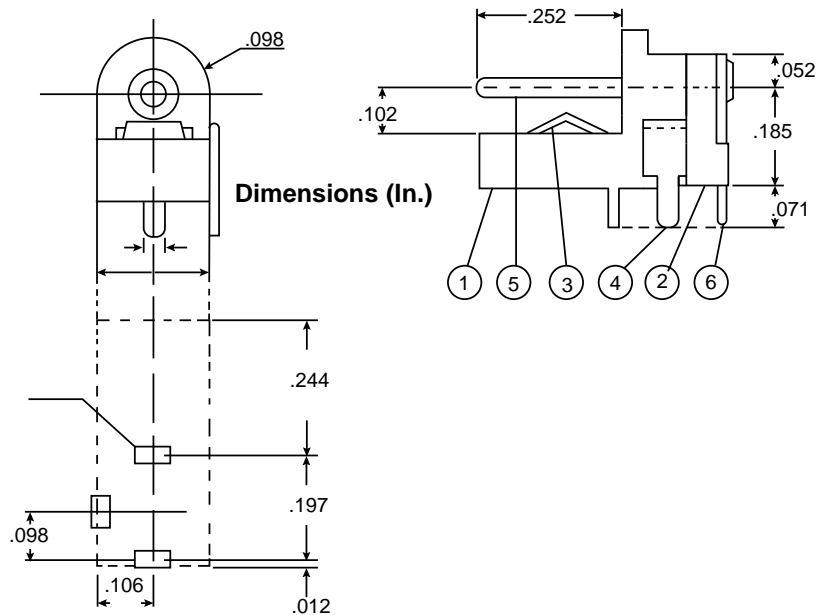
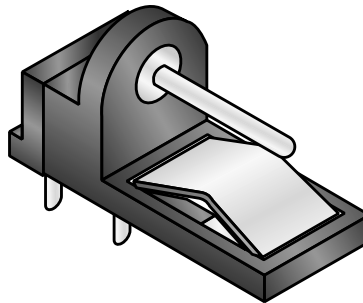
Your source for quality electronics. Toll-free full service  
**(800) 346-6873**



### Dimensions (In.)

#### Specifications:

- Type: snap-in mount with miniature fuse holder
- Housing: thermoplastic
- Terminal: tin plated copper alloy
- Rating: 250VAC 10A
- Insulation resistance: over 100MΩ @ 500VDC
- Dielectric strength: 2000VAC for 1 minute
- Fuse: ø5x20mm 250VAC 6.3A max.
- Approvals: UL (file#: E122965S), CSA, VDE, SEV, SEMKO, DEMKO, NEMKO, and SETI

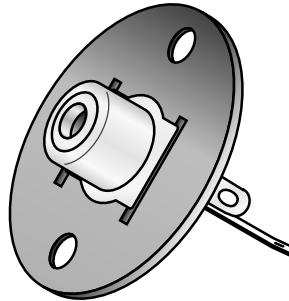


**Specifications:**

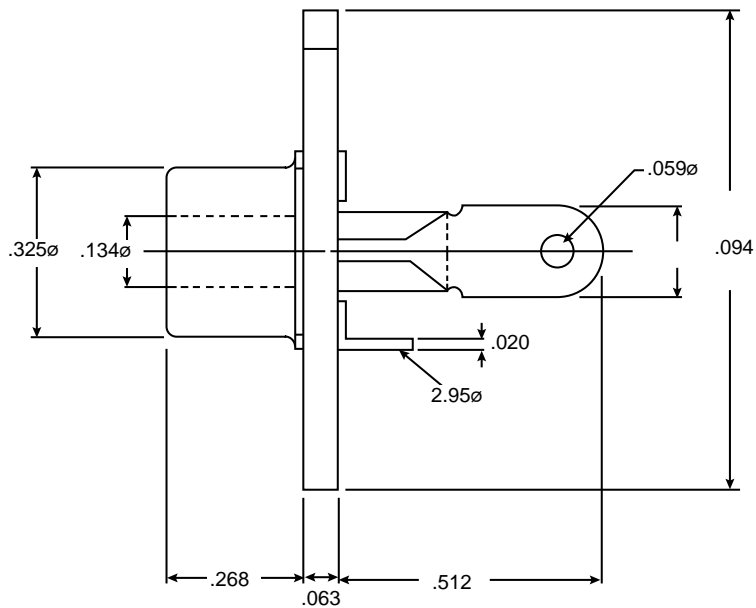
- Contact resistance: max. 30mΩ / 1A
- Insulation resistance: min. 50mΩ / DC500
- Withstand voltage: 250VAC / 1 minute

1	Housing	ABS
2	Cover	ABS
3	Spring terminal	Silver plated brass
4	Spring terminal	Silver plated brass
5	Pin	Silver plated brass
6	Fix terminal	Silver plated brass

Your source for quality electronics. Toll-free full service  
**(800) 346-6873**



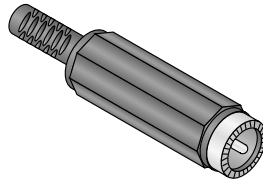
### Dimensions (In.)



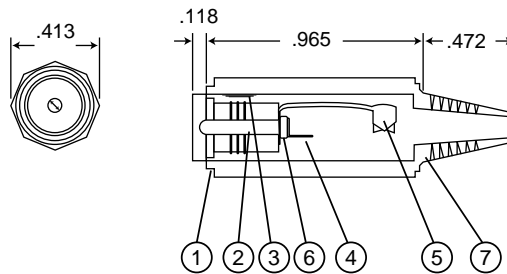
### Specifications:

- Insulation resistance:  $100M\Omega$  (min.)
- Contact resistance:  $10m\Omega$  (max.)
- Withstand voltage: 500VAC for 1 minute
- Board: phenol
- Body: nickel plated brass

Your source for quality electronics. Toll-free full service  
**(800) 346-6873**



**Dimensions (In.)**



1	Body	Nickel plated brass
2	Pin	Nickel plated brass
3	Spring	Nickel plated brass
4	Terminal A	Nickel plated brass
5	Terminal B	Nickel plated brass
6	Insulator	POM
7	Cap	Polyethylene 80°C max.

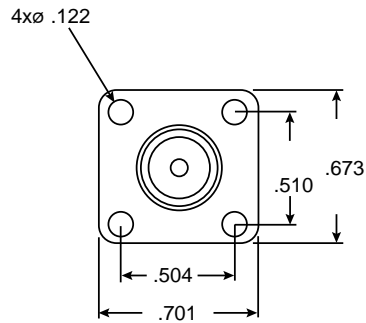
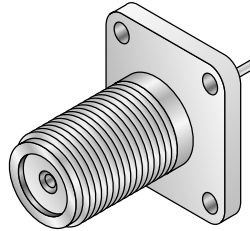
**Specifications:**

- Power rating: 12VDC 1A
- Insulation resistance: 100MΩ min. @ 500VDC
- Contact resistance: 50mΩ max.
- Voltage breakdown: 500VAC for 1 minute

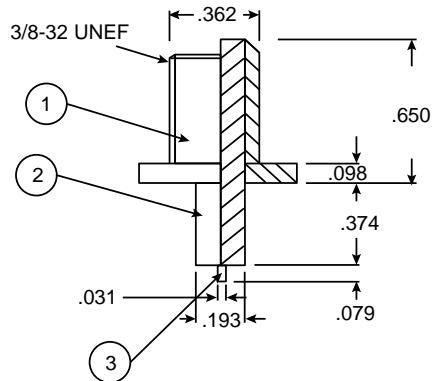
Mouser Stock No.	Center Pin	
	Diameter	Length
163-0300	2.0mm	8.5mm
163-0301	2.35mm	8.5mm

Your source for quality electronics. Toll-free full service  
**(800) 346-6873**





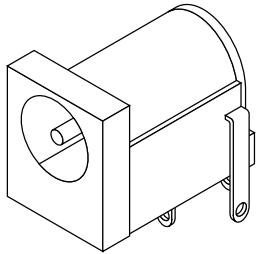
Dimensions (In.)



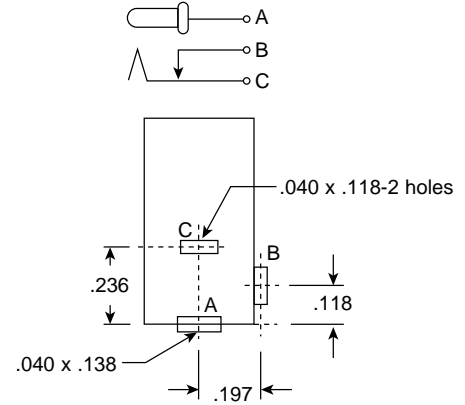
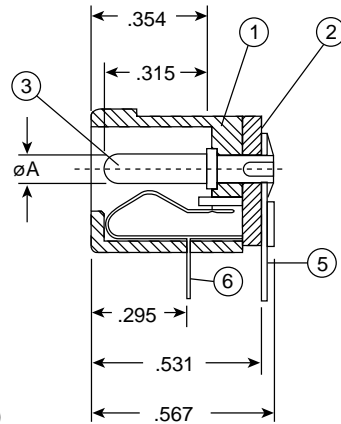
**Specifications:**

- 1. Barrel: nickel plated brass
- 2. Insulator: teflon, white color
- 3. Contact: gold plated brass

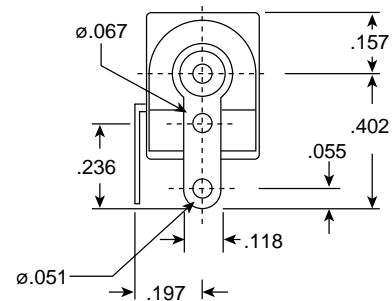
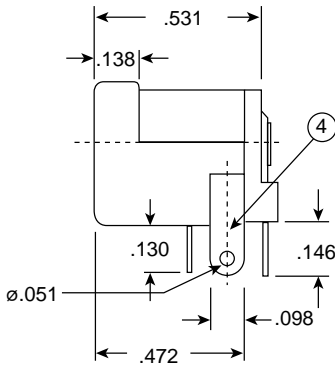
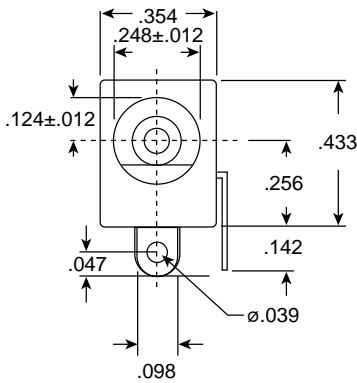
Your source for quality electronics. Toll-free full service  
**(800) 346-6873**



Dimensions (In.)



Bottom View



**Specifications:**

- Insulation resistance: 1000MΩ @ 500VDC
- Shunt spring: silver plated brass
- Tip spring: silver plated copper alloy
- Contact resistance: 30mΩ max.
- Insertion force: 0.3-1.5kg
- Extraction force: 0.3-1.5kg
- Voltage test: 500V for 1 minute
- Life time: withstand more than 5,000 cycles insertion and withdrawal with test plug
- Current rating: 1 amp
- This product should not be washed using a chloride
- General purpose: ±.008

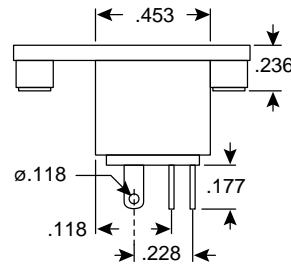
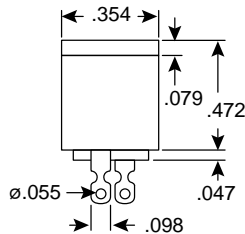
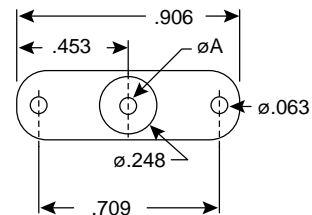
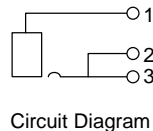
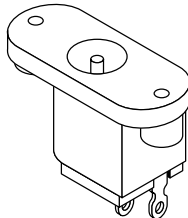
Mouser Stock No.	Center Pin (A)
163-5003	2.35mm
163-5004	2.0mm

No.	Part	Material
1	Housing	PBT
2	Black Cover	PBT
3	Center Pin	Nickel Plated
4	Break Terminal	Silver Plated
5	Pin Terminal	Silver Plated
6	Sleeve Terminal	Silver Plated

Your source for quality electronics. Toll-free full service

**(800) 346-6873**

<http://www.mouser.com>



### Dimensions (In.)

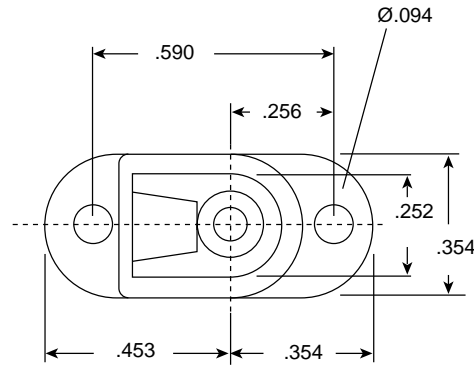
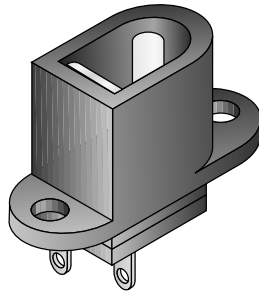
### Specifications:

- Type: molded with NC switch
- Center pin: A = 2.5mm (163-5005), 2.1mm (163-5006)
- Terminals & shunt spring: silver plated brass
- Tip spring: silver plated copper alloy
- Insulation resistance: 1,000M $\Omega$
- Contact resistance: 30m $\Omega$  max.
- Extraction force: 0.3kg ~ 2.0kg
- Insertion force: 0.3kg ~ 2.0kg
- Voltage test: withstand 500VAC for 1 minute
- Life time: withstand > 5,000 cycles insertion & withdrawal with testing plug
- Warning: this product should not be washed by a chloride

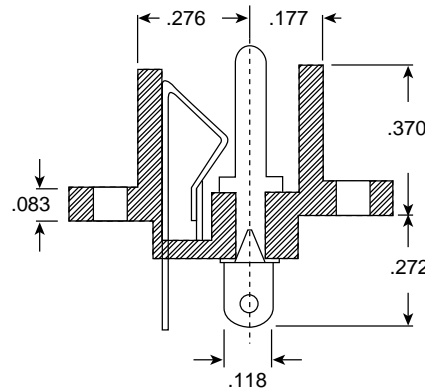
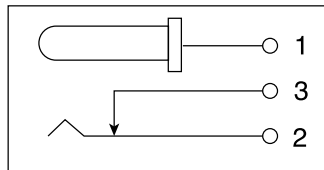
Your source for quality electronics. Toll-free full service.

**(800) 346-6873**

<http://www.mouser.com>



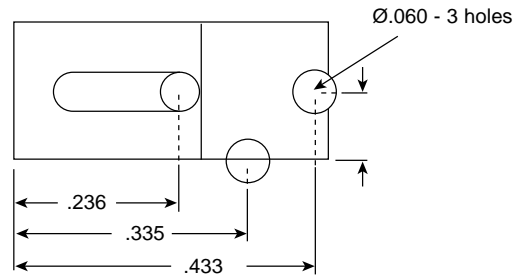
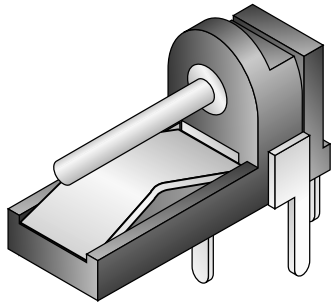
**DIMENSIONS (mm)**



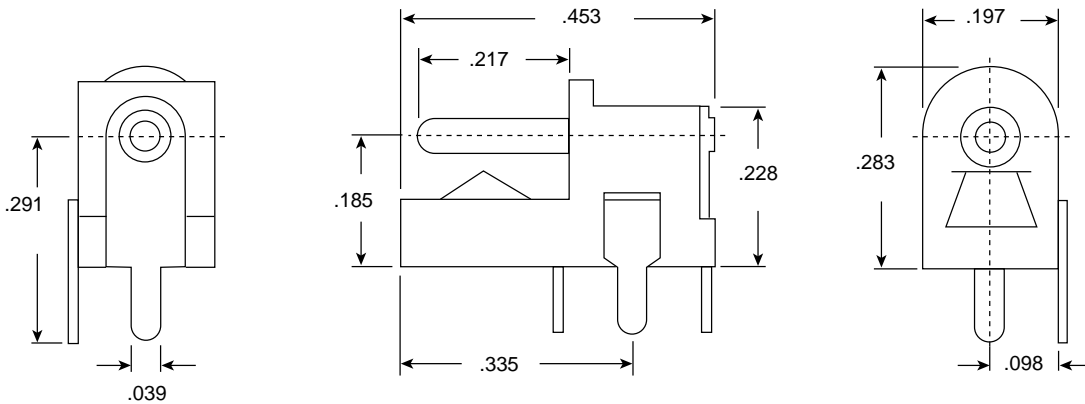
**Specifications:**

- Insulation resistance: 50M $\Omega$  min. @100V resistance meter,
- Voltage test: 250V for 1 minute
- Contact resistance: 30m $\Omega$  @ 1A

Your source for quality electronics. Toll-free full service  
**(800) 346-6873**



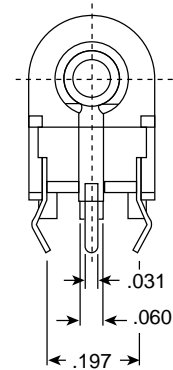
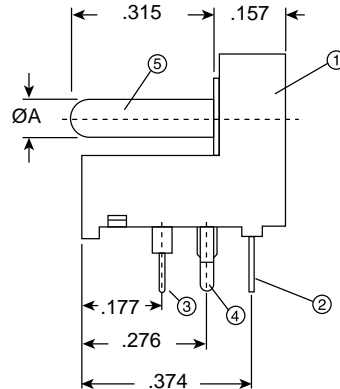
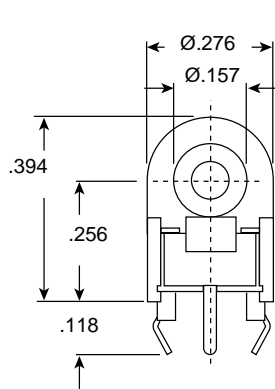
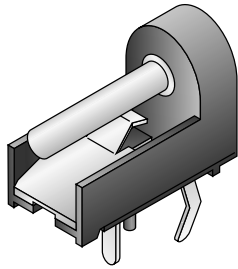
**DIMENSIONS (mm)**



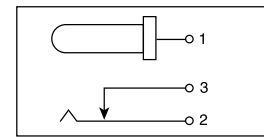
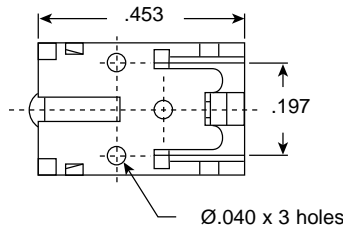
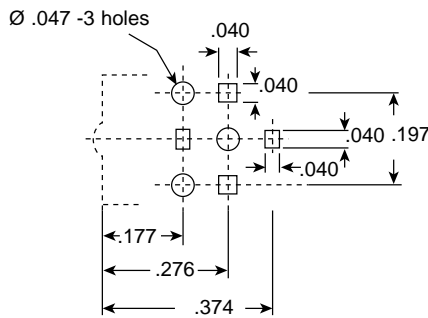
**Specifications:**

- Insulation resistance: 50MΩ @ 100V
- Voltage test: withstand 250V
- Contact resistance: 30mΩ @ 1A

Your source for quality electronics. Toll-free full service  
**(800) 346-6873**



Dimensions (In.)



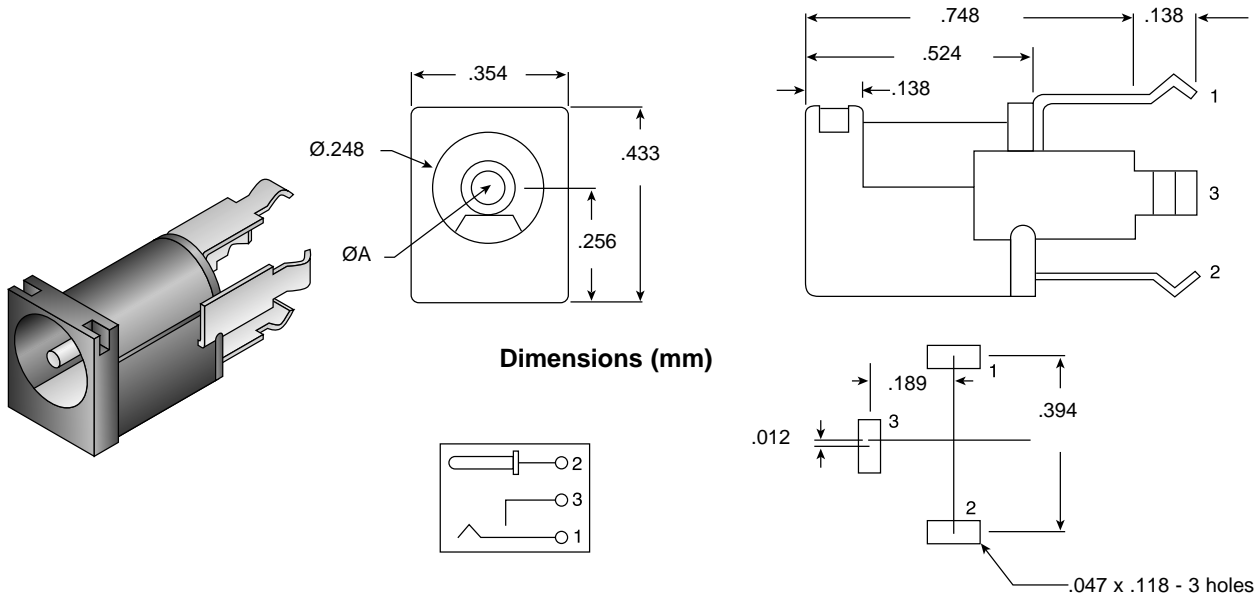
1	Housing
2	Earth terminal
3	Tip terminal
4	Break terminal
5	Center pin

**Specifications:**

- Insulation resistance: 50MΩ min. @ 500VDC,
- Voltage rating: 250VAC for 1 minute
- Contact resistance: 30mΩ max.
- Housing material: UL94HB
- This product should not be washed by a chloride

Mouser Stock No.	Center Pin (A)
163-5010	2.0mm
163-5011	2.35mm

Your source for quality electronics. Toll-free full service  
**(800) 346-6873**

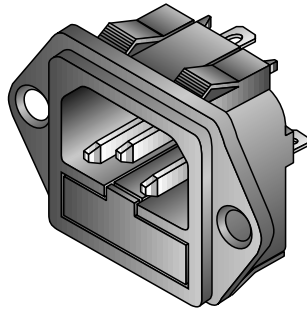


**Specifications:**

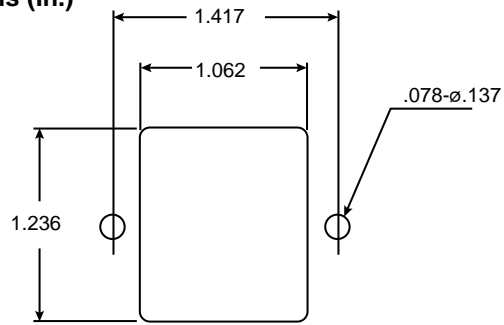
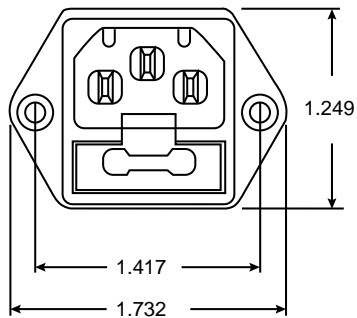
- Insulation resistance: 50MΩ @100V
- Voltage test: withstand 250V
- Contact resistance: 30mΩ @ 1A

Mouser Stock No.	Center Pin (A)
163-5012	2.35mm
163-5013	2.0mm

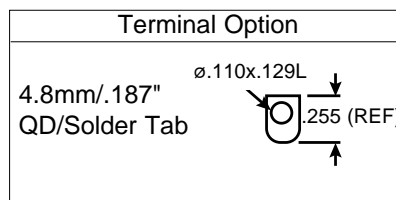
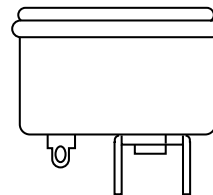
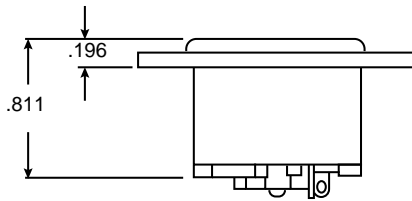
Your source for quality electronics. Toll-free full service  
**(800) 346-6873**



**Dimensions (In.)**

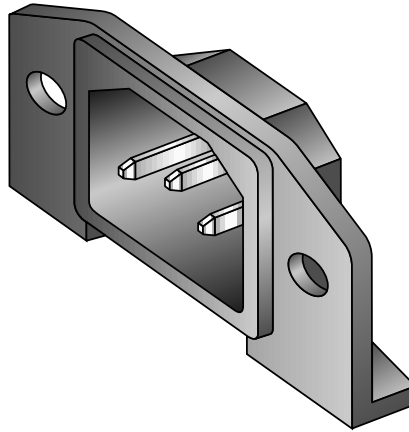


Panel Cut-out

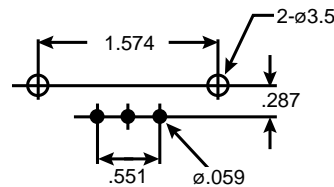
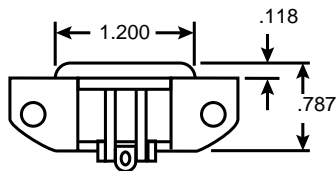
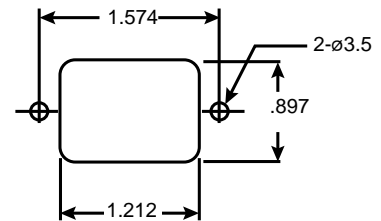
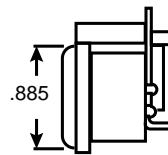
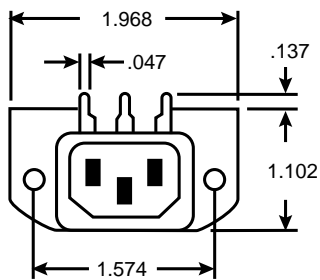


Your source for quality electronics. Toll-free full service  
**(800) 346-6873**





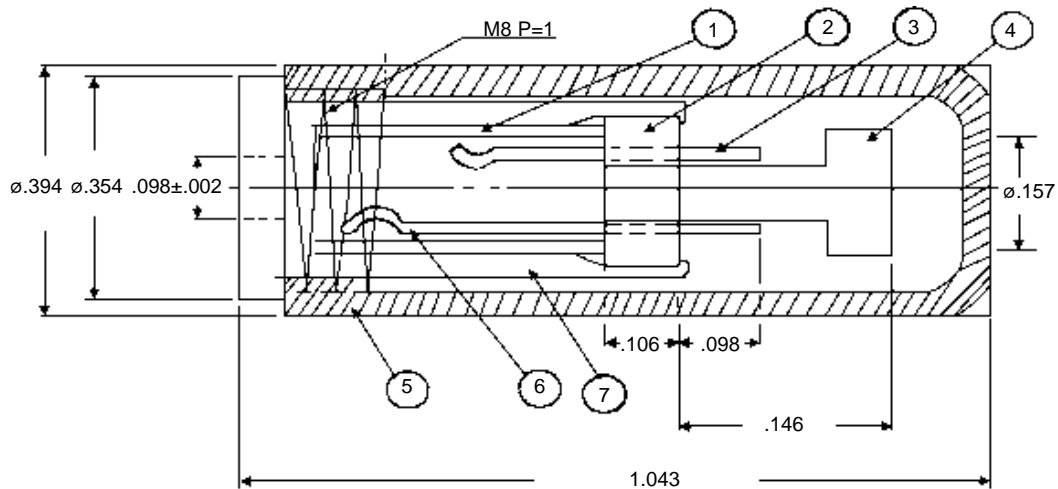
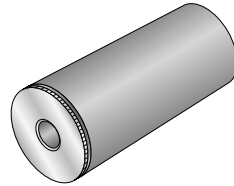
Dimensions (In.)



**Specifications:**

- Current rating: 15A / 250VAC 10A/225VAC
- PCB pitch option: 7mm/ .275"
- Approvals: UL, CSA, VDE, SEV, SEMKO, DEMKI, NIMKO, SETI

Your source for quality electronics. Toll-free full service  
**(800) 346-6873**



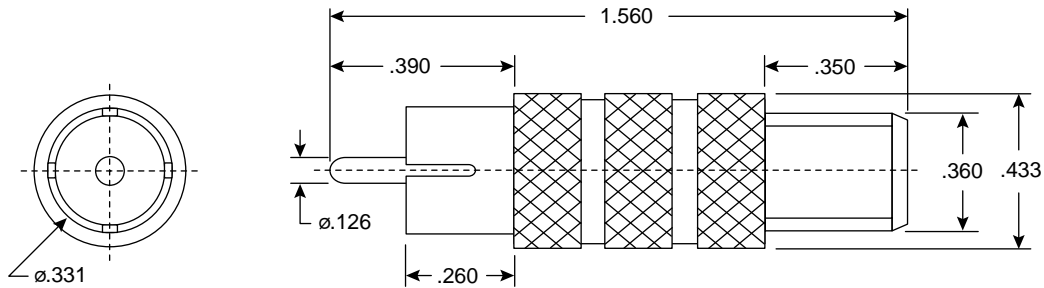
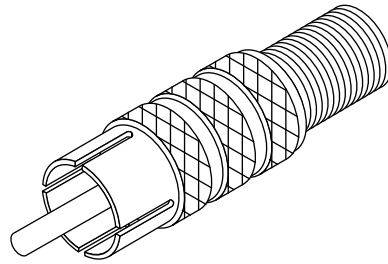
**Specifications:**

- Breakdown voltage: 500VAC for 1 minute
- Insulation resistance: 100MΩ @ 500VDC
- Contact resistance: 50mΩ
- Life time: M/M 5,000 cycles

No.	Description	Material
1	Insulative tube	Vinyl
2	Insulator	Polycarbonate
3	Contact S	PBS/EM
4	Terminal	BSR/EM Ni
5	Cap (Black)	ABS
6	Contact M	PBS/EM Ni
7	Body	BSBM Ni

Your source for quality electronics. Toll-free full service

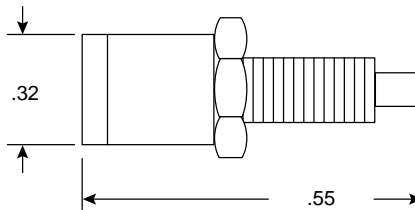
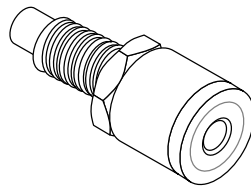
**(800) 346-6873**



Dimensions (In.)

**Specifications:**

- Type: RCA phono plug to "F" jack
- Body: nickel plated brass
- Center pin: nickel plated brass
- Insulation: delrin



**Dimensions (In.)**

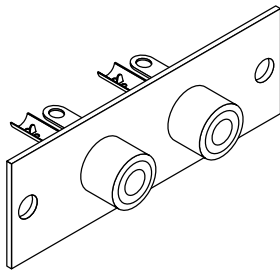
**Specifications:**

- Current rating: 6A
- Breakdown voltage: 3,500VRMS (min.)
- Contact material: phosphor bronze
- Contact plating: tin
- Body material: ABS plastic
- Hardware material: nickel plated brass
- Cap color: 164-401R (red), 164-401B (black)

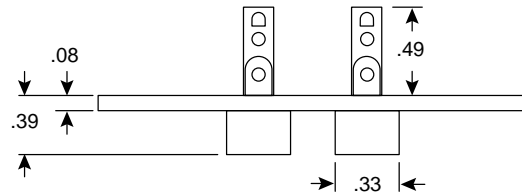
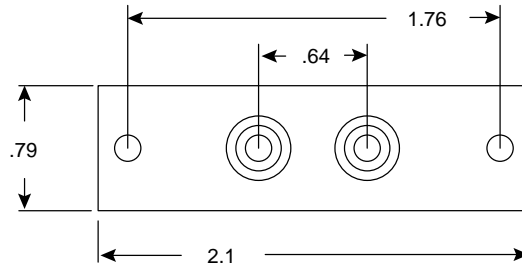
Your source for quality electronics. Toll-free full service.

**(800) 346-6873**

<http://www.mouser.com>

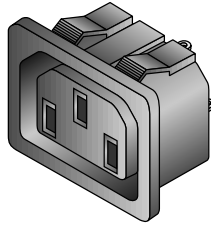


Dimensions (In.)

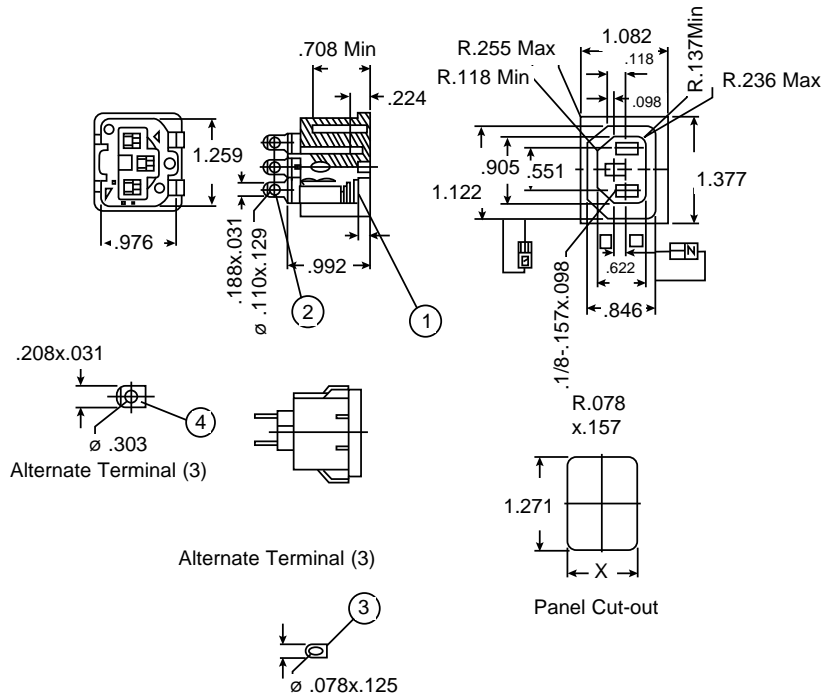


**Specifications:**

- Type: dual RCA phono jack, chassis mount
- Color: black & red
- Temperature rating: 0.5~35°C
- Insertion & extraction force: 1.5~3KG
- Contact resistance: <math><30M\Omega</math> (max.) @ 1KHz
- Insulation resistance: >100 $\Omega$  (min.) @ 500VDC
- Solder heat resistance: 250  $\pm$  5°C for 10  $\pm$  1 second
- Life: >100 cycles
- Material: nickel plated steel, ABS plastic



### Dimensions (In.)



#### Material:

- Housing: thermoplastic, nylon 66, flammability classified on request 94-V0 or 94-V2
- Terminal: copper alloy, tin-plated

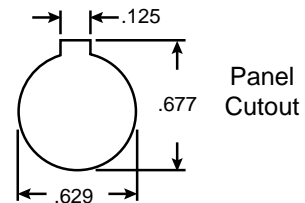
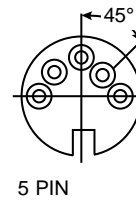
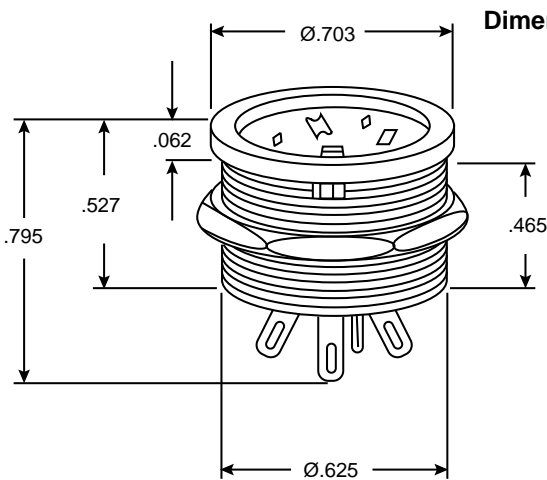
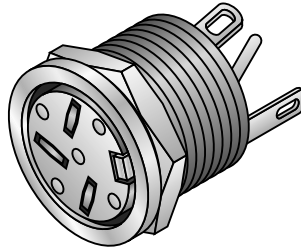
#### Specifications:

- Rating: 10A 250VAC
- Color: black
- Insulation resistance: >100MΩ @ 500VDC
- Dielectric strength: >2000VAC (between terminals) 1 minute @ 0.5mA
- Operating temperature: -25°C to +85°C (Max.)
- Solderability: temperature of solder bath -235°C dipping time 3 ± 0.5 seconds
- Pull force of terminal : 60 N (0.12ks)

No.	Part Name	Material
1	Housing	Thermoplastic
2	Terminal	Copper Alloy tin-plated
3	Terminal	Copper alloy tin-plated
4	Terminal	Copper alloy tin-plated

Your source for quality electronics. Toll-free full service

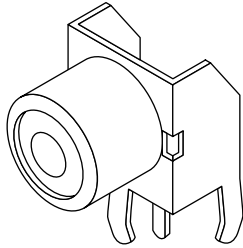
## (800) 346-6873



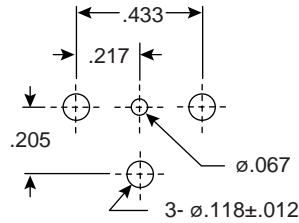
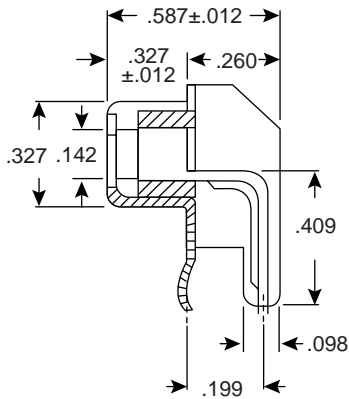
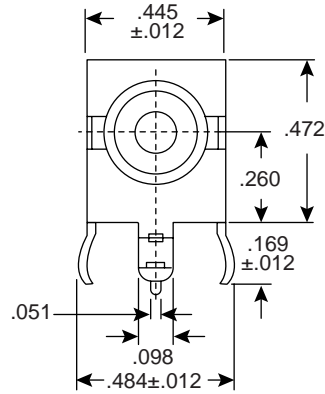
**Specification:**

- Housing: nickel plated brass
- Molding: noryl SE1
- Contacts: silver plated brass
- Nut: nickel plated brass

Your source for quality electronics. Toll-free full service  
**(800) 346-6873**



Dimensions (In.)

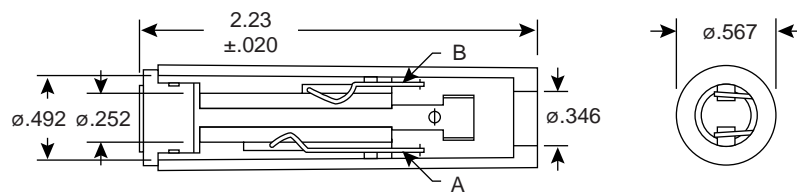
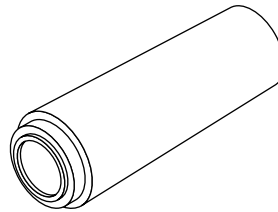


Mounting Hole

**Specifications:**

- Type: PCB mount, 90°
- Shell: tin plated steel
- Contact: tin plated brass
- Insulator: PBT
- Color: white (161-0360), red (161-0370), yellow (161-0380), black (161-0390)
- Humidity test: @ 40°C RH 90% for 48 hrs.
- Insulation resistance: 10 min. @ 500VRMS
- Temperature rating: 70°C
- Tolerance: ±.008

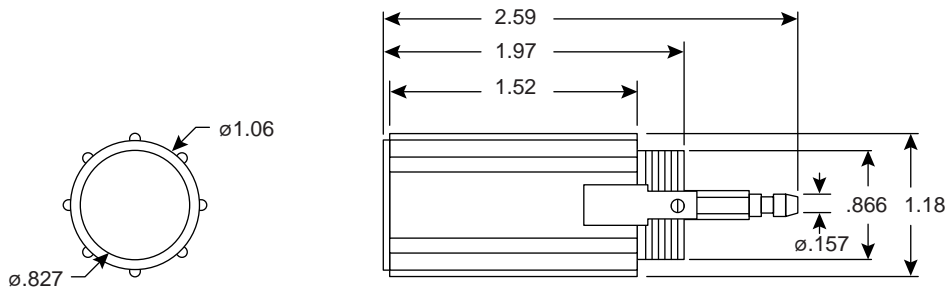
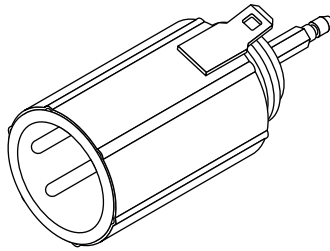




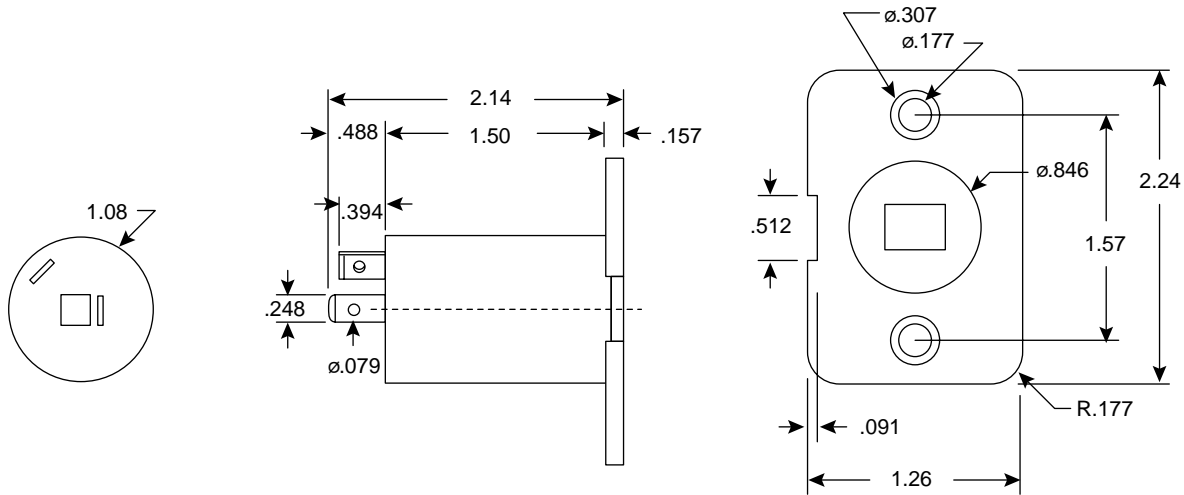
**Dimensions (In.)**

**Specifications:**

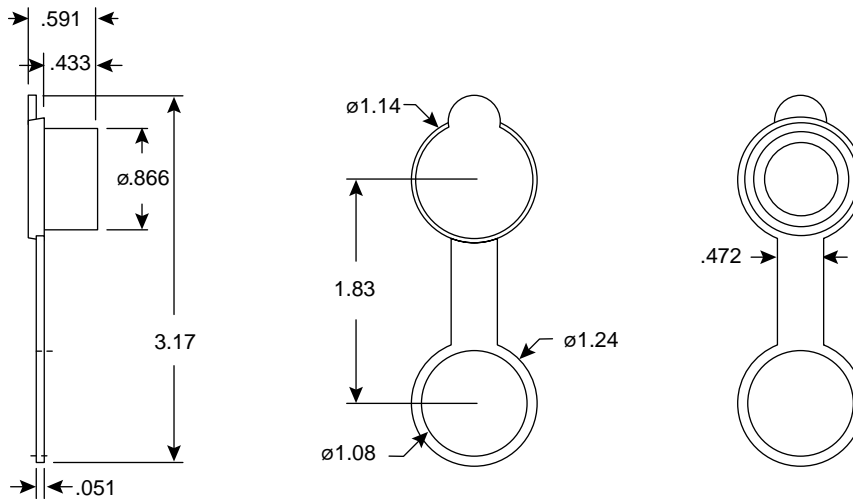
- Type: stereo, 1/4", open circuit, in-line
- Breakdown voltage: 500VAC for 1 minute
- Contact resistance: 50Ω max.
- Insulation resistance: 100MΩ @ 500VDC
- Life time: 5,000 cycles min.
- Tolerance: ± .012 inches
- Cap: ABS resin
- Terminal: nickel plated steel
- Contact B: nickel plated PBS-EH t=.03
- Contact A: gold plated PBS-EH t=.03
- Body: polyphemeneoxide
- Contact spring: nickel plated piano wire, ø 0.4
- Metal sleeve: nickel plated brass

**Specifications:**

- Type: 12VDC receptacle

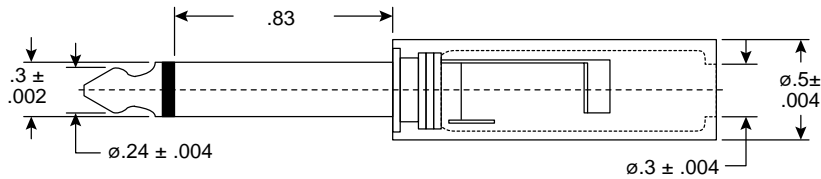
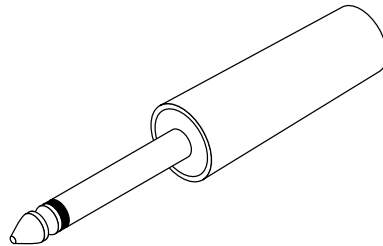


### Dimensions (In.)



### Specifications:

- Type: DC power, in-line socket
- Material: nylon #66
- Rubber cap: PVC
- Tolerance:  $\pm 0.2$



### Dimensions (In.)

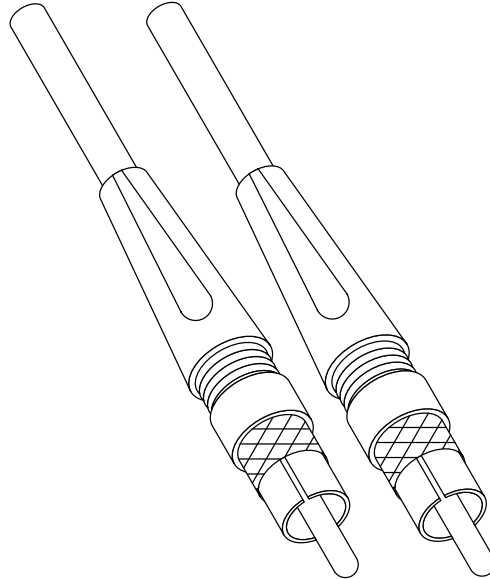
#### Specifications:

- Type: unshielded
- Body: ABS plastic
- Color: black
- Internal parts & pin: copper plated nickel

Your source for quality electronics. Toll-free full service.

**(800) 346-6873**

<http://www.mouser.com>

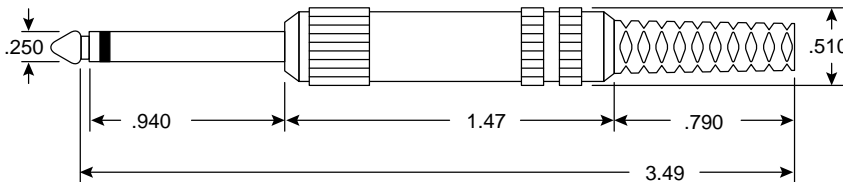
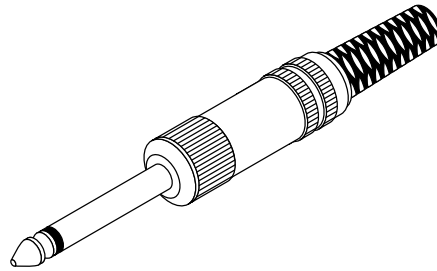
**Specifications:**

- Cable type: 3C2V
- Cable length: 72" (nominal)
- Cable O.D.: .23" (5.8mm)
- Cable stranding: .12mm x 48
- Cable shield: braid, tinned copper
- Cable impedance: 75 $\Omega$
- Cable termination: RCA phono plug / RCA phono plug
- Plug center pin O.D.: .02" (.5mm)
- Center pin type: solid

Your source for quality electronics. Toll-free full service

**(800) 346-6873**

<http://www.mouser.com>



Dimensions (In.)

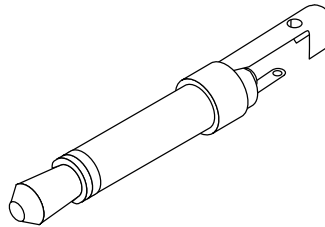
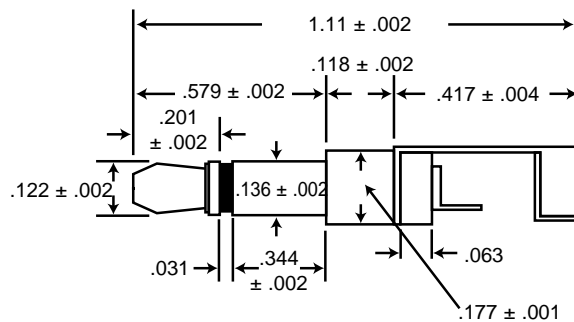
**Specifications:**

- Metal body with red strain relief, shielded
- Insulator material: ABS plastic
- Temperature rating: 70°C

Your source for quality electronics. Toll-free full service

**(800) 346-6873**

<http://www.mouser.com>

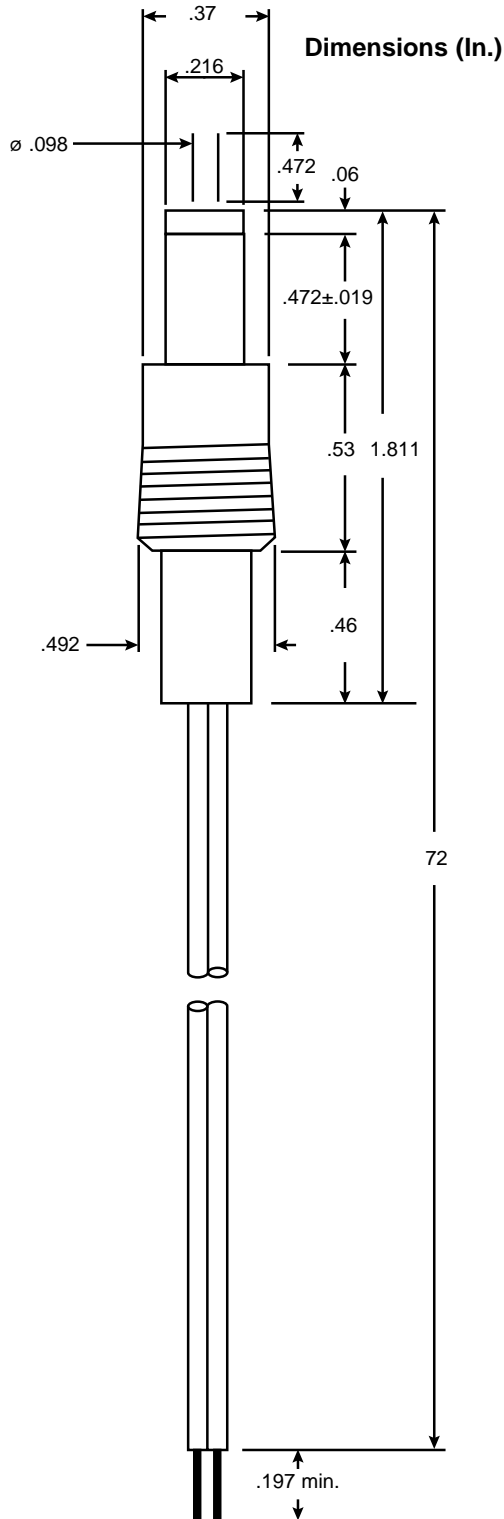
**Dimensions (In.)****Specifications:**

- Insulator: phenol
- Temperature rating: 200°C
- Mono: straight or right angle custom molding applications

Your source for quality electronics. Toll-free full service

**(800) 346-6873**

<http://www.mouser.com>



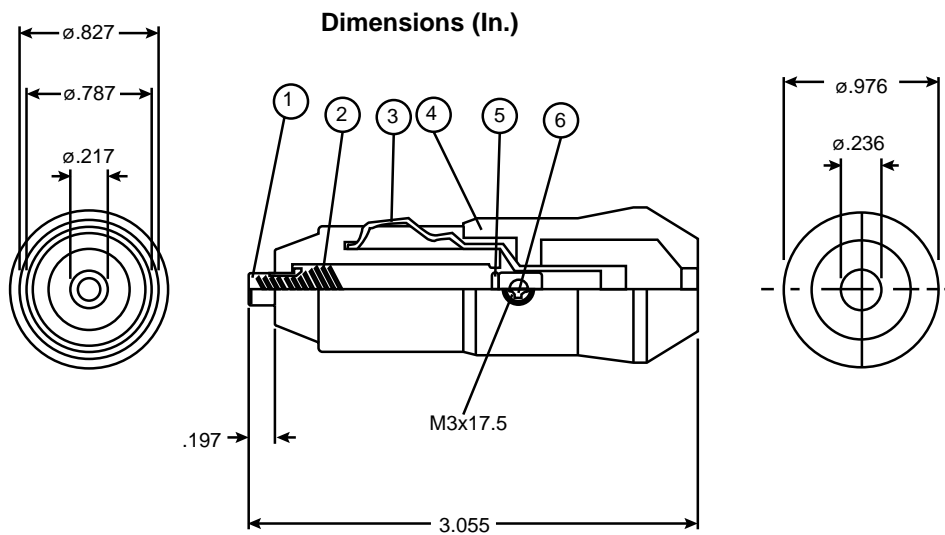
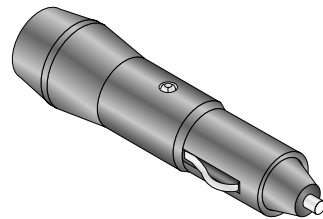
**Specifications:**

- 24AWG speaker wire PVC insulation
- O.D.: .15" x .10" nominal
- Center contact to white strip wire sleeve  
contact to black wire
- Rated temperature: 60°C
- Rated voltage: 300V
- Resistance: .15Ω / m

Your source for quality electronics. Toll-free full service

**(800) 346-6873**





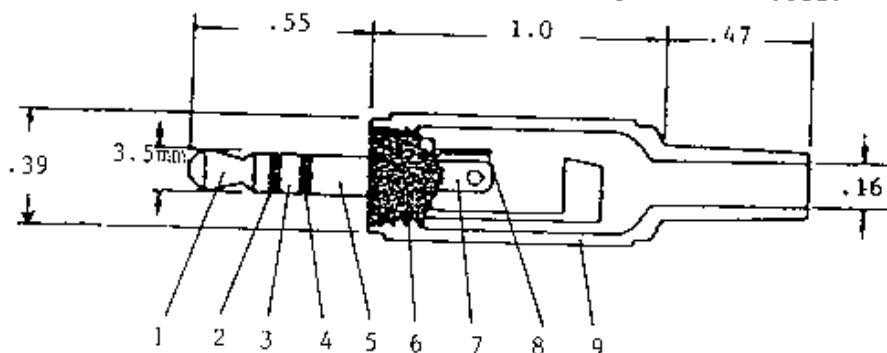
**Specifications:**

- Rating: 1A @ 12VDC
- Contact resistance: 200mΩ max.
- Insulation resistance: 50MΩ min. @ 250VDC
- Breakdown voltage: 250VDC for 1 minute

Let	Part name	Material
1	Contact A	BSBM Ni-P
2	Spring	Steel Ni-P
3	Contact B	Steel Ni-P
4	Body	ABS resin
5	Terminal	Steel Ni-P
6	Screw, nut	Steel Ni-P

Your source for quality electronics. Toll-free full service  
**(800) 346-6873**

Dimensions in inches except where noted.



MATERIALS:

- |    |                  |                     |
|----|------------------|---------------------|
| 1. | CONTACT A.....   | NICKEL PLATED BRASS |
| 2. | INSULATOR A..... | A.B.S. RESIN        |
| 3. | CONTACT B.....   | NICKEL PLATED BRASS |
| 4. | INSULATOR B..... | A.B.S. RESIN        |
| 5. | CONTACT C.....   | NICKEL PLATED BRASS |
| 6. | BODY.....        | A.B.S. RESIN        |
| 7. | TERMINAL B.....  | NICKEL PLATED BRASS |
| 8. | TERMINAL A.....  | NICKEL PLATED BRASS |
| 9. | CAP.....         | POLYETHYLENE        |

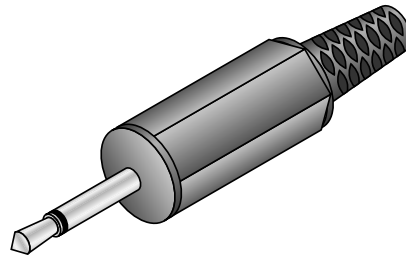
ELECTRICAL SPECIFICATIONS:

- |                            |                             |
|----------------------------|-----------------------------|
| CONTACT RESISTANCE.....    | 30 milliohms (max)          |
| INSULATION RESISTANCE..... | 100M ohms @ 250V D.C. (min) |
| WITHSTAND VOLTAGE.....     | 150V A.C. for 1 minute      |
| RATING.....                | 1A @ 15V D.C.               |

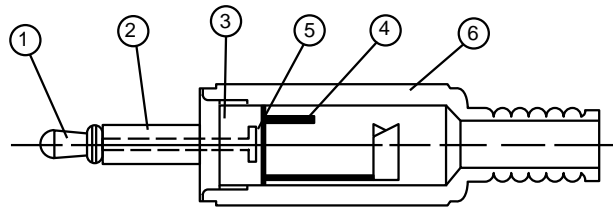
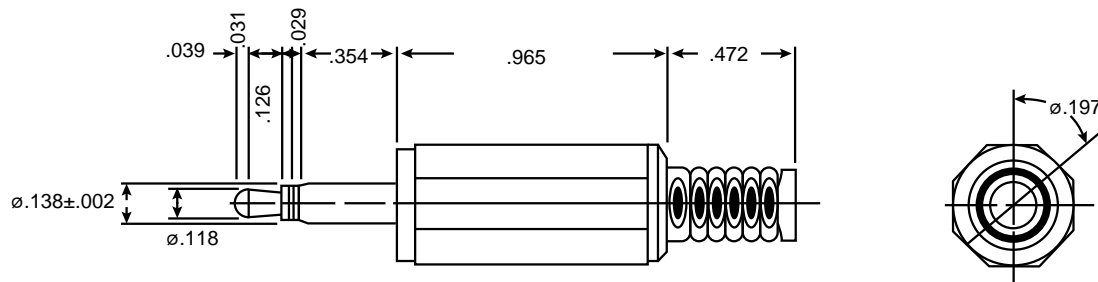
Your source for quality electronics. Toll-free full service

**(800) 346-6873**

<http://www.mouser.com>



Dimensions (In.)

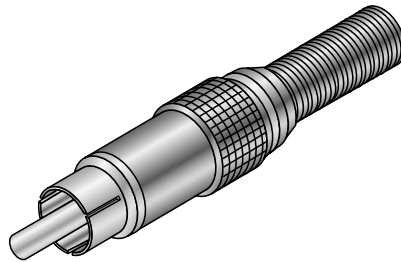


**Specifications:**

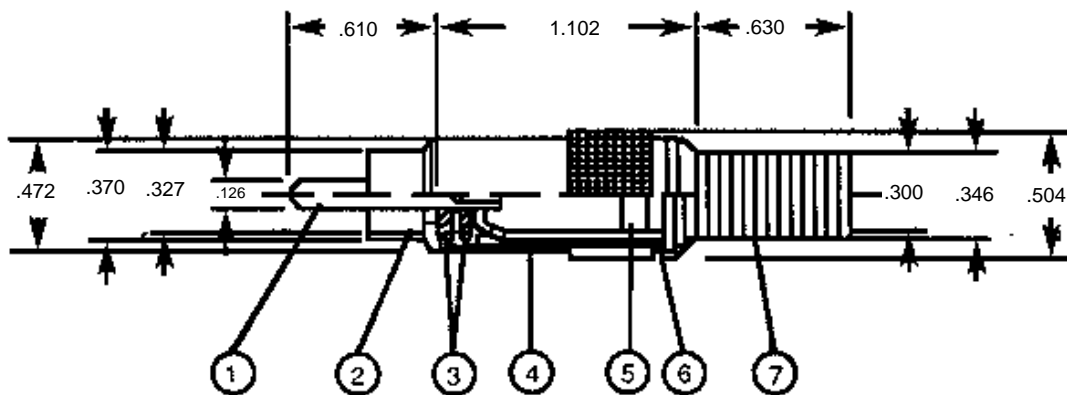
- Voltage rating: 500VAC for 1 min.
- Contact resistance: 50m $\Omega$
- Insulation resistance: 100M $\Omega$  @ 500VDC

Let	Part Name	Material	Description	Qty	Finish	Description
1	Contact	BSBM	Brass	1	NI-3	Nickel plated
2	Sleeve	BSR	Brass	1	NI-3	Nickel plated
3	Insulator	ABS		1		
4	Terminal	BSR	Brass	1	NI-3	Nickel plated
5	Pin	ST	Steel	1	NI-3	Nickel plated
6	Cap	PE	Polyethylene	1		

Your source for quality electronics. Toll-free full service  
**(800) 346-6873**



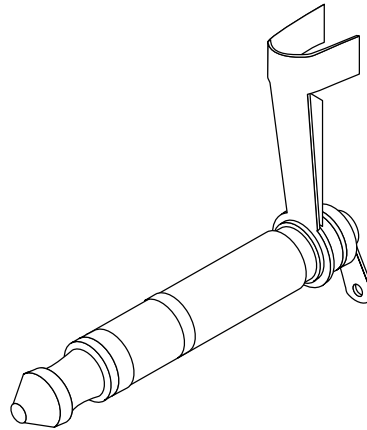
Dimensions (In.)



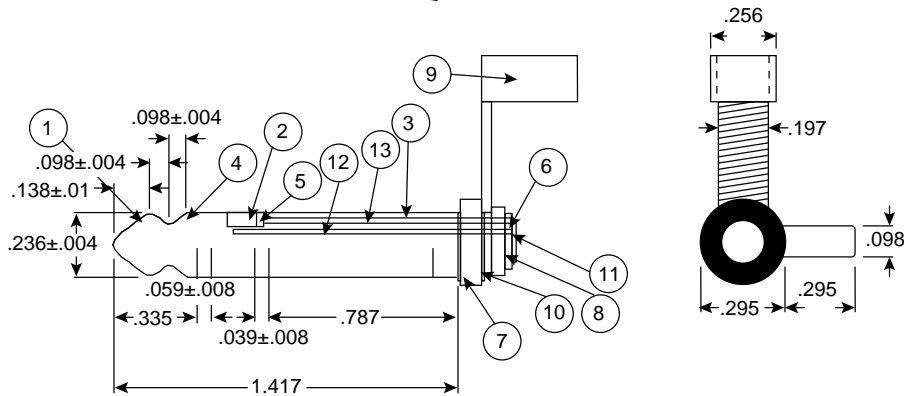
**Specification:**

- Contact resistance: 30mΩ max
- Insulation resistance: 100MΩ @ 500VDC
- Withstand voltage: 1000VAC for 1 minute
- Materials: 1) Contact - gold plated brass
- 2) Contact - gold plated brass
- 3) Insulator - bakelite
- 4) Cap - gold plated brass
- 5) Terminal - gold plated brass
- 6) Color ring - silicone rubber
- 7) Spring - gold plated piano wire

Your source for quality electronics. Toll-free full service  
**(800) 346-6873**



Dimensions (In.)



**Specifications:**

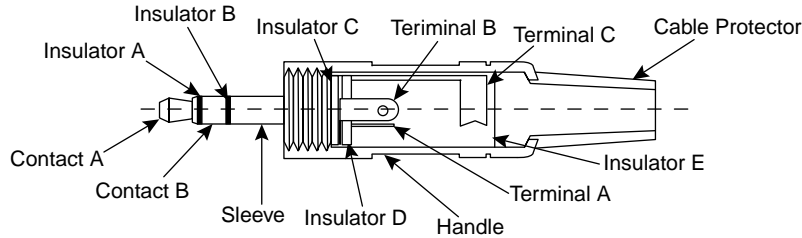
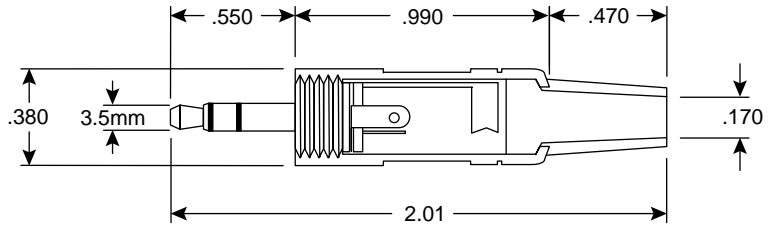
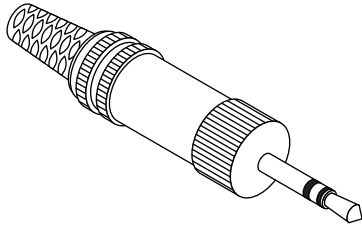
- Breakdown voltage: 500VAC/1 minute
- Insulation resistance: 100MΩ @ 500VDC (min.)
- Contact resistance: 50mΩ (max.)

1. Tip (brass)
2. Ring (brass)
3. Plug sleeve (brass)
4. Insulator (ebonite)
5. Insulator (ebonite)
6. Tip terminal
7. Insulator (fiber)
8. Insulator (fiber)
9. Ground terminal (brass)
10. Ring terminal (brass)
11. Washer (brass)
12. Insulator (polyethylene)
13. Insulator (polyethylene)

Your source for quality electronics. Toll-free full service

**(800) 346-6873**

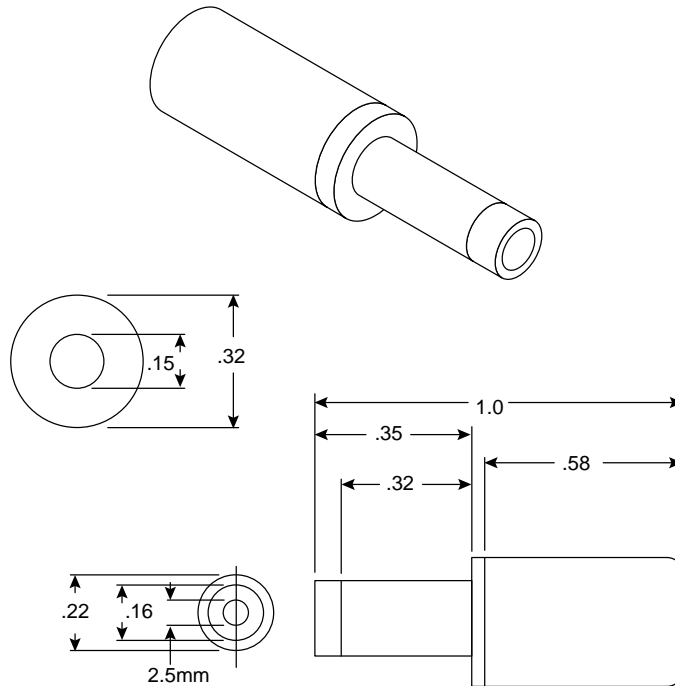
<http://www.mouser.com>



**Dimensions (In.)**  
(except where noted)

**Specifications:**

- Type: 3.5 mm stereo phone
- Insulation resistance: 100MΩ min. @500VDC
- Contact resistance: 50mΩ max.
- Breakdown voltage: 500VAC for 1 minute
- Temperature rating: 135°C
- Contacts A & B, sleeve: BSBM
- Insulators A & B: duracon
- Insulators C & D: polycarbonate
- Terminals: steel
- Handle: brass
- Insulator E & cable protector: PVC



**Dimensions (In.)**  
(except where noted)

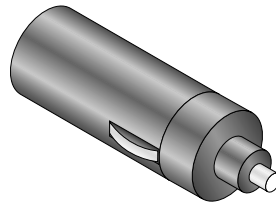
**Specifications:**

- Color: gray
- Solder terminals
- Tolerance: +0.1mm~ -0.0mm
- Body: nickel plated brass
- Cap: ABS
- Insulator: duracon

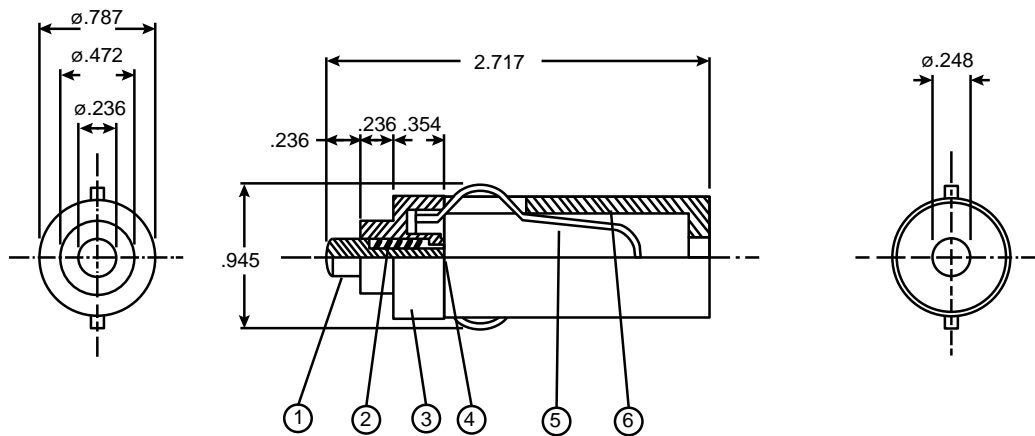
Your source for quality electronics. Toll-free full service

**(800) 346-6873**

<http://www.mouser.com>



Dimensions (In.)



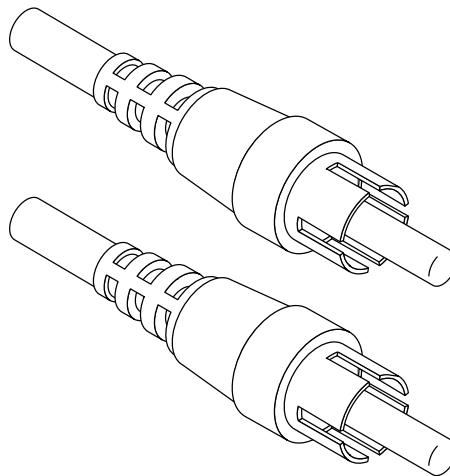
**Specifications:**

- Rating: 1A @ 12VDC
- Contact resistance: 100m max.
- Insulation resistance: 50M min. @ 250VDC
- Breakdown voltage: 250VAC for 1 minute

Let	Part name	Material
1	Contact A	BSBM Ni
2	Spring	Piano wire
3	Cap	Phenolic resin
4	Washer	BSR
5	Contact B	Steel Ni
6	Body	ABS resin

Your source for quality electronics. Toll-free full service  
**(800) 346-6873**



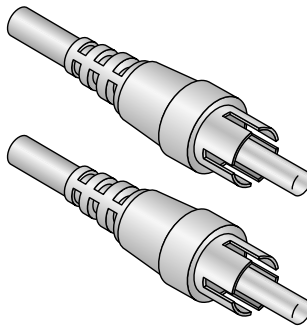
**Specifications:**

- Conductor: 0.18mm x 7
- Insulator: PVC 1mm dia.
- Braided shield wire: 0.12A x 32
- Jumper: PVC 4mm dia.
- Temperature: 80°C max.
- Cable length: 10 foot

Your source for quality electronics. Toll-free full service

**(800) 346-6873**

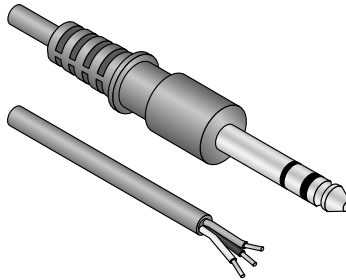
<http://www.mouser.com>



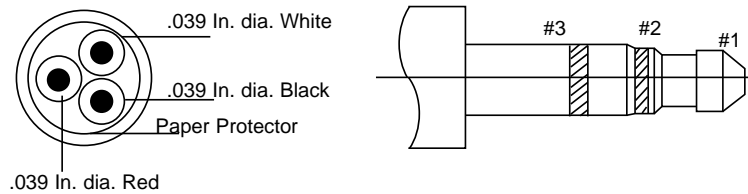
**Specifications:**

- Conductor: 0.18mm x 7 conductors
- Insulator for conductors: PVC 1mm dia.
- Braided shield wire: 0.12Ax32
- Jumper: PVC 4mm dia.
- Temperature: 80°C max
- Cable length: 5 foot

Your source for quality electronics. Toll-free full service  
**(800) 346-6873**



### Dimensions (In.)



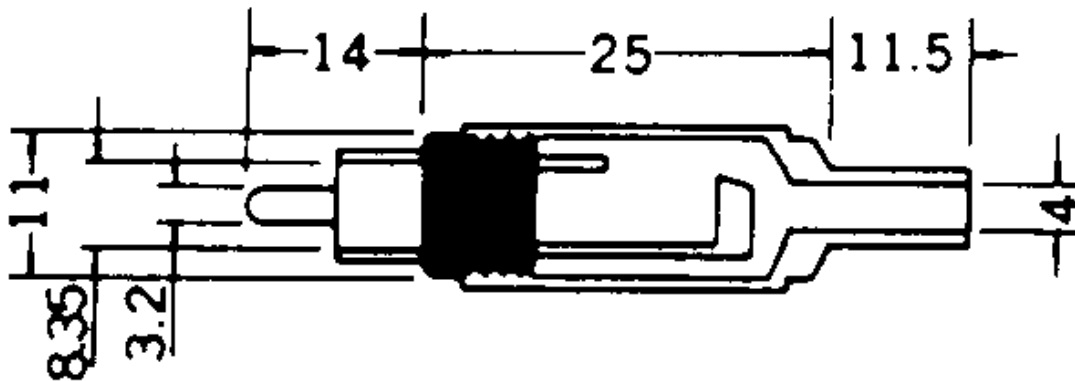
### Specifications:

- Plug type: unshield ED 1/4" stereo
- White goes to #1 tip plug
- Red goes to #2 ring terminal
- Black goes to #3 earth terminal
- Conductors: 0.12 x 10 conductors x 3, 28AWG
- O.D.: .157 inch dia. black cable
- Cable length: 6 feet
- Cable termination: stripped and tinned

Your source for quality electronics. Toll-free full service

**(800) 346-6873**

<http://www.mouser.com>



**RCA PHONO PLUG w/cable protector**

Net Weight: 3.5 gr.

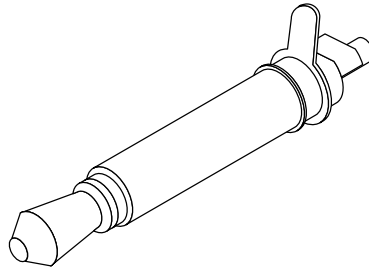
**NON-SHIELDED**

MOUSER STOCK NO.	DESCRIPTION
174-4356	RED } GENERAL PURPOSE PHONO WHITE } PLUG W/STRAIN RELIEF AND YELLOW } COLOR I.D. RING BLACK }
174-4357	
174-4358	
174-4359	

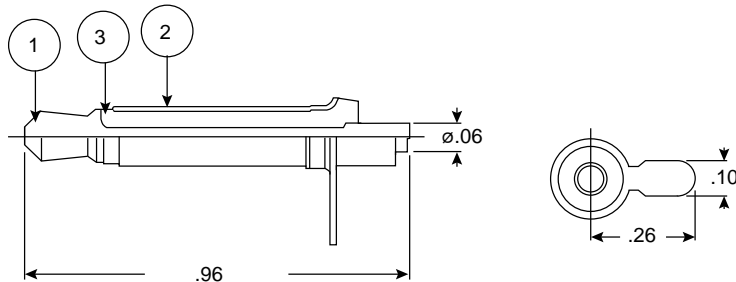
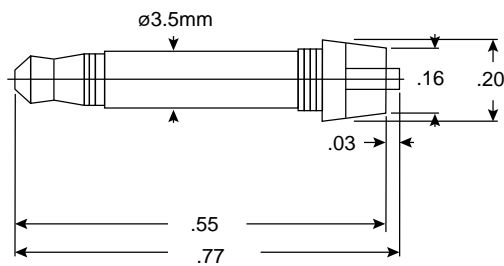
Your source for quality electronics. Toll-free full service

**(800) 346-6873**

<http://www.mouser.com>



**Dimensions (In.)**



1.	Tip	Nickel plated brass
2.	Sleeve	Nickel plated brass
3.	Insulator	Duracon

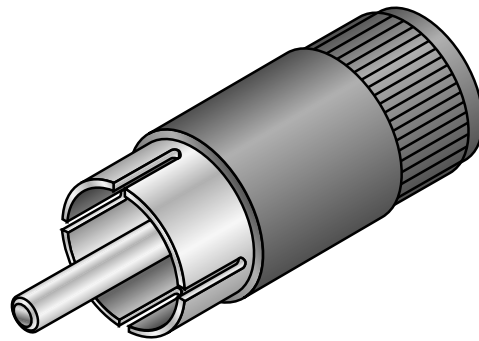
**Specifications:**

- Insulation resistance: 100m (min.) @ 500VDC
- Contact resistance: 50m (max.)
- Withstanding voltage: 1 minute/500VAC
- Temperature rating: 110°C

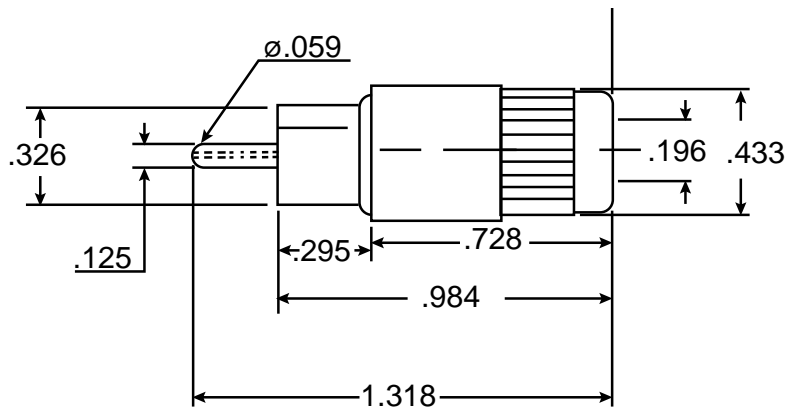
Your source for quality electronics. Toll-free full service

**(800) 346-6873**

<http://www.mouser.com>



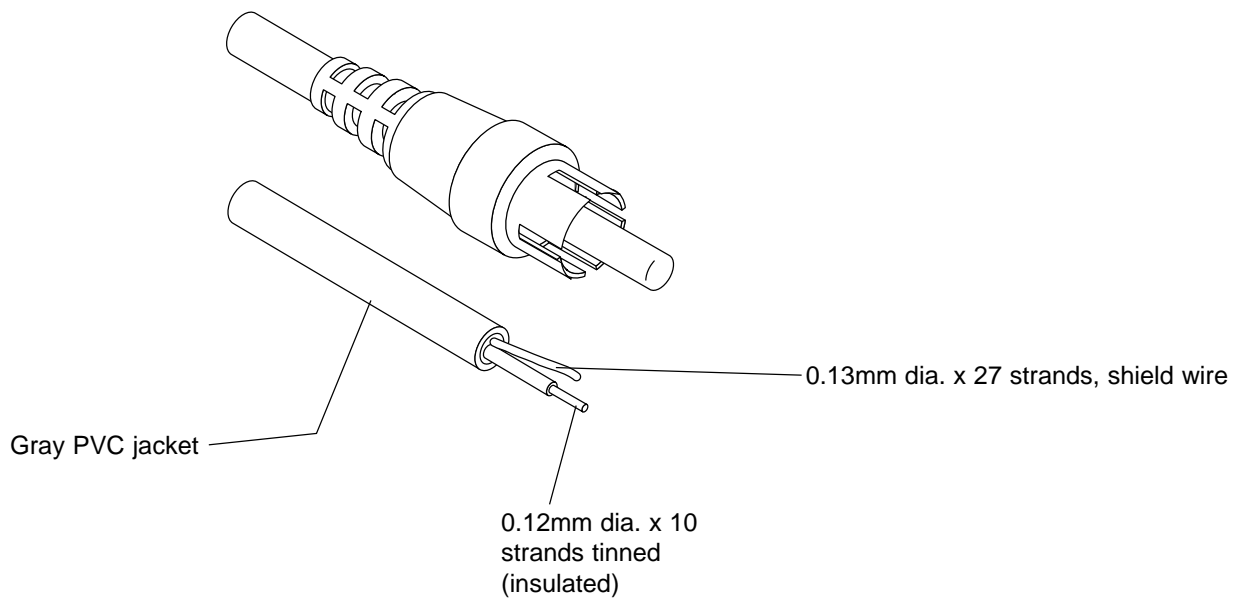
Dimensions (In.)



**Specifications:**

- Plug body: Nickel plated brass
- Contact pin: Nickel plated brass
- Terminals: Nickel plated brass
- Insulator: ABS
- Cap: 17PP051 - Red ABS plastic  
17PP052 - Black ABS plastic
- Contact resistance: 50m $\Omega$  (max)
- Insulation resistance: 100M $\Omega$  (min) @ 500VDC
- Withstand voltage: 1 minute at 500VDC

Your source for quality electronics. Toll-free full service  
**(800) 346-6873**

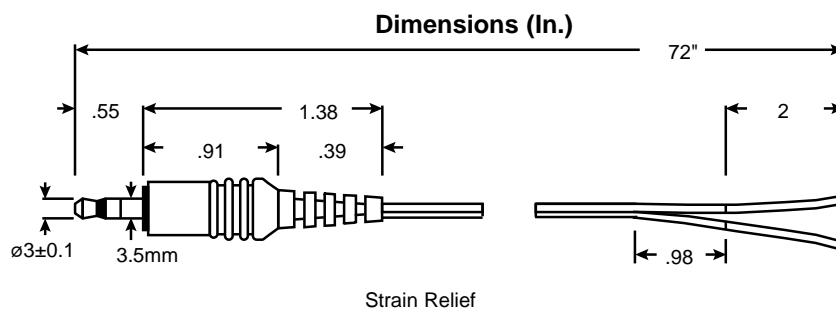
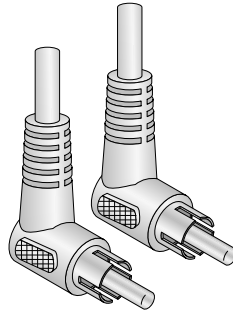
**Specifications:**

- Withstand voltage: 1 min. @ 500VAC
- Insulation resistance: 5M $\Omega$  @ 100VDC
- Cable length: 72 inches

Your source for quality electronics. Toll-free full service

**(800) 346-6873**

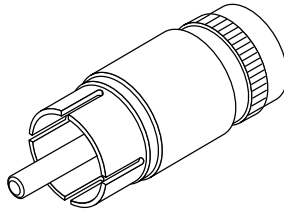
<http://www.mouser.com>

**Specifications:**

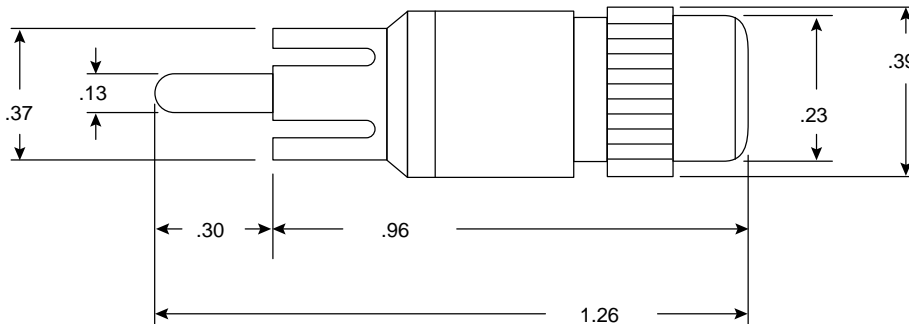
- Rated power: 300V Max.
- Conductor resistance: 81 $\Omega$  / Km / 20°C
- Temperature: 80°C Max.
- Conductor: 0.18 x 7 strands
- Outer diameter: 1.8 x 2 = 3.6mm
- Jumper: PVC
- .24 AWG
- Parallel cord: .12mm x 10 copper strands
- 2" stripped and tinned leads

Your source for quality electronics. Toll-free full service  
**(800) 346-6873**





### Dimensions (In.)



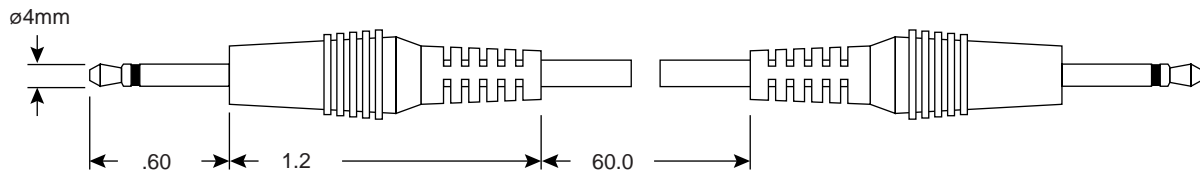
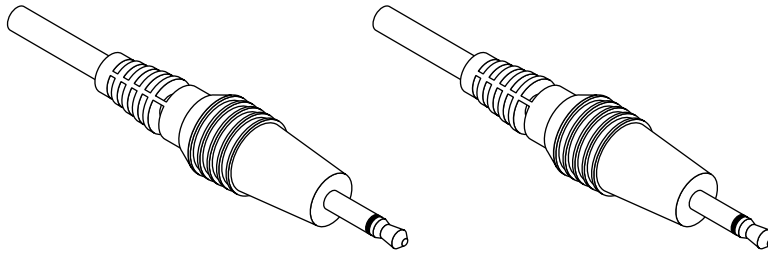
### Specifications:

- Contact resistance: 50m $\Omega$  (max)
- Insulation resistance: 100M $\Omega$  (min) @ 500VDC
- Withstand voltage: 500VDC for 1 minute

Your source for quality electronics. Toll-free full service

**(800) 346-6873**

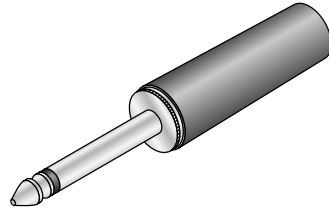
<http://www.mouser.com>



**Dimensions (In.)**  
(except where noted)

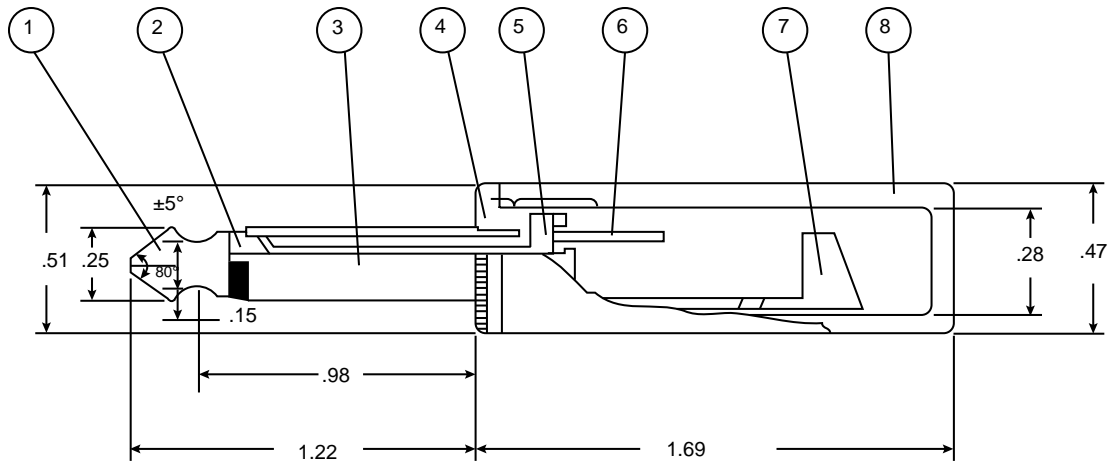
**Specifications:**

- Type: 3.5mm mono plug/3.5mm mono plug
- Color: gray
- Body & core material: PVC plastic
- Core: 1.0mm
- Shield: .12mm x 27mm
- Conductor: ø.12mm x 10 strands



17PP201: Red  
17PP202: Black

### Dimensions (In.)



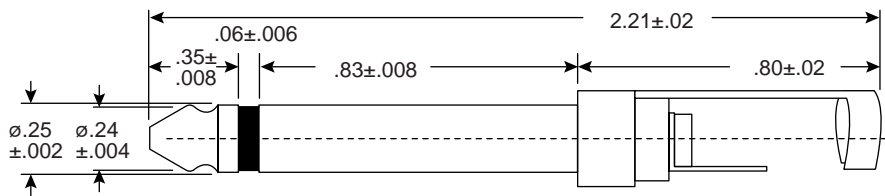
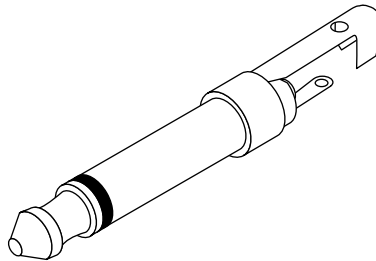
#### Electrical Specifications:

- Contact resistance: 30M $\Omega$  (max)
- Insulation resistance: 50M $\Omega$  (min) @ 500VDC
- Voltage breakdown: 250VAC 1 minute

#### Specifications:

- Housing material: ABS plastic
- 1 Tip: nickel plated brass
- 2 Insulator: ABS
- 3 Sleeve: nickel plated brass
- 4 Washer: nickel plated brass
- 5 Insulator: ABS
- 6 Tip lug: nickel plated brass
- 7 Sleeve lug: nickel plated brass
- 8 Cover: ABS

Your source for quality electronics. Toll-free full service  
**(800) 346-6873**



**Dimensions (In.)**

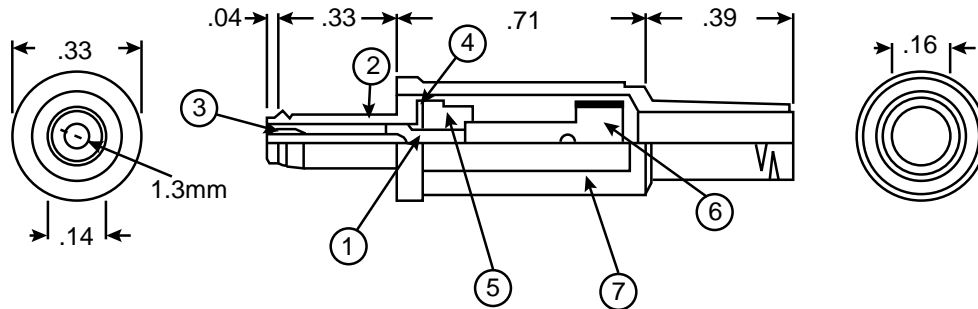
**Specifications:**

- Type: mono, custom molding, standard 2 conductor

**Application Note:**

Electrical conductivity of this plug could be effected if the molding process is not precisely controlled and engineered correctly. Factors such as temperature, pressure, and material used in the molding process can have an effect on the item being molded. Mouser has no control over these factors or the molding process and does not know enough about the various molding processes to recommend one for use. The user must determine the suitability of this product for his/her molding process.

Dimensions (In.)

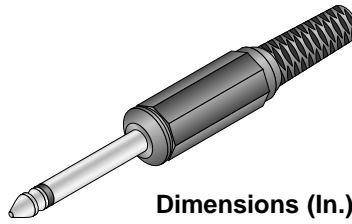


7	Cap
6	Terminal B
5	Terminal A
4	Insulator B
3	Insulator A
2	Contact spring
1	Contact pin
Let	Part name

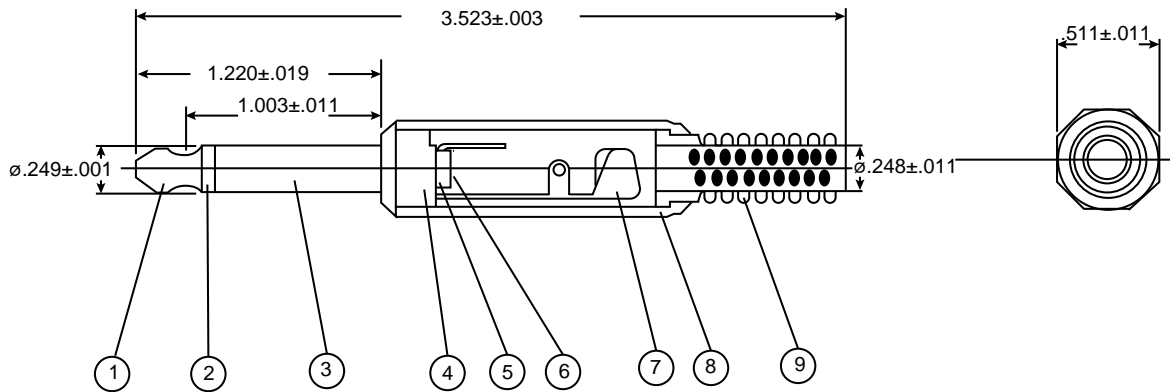
**Specifications:**

- Withstand voltage: 500VAC for 1 minute
- Insulation resistance: 100MΩ (min) @ 500VDC
- Contact resistance: 50mΩ (max.)
- Insulator material: Polycarbonate
- Temperature rating: 135°C

Your source for quality electronics. Toll-free full service  
**(800) 346-6873**



Dimensions (In.)

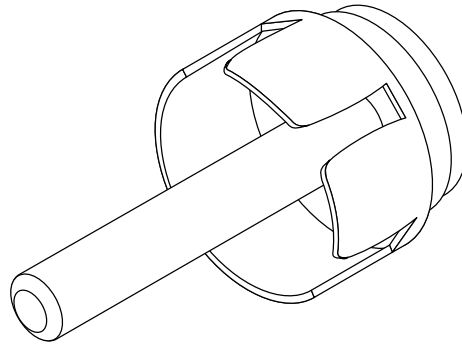


**Electrical Specifications:**

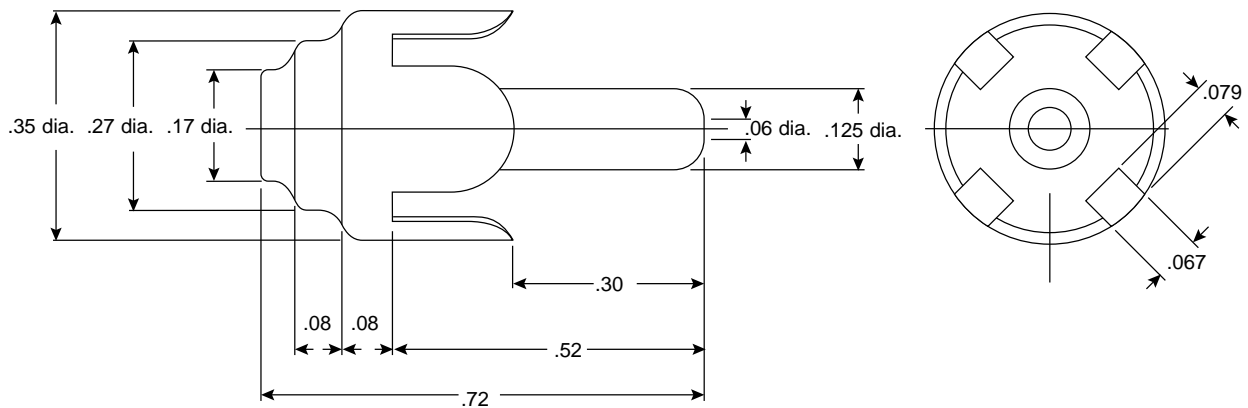
- Breakdown voltage: 500VDC for 1 minute
- Insulation resistance: 100MΩ (min) @ 500VDC
- Contact resistance: 50mΩ (min) @ 500VDC
- Temperature rating: 70°C
- 171-1203: Red
- 171-1204: Black
- 171-1205: Gray

Item No.	Part	Material	Finish
1	Tip Contact	Brass	Ni-3
2	Insulator B	ABS Resin	
3	Sleeve Contact	Brass	Ni-3
4	Insulator A	ABS Resin	
5	Terminal A	Brass	Ni-3
6	Pin	Steel	Ni-3
7	Terminal C	Steel	Ni-3
8	Cap Insulator	PP Resin	
9	Strain Relief	PVC Resin	

Your source for quality electronics. Toll-free full service  
**(800) 346-6873**



Dimensions (In.)



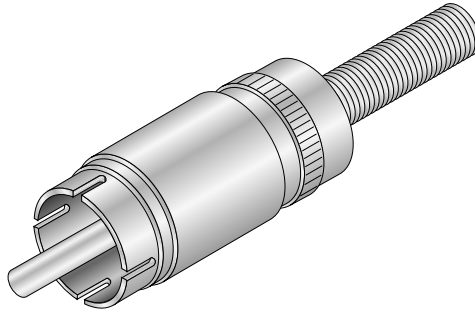
**Specifications:**

- Material: brass
- Finish: nickel plated

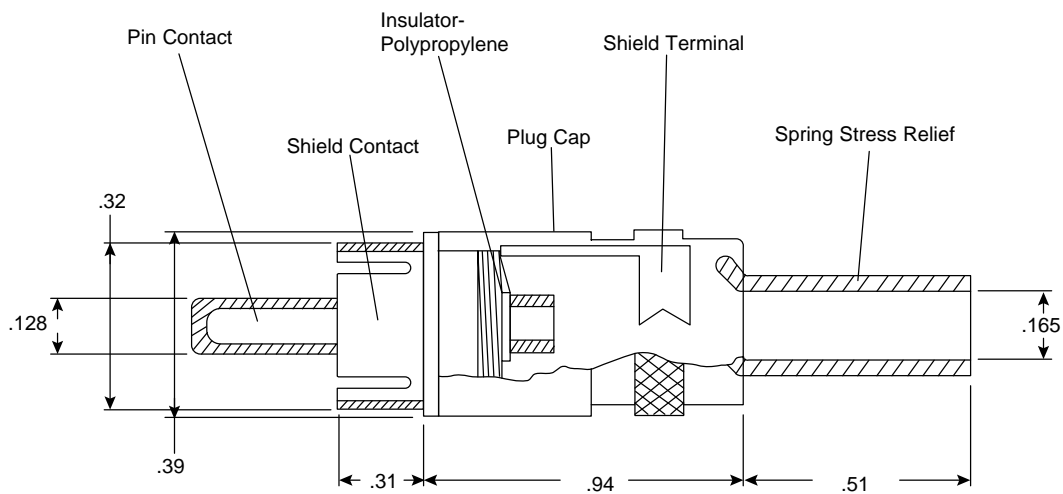
Your source for quality electronics. Toll-free full service

**(800) 346-6873**

<http://www.mouser.com>



### Dimensions (In.)

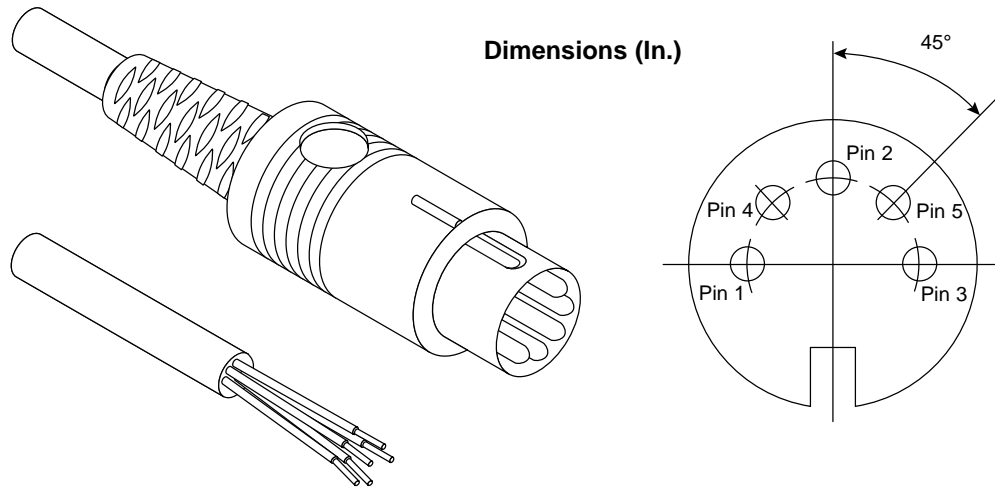


### Specifications:

- Insulation resistance: 100M $\Omega$  @ 500VDC
- Complete assembly is brass with gold plated contacts

Your source for quality electronics. Toll-free full service  
**(800) 346-6873**





Pin	Wire Color
1	Yellow
2	Shield
3	Red
4	White
5	Blue

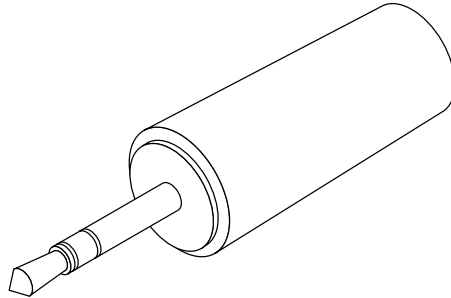
**Specifications:**

- Cable: 4 conductors each conductor is 28AWG (0.12mm dia. x 10 strands)
- Shield: 0.12mm x 45 strands
- O.D.: 5.0mm
- Insulator: black PVC
- Withstand temp.: 80°C max.
- Plug: 5 pin din plug w/180°C pin arc (45°C pin spacing)

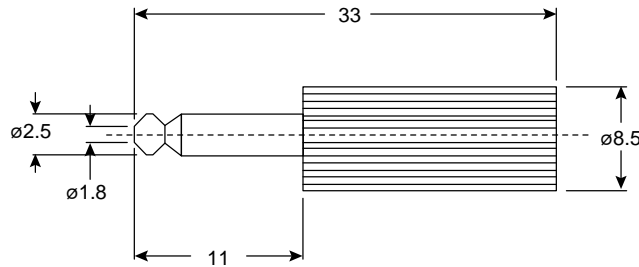
Your source for quality electronics. Toll-free full service

**(800) 346-6873**

<http://www.mouser.com>



Dimensions (mm)



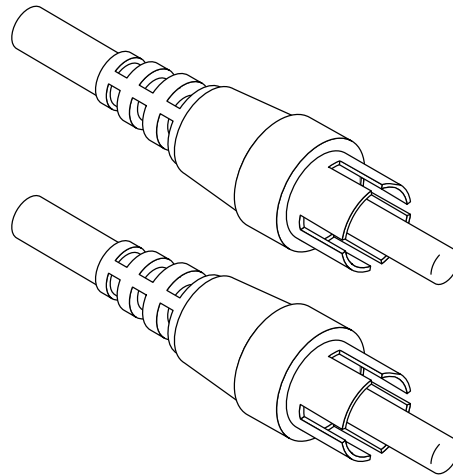
**Specifications:**

- Contact material: brass
- Plating material: nickel 2-3 my
- Mechanical life: 10,000 cycles

Your source for quality electronics. Toll-free full service

**(800) 346-6873**

<http://www.mouser.com>

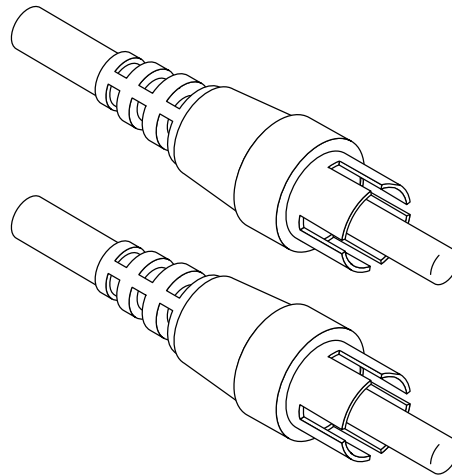
**Specifications:**

- Stress relief
- Gray PVC jacket: 4mm O.D. 0.12mm x 10 strands with braided shield wires

Your source for quality electronics. Toll-free full service

**(800) 346-6873**

<http://www.mouser.com>

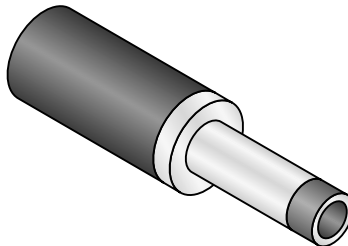
**Specifications:**

- Type: male RCA plug/male RCA plug, shielded cable
- Conductor: 38AWG x 10 strands (.10mm x 10 strands)
- Shielding: 38AWG x 26 strands (.10mm x 26 strands)
- Jacket: gray PVC
- O.D.: .138" (3.5mm)
- Length: 36" (914mm)

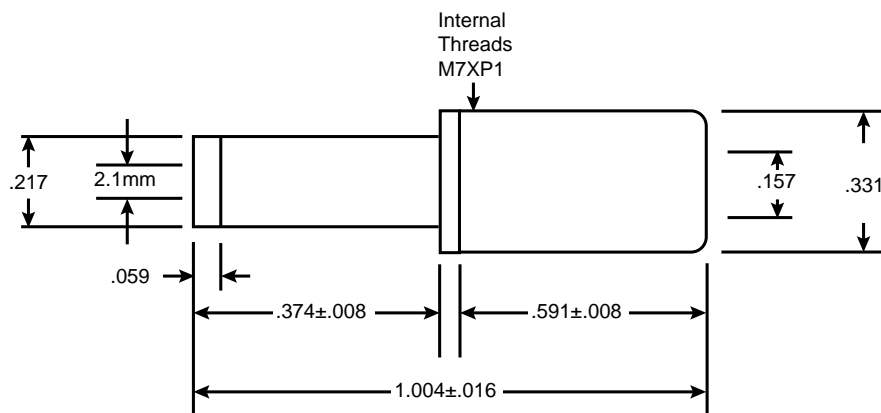
Your source for quality electronics. Toll-free full service

**(800) 346-6873**

<http://www.mouser.com>



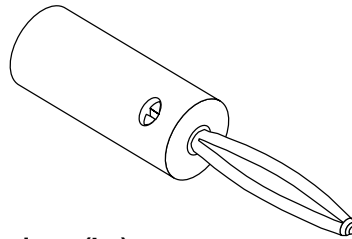
Dimensions (In.)



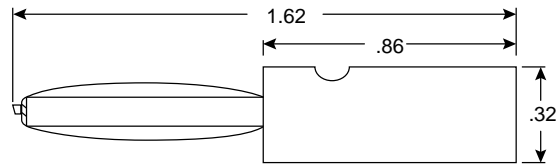
**Specifications:**

- Withstand voltage: 500VAC 1 minute
- Insulation resistance:  $100\text{M}\Omega$  (Min) 500VDC
- Contact resistance:  $50\text{m}\Omega$  (Max)
- Power rating: DC 12-13.5V @ 0.5A
- Plug body: nickel plated brass
- Contact: nickel plated brass
- Cap: ABS
- Insulator: ebonit
- Lug: tin plated brass
- Insulator: fiber

Your source for quality electronics. Toll-free full service  
**(800) 346-6873**



**Dimensions (In.)**



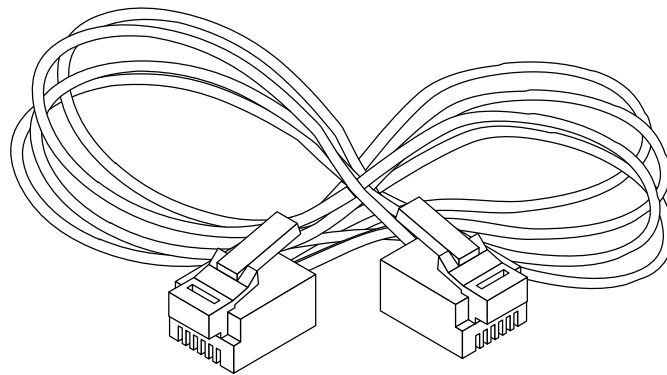
**Material Specifications:**

- Body: polysterol
- Pins: nickel plated brass
- Maximum wire diameter: 11AWG

Your source for quality electronics. Toll-free full service

**(800) 346-6873**

<http://www.mouser.com>

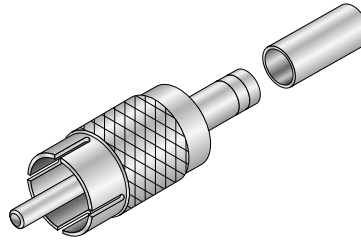
**Specifications:**

- Wire: 26 AWG
- 616 plug material: phosphor bronze with 6 micro inch gold plating
- Plastic: polycarbonate
- Electrical insulation resistance: 100M $\Omega$
- Dielectric withstand voltage: 1000VAC RMS, 60Hz
- Contact resistance: 20m $\Omega$

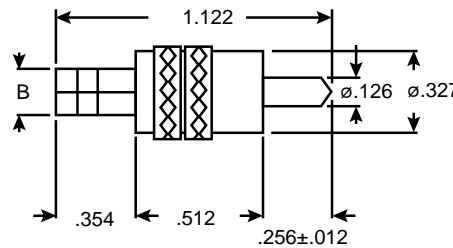
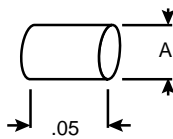
Your source for quality electronics. Toll-free full service

**(800) 346-6873**

<http://www.mouser.com>



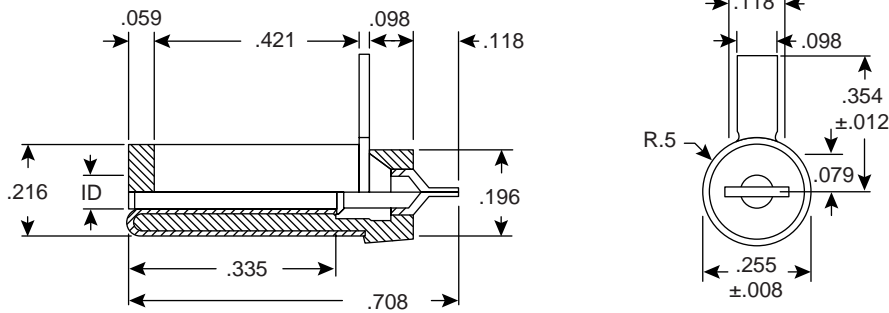
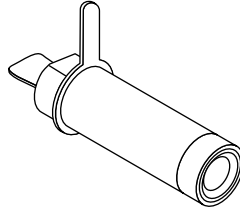
Dimensions (In.)



Mouser Stock No.	A	B	Description	Material
171-8113	.205	.122	Metal shielded body for RG58	Nickel Plated
171-8114	.268	.154	Metal shielded body for RG59	Brass

Your source for quality electronics. Toll-free full service  
**(800) 346-6873**





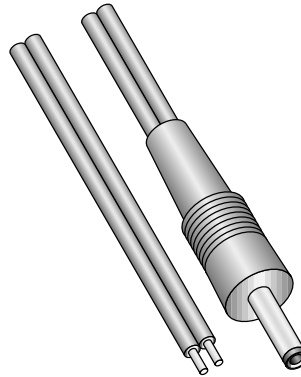
**Dimensions (In.)**  
except where noted

**Specifications:**

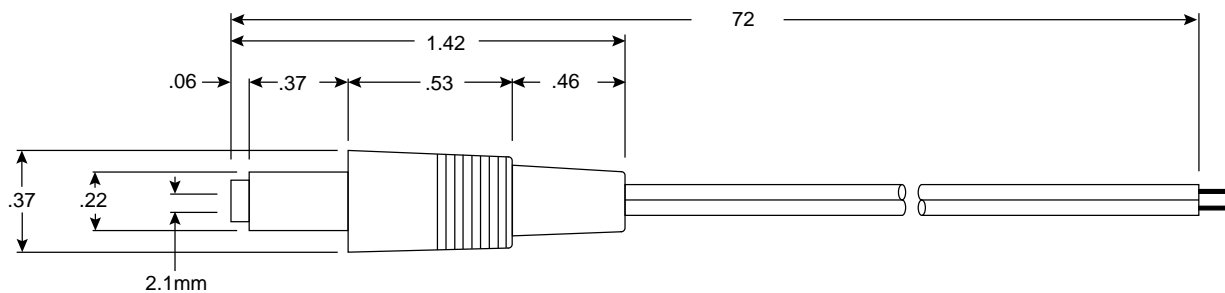
- Withstand voltage: 500VAC for 1 minute
- Insulation resistance: 100M $\Omega$  min. @ 500VDC
- Contact resistance: 50m $\Omega$  max. @ 500VDC
- Power rating: Max. 12VDC 0.5A
- Barrel size (ID): 171-3211 = 2.1mm, 171-3212 = 2.5mm
- Socket & sleeve: nickel plated brass
- Insulator: polycorbin plastic

**Application Note:**

Electrical conductivity of this plug could be effected if the molding process is not precisely controlled and engineered correctly. Factors such as temperature, pressure, and material used in the molding process can have an effect on the item being molded. Mouser has no control over these factors or the molding process and does not know enough about the various molding processes to recommend one for use. The user must determine the suitability of this product for his/her molding process.



### Dimensions (In.)



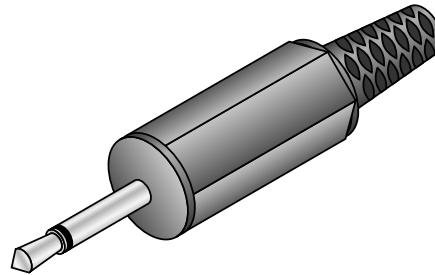
### Specifications:

- Capacity: 150pF/m max.
- Flame rating: 94H
- Temperature: -20°C to +70°C
- Stranding / AWG: 7 x .18mm 24-25 AWG
- Cable type: parallel, PVC
- Color: gray

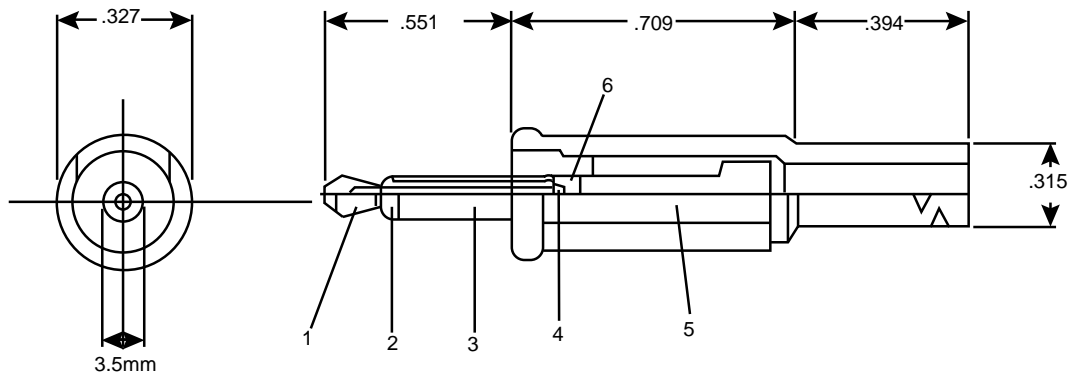
Your source for quality electronics. Toll-free full service

**(800) 346-6873**

<http://www.mouser.com>



Dimensions (In.)

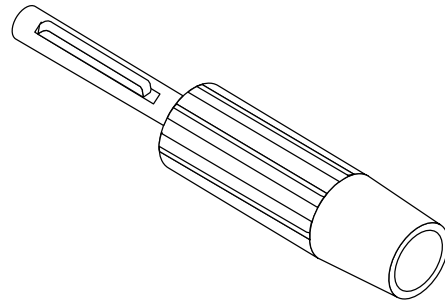


Item	Part	Plating
1	Tip	Nickel plated brass
2	Insulator	ABS
3	Sleeve	Nickel plated brass
4	Tip terminal	Nickel plated copper
5	Cap	PP
6	Sleeve terminal	Nickel plated brass

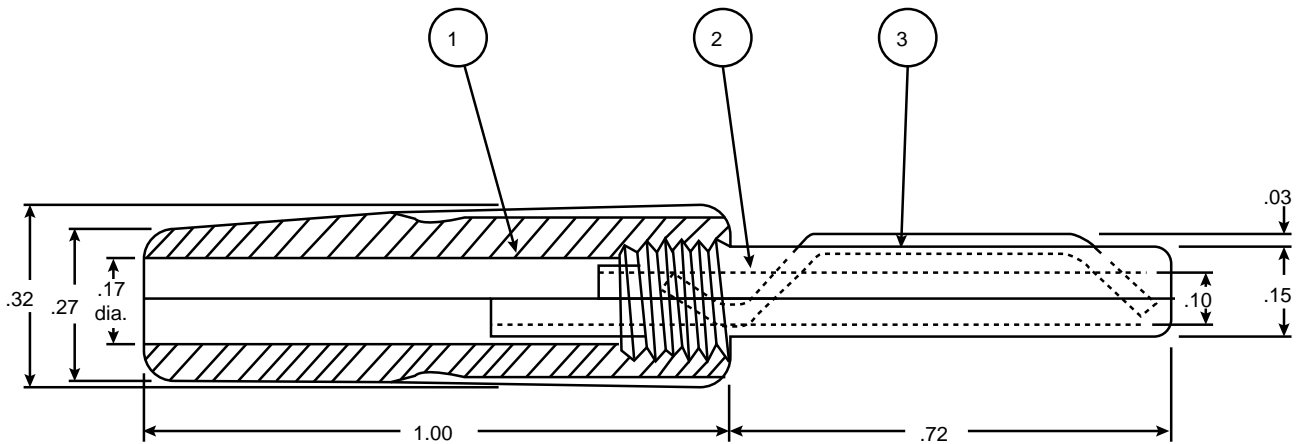
**Specifications:**

- Temperature rating: 80°C
- Breakdown voltage: 500VAC for 1 minute
- Insulation resistance: 100MΩ @ 500VDC
- Contact resistance: 50mΩ (max)
- Life time: 10,000 cycles (min)

Your source for quality electronics. Toll-free full service  
**(800) 346-6873**



Dimensions (In.)



**Specifications:**

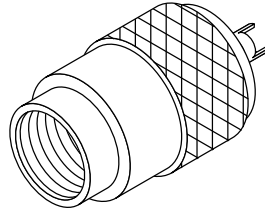
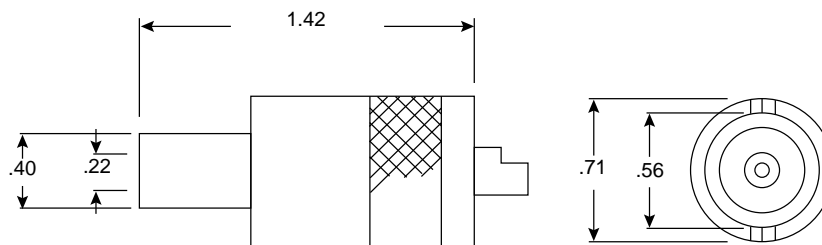
- 17HR549: red housing
- 17HR550: black housing

Pin	Description	Material	Finish
1	4mm plug housing	Acetal	-
2	Plug pin	Brass BS 2874	Bright tin plated
3	Spring	Stainless steel wire 18/8	-

Your source for quality electronics. Toll-free full service

**(800) 346-6873**

<http://www.mouser.com>

**Dimensions (In.)****Specifications:**

- Contact resistance: max.  $3\text{m}\Omega$  @ DC 1A
- Insulation resistance: min.  $100\text{M}\Omega$  @ DC 1A
- Withstanding voltage: 1000VAC for 1 minute

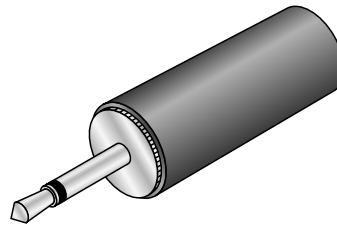
**Material Specifications:**

- Pin: silver plated brass
- Insulator: phenolic resin
- Ring: nickel plated brass
- Body: nickel plated brass

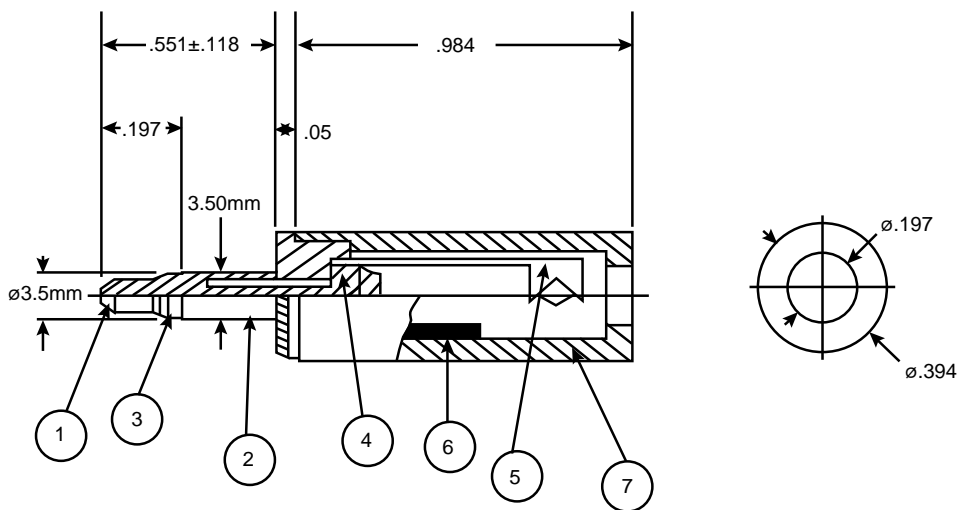
Your source for quality electronics. Toll-free full service

## (800) 346-6873

<http://www.mouser.com>



Dimensions (In.)

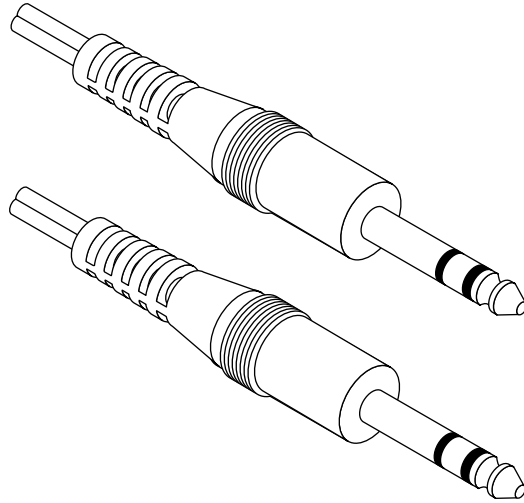


1.	Cap	Nickel plated brass
2.	Tip lug	Nickel plated brass
3.	Ground	Noril
4.	Insulator	Polypropylene
5.	Insulator	Nickel plated brass
6.	Sleeve	Nickel plated brass
7.	Tip	ABS plastic

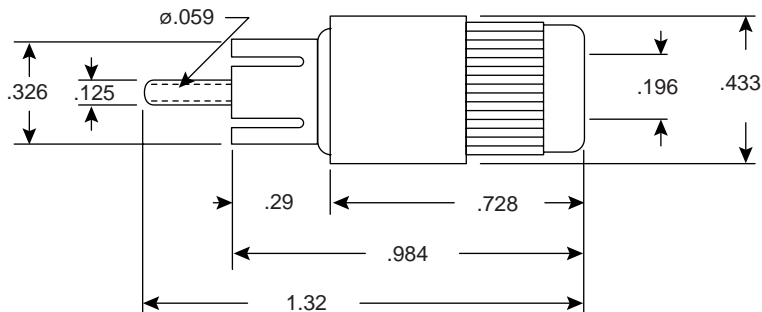
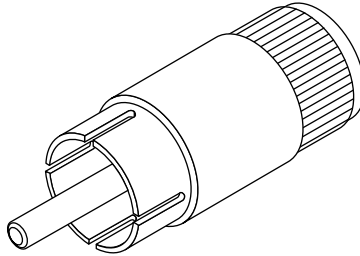
**Specifications:**

- Contact resistance: 50mΩ max.
- Insulation resistance: 100Ω min. @ 500VDC
- Dielectric strength: 500VAC for 1 minute

Your source for quality electronics. Toll-free full service  
**(800) 346-6873**

**Specifications:**

- Type: 1/4" stereo plug/1/4" stereo plug, shielded
- Color: black
- Cable: 38 strands
- Wire: .12mm x 2
- OD: 2.9mm/5.8mm
- Length: 72 inches

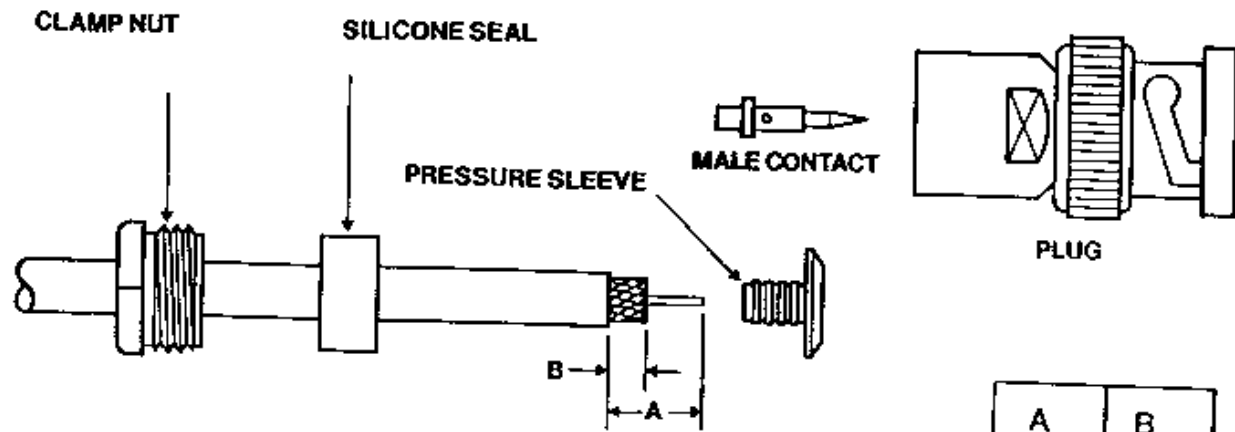


Dimensions (In.)

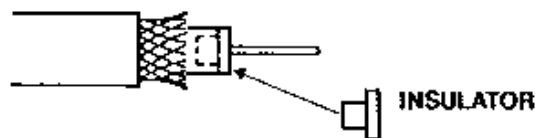
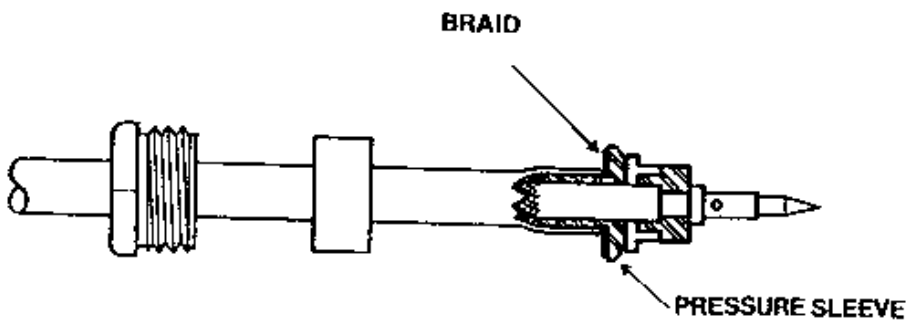
#### Specifications:

- Type: non-shielded, hollow center pin
- Body, terminals, & pin: nickel plated brass
- Insulator: hi-temp. phenolic
- Contact resistance:  $50\text{m}\Omega$  (max)
- Insulation resistance:  $100\text{M}\Omega$  (min) @ 500VDC
- Withstand voltage: 500VDC for 1 minute
- Thread size: PF 3/8" 32





	A	B
mm	8.3	5.3
inch	.33	.21

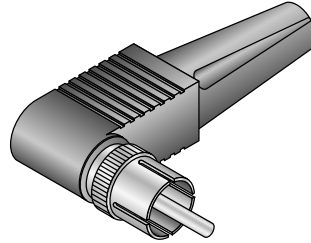


USED ONLY WITH RG62 CABLE

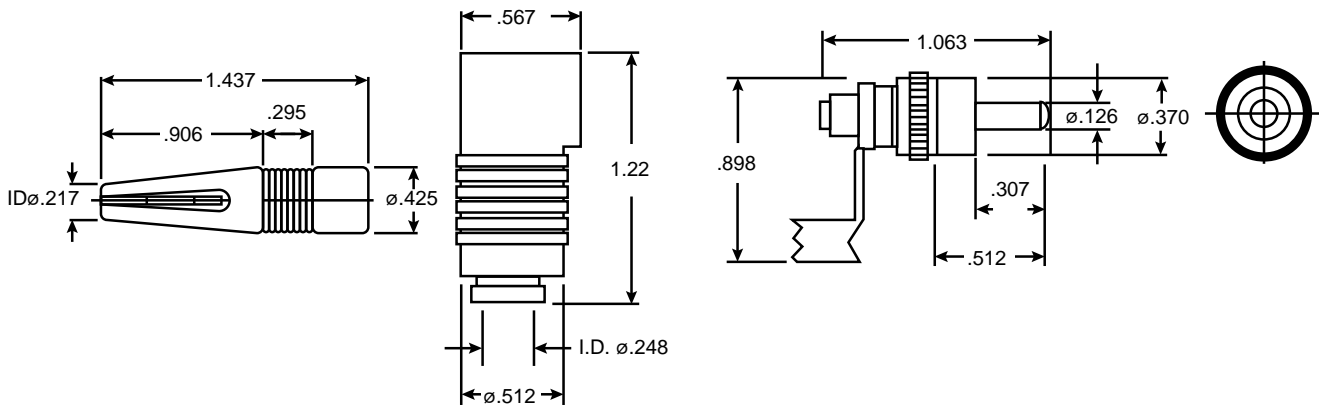
Your source for quality electronics. Toll-free full service

**(800) 346-6873**

<http://www.mouser.com>



**Dimensions (In.)**

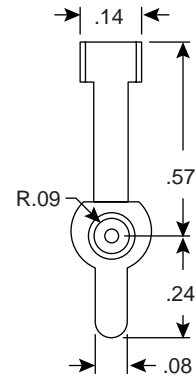
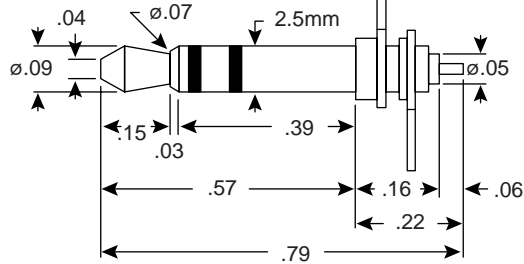
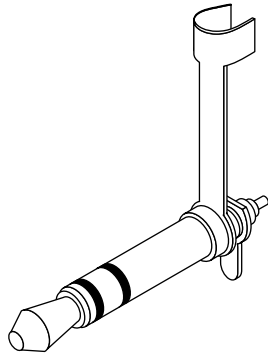


**Specifications:**

- RCA plug: nickel plated brass
- Insulation: delrin
- Boot: PVC

Your source for quality electronics. Toll-free full service

**(800) 346-6873**



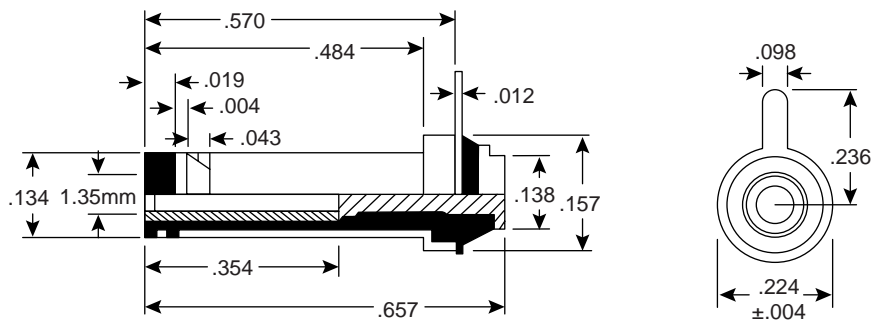
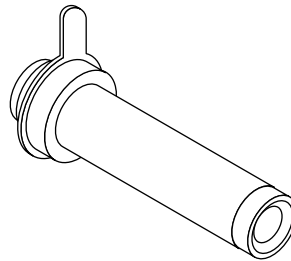
**Dimensions (In.)**  
except where noted

**Specifications:**

- Type: custom molding applications, straight or right angle, 171-3205 = stereo, 171-3206 = mono
- Insulator: duracon
- Contacts: nickel plated brass
- Dielectric strength: 500VAC for 1 minute
- Insulation resistance:  $\geq 100M\Omega$  @ 500VDC
- Contact resistance: 50m $\Omega$  max.
- Temperature rating: 110°C

**Application Note:**

Electrical conductivity of this plug could be effected if the molding process is not precisely controlled and engineered correctly. Factors such as temperature, pressure, and material used in the molding process can have an effect on the item being molded. Mouser has no control over these factors or the molding process and does not know enough about the various molding processes to recommend one for use. The user must determine the suitability of this product for his/her molding process.



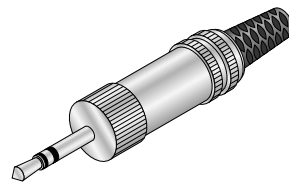
**Dimensions (In.)**  
except where noted

**Specifications:**

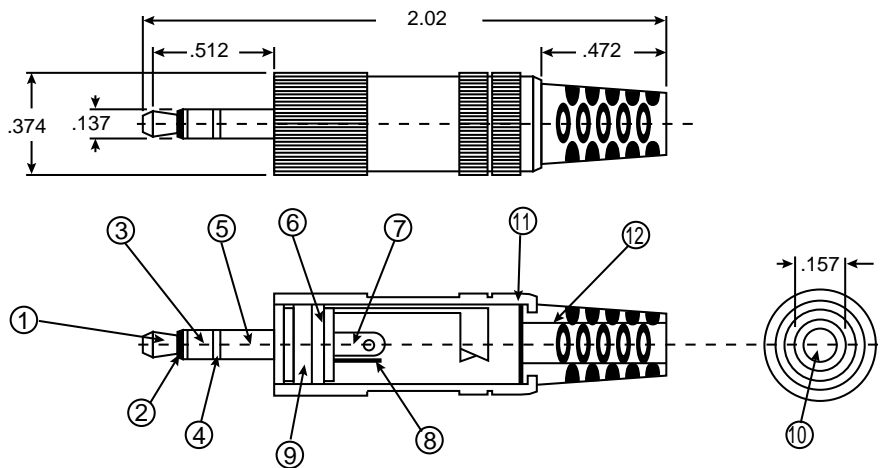
- Dielectric strength: 500VAC for 1 minute
- Insulation resistance: 100MΩ min. @ 500VDC
- Contact resistance: 50mΩ max.
- Temperature rating: 110°C
- Insulator: duracon
- Metal: nickel plated brass

**Application Note:**

Electrical conductivity of this plug could be effected if the molding process is not precisely controlled and engineered correctly. Factors such as temperature, pressure, and material used in the molding process can have an effect on the item being molded. Mouser has no control over these factors or the molding process and does not know enough about the various molding processes to recommend one for use. The user must determine the suitability of this product for his/her molding process.



Dimensions (In.)



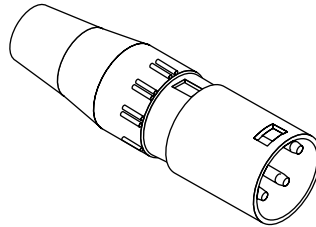
No.	Part Name	Quantity	Material	Finish
1.	Contact A	1	BSBM	NI-P
2.	Insulator A	1	ABS Resin	
3.	Contact B	1	BSBM	NI-P
4.	Insulator B	1	ABS Resin	
5.	Contact C	1	BSBM	NI-P
6.	Body	1	ABS Resin	
7.	Terminal B	1	BSBM	NI-P
8.	Terminal A		BSBM	NI-P
9.	Insulator C		Polycarbonate	
10.	Pin		Steel	
11.	Cap		BSBM	NI-P
12.	Cable Protector		PVC	NI-P

**Electrical Specifications:**

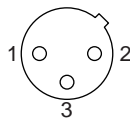
- Dielectric strength: 500VAC for 1 minute
- Insulation resistance: 100MO min. @ 500VAC
- Contact resistance: 50mO max.
- Temperature rating: 135°C

Your source for quality electronics. Toll-free full service

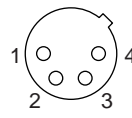
**(800) 346-6873**



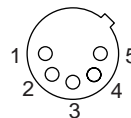
174-7123



174-7124



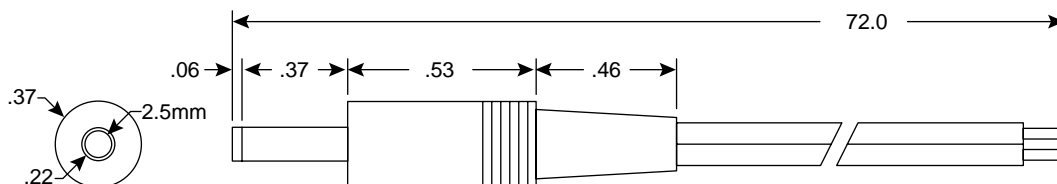
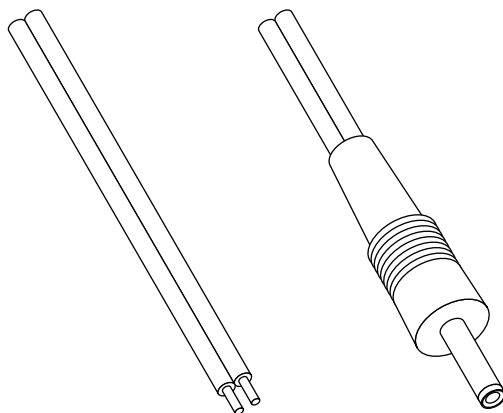
174-7125



**Specifications:**

- Type: male
- Housing: zinc high pressure diecast
- Finish: satin nickel or black chrome
- Contacts: silver plated solid brass
- Pin base moldings: noryl (UL94V-1)
- Grommets: santoprene
- Collets: acetal
- Working voltage: 250VDC or AC peak
- Test voltage: 1500VAC
- Contact resistance: 3mΩ max.
- Temperature range: -30°C ~ +80°C

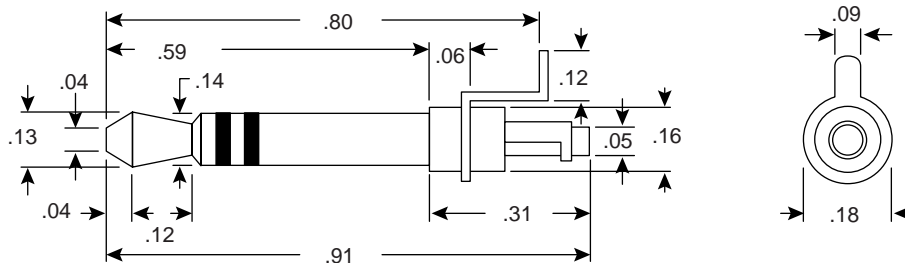
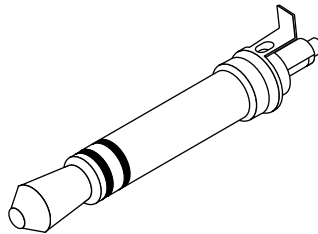
Mouser Stock No.	No. of Pins	Current Rating	Maximum Wire Gauge
174-7123	3	16A	12AWG
174-7124	4	10A	16AWG
174-7125	5	7.5A	18AWG



**Dimensions (In.)**  
(except where noted)

**Specifications:**

- Capacity: 150pF/m max.
- Temperature range: -20~+70°C
- Cable type: parallel w/ striped pin indicator, PVC, 24AWG
- Termination: stripped & tinned
- Stranding: .0047" x 10 strands x2
- Flammability rating: 94H
- Color: gray



Dimensions (In.)

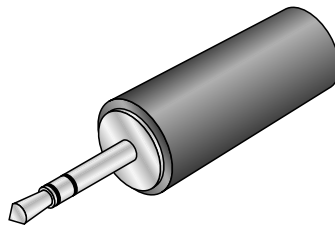
**Specifications:**

- Type: stereo, custom molding application, straight or right angle
- Temperature rating: 110°C
- Insulation resistance: 100Ω min. @ 500VDC
- Contact resistance: 50mΩ max.
- Withstand voltage: 500VAC for 1 minute
- Insulator: duracon
- Terminal: nickel plated steel
- Tip, ring, & sleeve: nickel plated brass

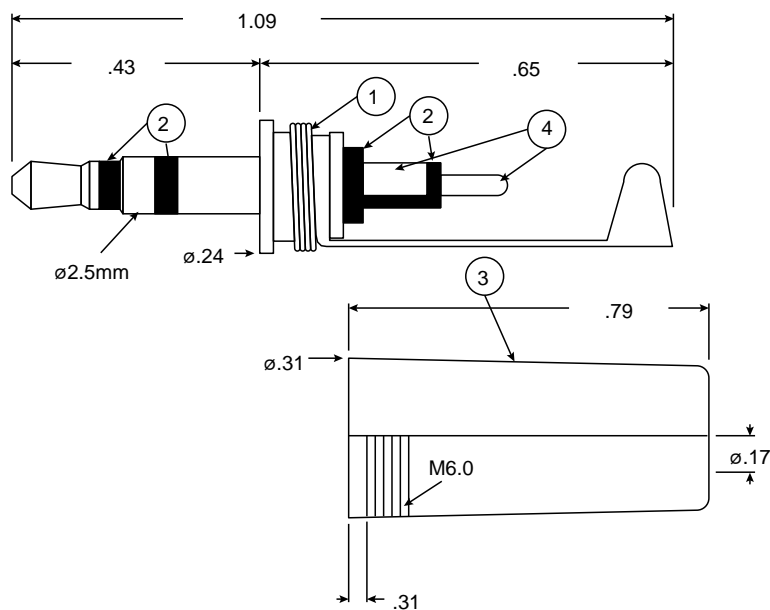
**Application Note:**

Electrical conductivity of this plug could be effected if the molding process is not precisely controlled and engineered correctly. Factors such as temperature, pressure, and material used in the molding process can have an effect on the item being molded. Mouser has no control over these factors or the molding process and does not know enough about the various molding processes to recommend one for use. The user must determine the suitability of this product for his/her molding process.





### Dimensions (In.)



### Specifications:

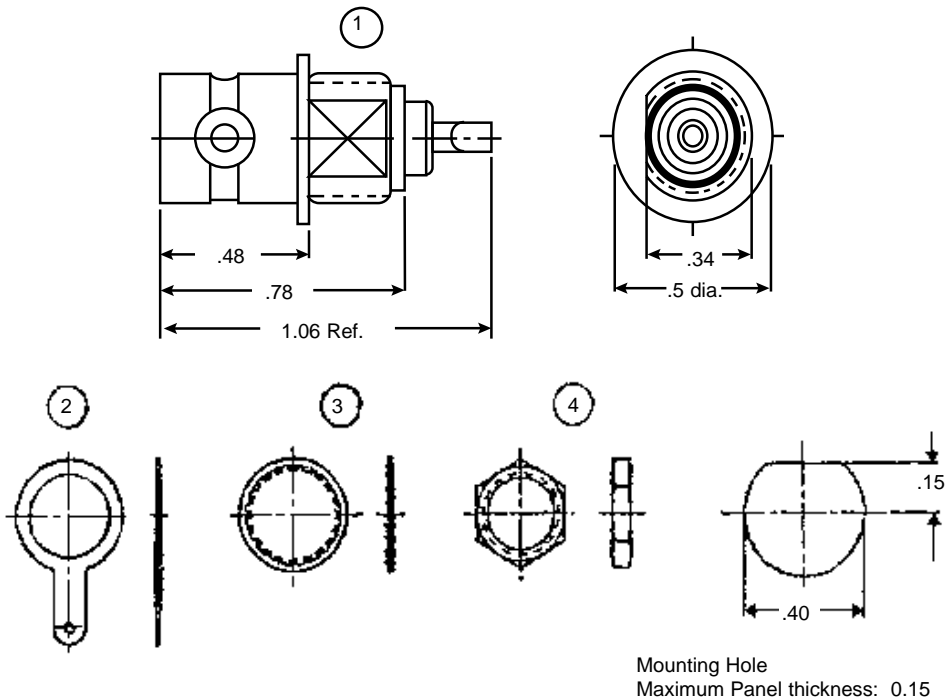
- Contact resistance: 50m $\Omega$  max.
- Insulation resistance: 100M $\Omega$  min. @ 500VDC
- Withstand voltage: 500VAC for 1 minute
- Temperature rating: 70°C

### Material Specifications:

1. Body: nickel plated brass
2. Insulator: ABS plastic
3. Handle: ABS (black) plastic
4. Terminal: silver plated brass

Your source for quality electronics. Toll-free full service  
**(800) 346-6873**

**DIMENSIONS (IN.)**



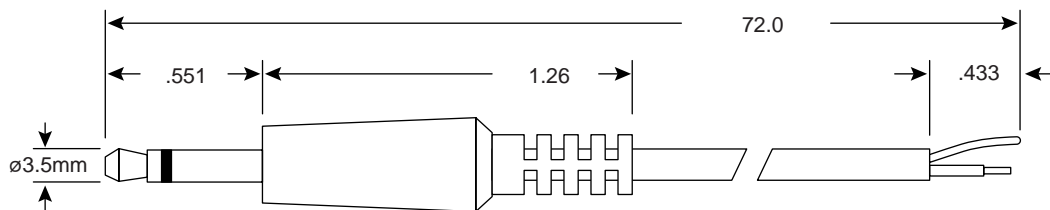
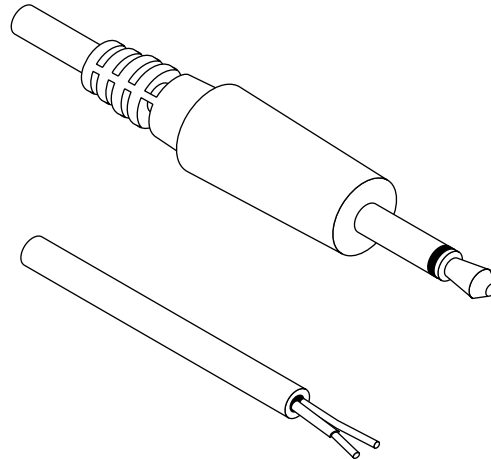
**Specifications:**

- Nominal impedance: 50Ω
- Frequency range: 0-4 GHz
- VSWR: 1.3 (max.)
- Working voltage: 500VRMS
- Insulation resistance: 5000MΩ (min.)
- Contact resistance: Inner contact - 1.5MΩ (max.)  
Outer Contact - .2MΩ (max.)
- Temperature range: -55°C to +85°C
- Vibration, shock, moisture resistance: MIL-Standard 202

No.	Quantity	Component Part	Material	Finish
1	1	BNC Straight Plug	Body: Brass Contact: Phosphor Bronze Insulator: Teflon	Nickel Plating
2	1	Grounding	Iron	Nickel Plating
3	1	Lock Washer	Phosphor Bronze	Nickel Plating
4	1	Nut	Brass	Nickel Plating

Your source for quality electronics. Toll-free full service

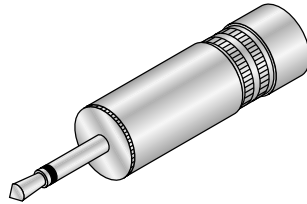
**(800) 346-6873**



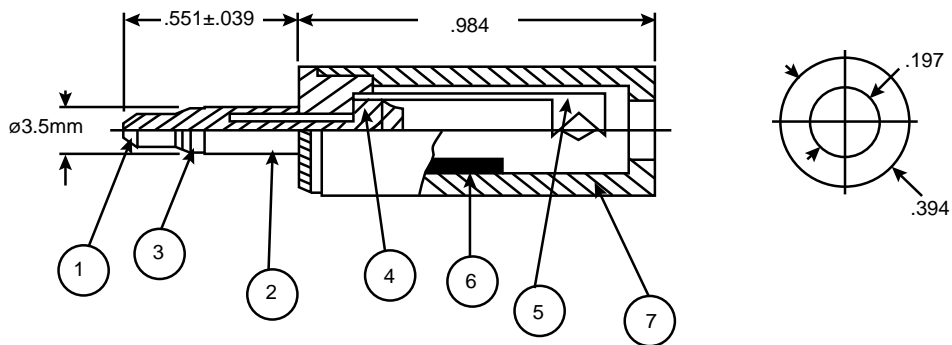
**Dimensions (In.)**  
(except where noted)

**Specifications:**

- Type: 3.5mm phone plug/stripped & tinned
- Color: gray
- Conductor: .12mm x 10
- Shielded wire: .12
- Cable: OD =  $\varnothing$ .4mm; PVC (-60°C)
- Core: .051; PVC cover (105°C)
- Withstand voltage: 500VAC for 1 minute



**Dimensions (In.)**



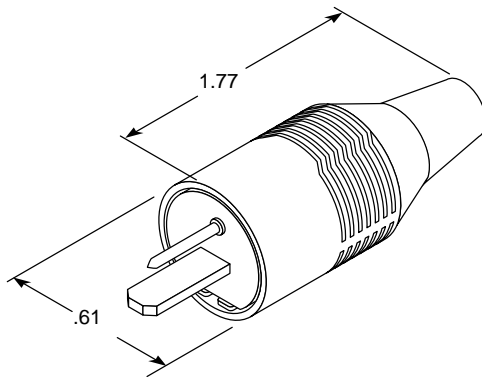
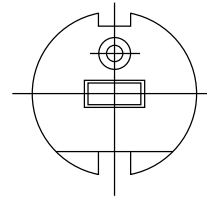
1.	Tip	Nickel plated brass
2.	Sleeve	Nickel plated brass
3.	Insulator (collar)	Noril
4.	Insulator	Phenol
5.	Ground terminal	Nickel plated brass
6.	Tip terminal	Nickel plated brass
7.	Metal handle	Nickel plated brass

**Specifications:**

- Withstand voltage: 500VAC/1 minute
- Contact resistance: 10mΩ max.
- Insulation resistance: 100MΩ min. @ 500VDC
- Temperature rating: 200°C

Your source for quality electronics. Toll-free full service

**(800) 346-6873**

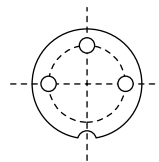
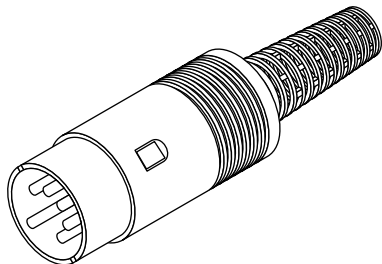
**Dimensions (In.)****Specifications:**

- Voltage rating: 100V
- Current rating: 4A
- Contact resistance: <math>< 2\text{m}\Omega</math>
- Temp. range:  $-25^{\circ}\text{C}$  to  $+70^{\circ}\text{C}$
- Finish: matte chrome or black non-reflective

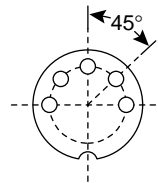
Your source for quality electronics. Toll-free full service

**(800) 346-6873**

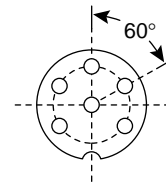
<http://www.mouser.com>



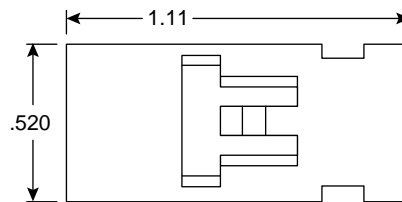
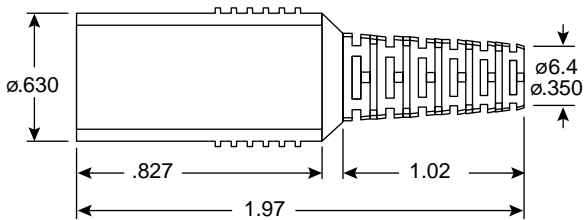
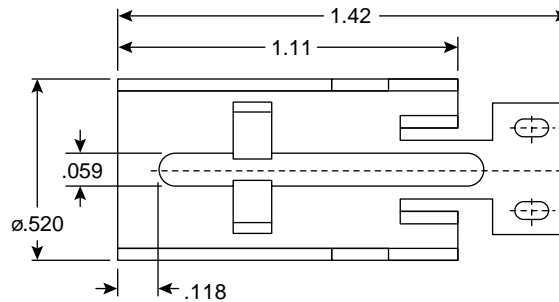
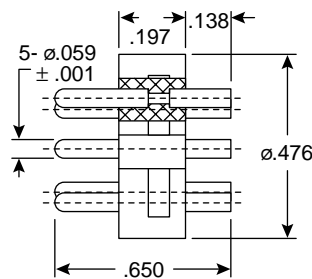
171-0273



171-0275



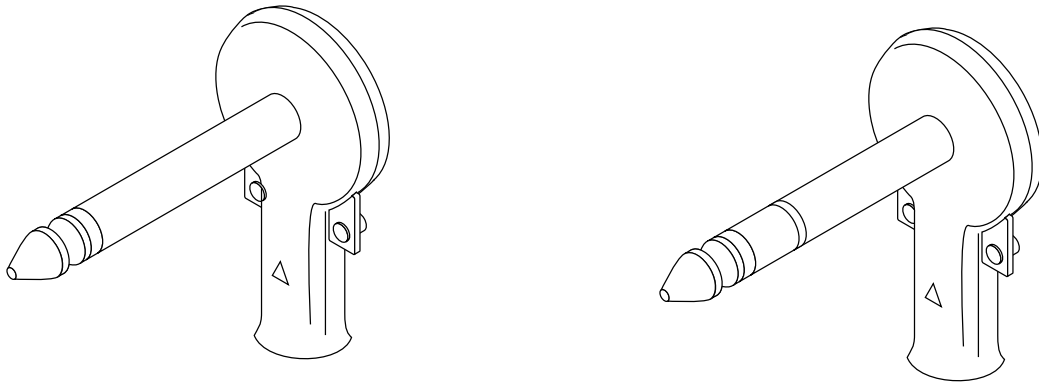
171-0276



### Dimensions (In.)

### Specifications:

- Type: plug
- Body material: ABS 5. PVC
- Color: black
- Pins: copper plated silver
- Degrees of arc: 3 & 5 pin, 180°; 6 pin, 240°
- Hardware included: strain relief



These 1/4" phone plugs feature all metal construction and are recommended for applications where a more rugged connector is required. The right angle construction allows their use where space does not permit the use of conventional long handled plugs

**Specifications:**

- Finish: nickel plated
- Plug: standard 1/4" (6.3mm)

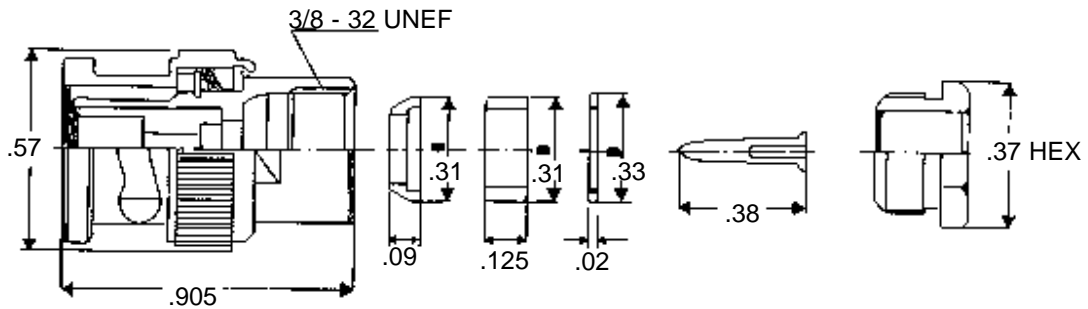
Mouser Stock No.	Switchcraft Type	Description
171-1206	228	2 conductor 1/4" phone plug
171-1306	238	3 conductor 1/4" phone plug

Your source for quality electronics. Toll-free full service

**(800) 346-6873**

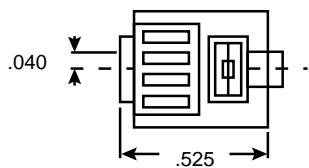
<http://www.mouser.com>

### Dimensions (In.)

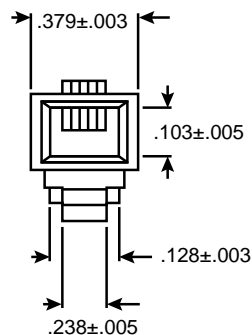
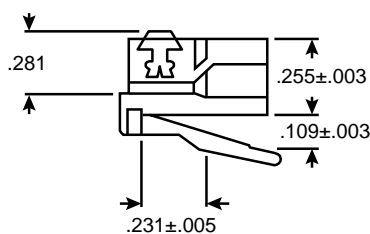
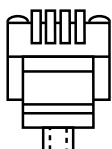


Your source for quality electronics. Toll-free full service  
**(800) 346-6873**





Dimensions (In.)



**Electrical Specifications:**

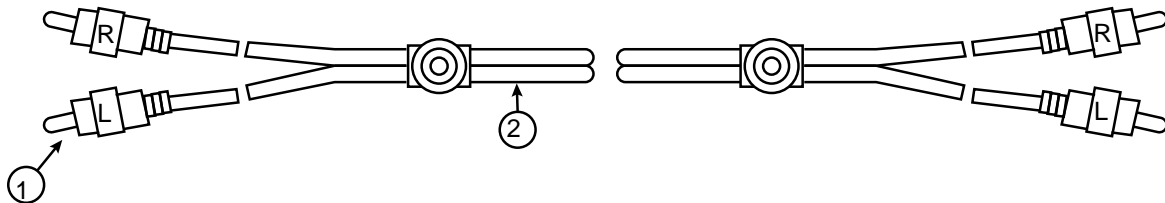
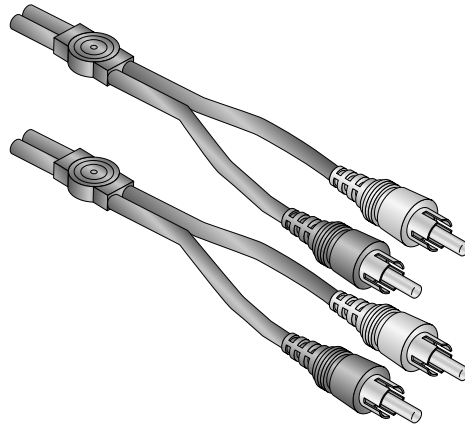
- UL applications: 125 AC max. @ 0.5A
- Dielectric withstanding voltage: 500VAC
- Insulation resistance: 500MΩ
- Termination resistance: 35mΩ (max.) after environmental test

**Mechanical Specifications:**

- Cable-to-plug tensile strength: 20lbs. (min.)
- Durability: 200 mating cycles
- Contact: 6u gold over phosphor bronze
- Plug: polycarbonate (PC)

Mouser Stock No.	Western Ele. Type	Positions/ Contacts	Color
174-9401	623	6P/4C	Clear
154-2011	623	6P/6C	Clear

Your source for quality electronics. Toll-free full service  
**(800) 346-6873**



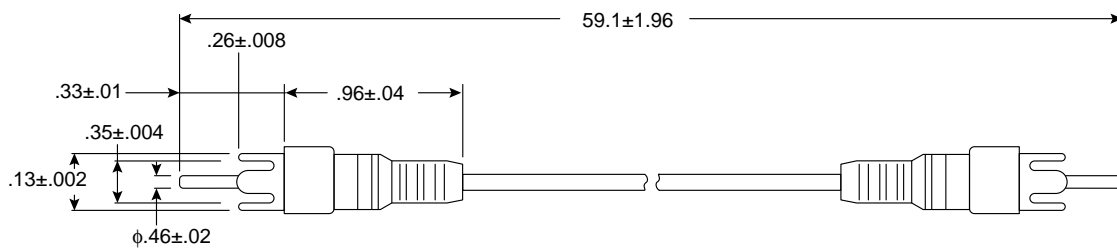
1. RCA plug x 4, gold plated, PVC molded color= red (R) and black (L)
2. 2 flat spiral shielded wire, outjacket=PVC black overall length = 6 ft (72 inches)

Your source for quality electronics. Toll-free full service

**(800) 346-6873**



### Dimensions (In.)



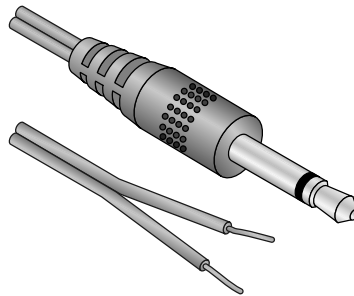
### Specifications:

- Gray cable: 60" with RCA plug @ both ends
- Male to male RCA phono plug
- Conductor: 10/0.12
- PVC OD: 1.0
- Shield: 30/0.12
- PVC overall jacket OD: 3.5
- Capacitance:  $180 \pm 5\%$  pf/M, 1KHz, 25°C
- Resistance:  $0.15 \Omega$ /M

Your source for quality electronics. Toll-free full service

**(800) 346-6873**

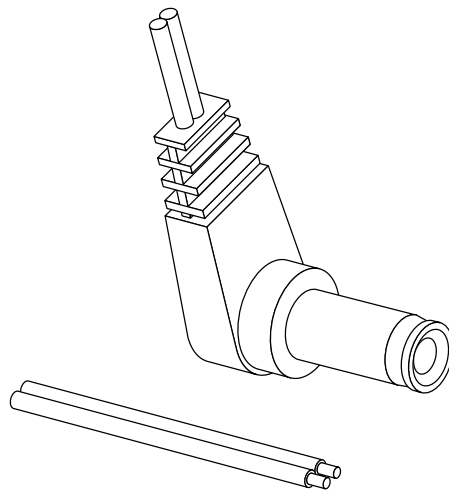
<http://www.mouser.com>

**Specifications:**

- Jacket: gray PVC
- Conductor: .18mm x 7 AWG 243 Wire
- Shield: 21MM x 238 (where applicable)
- Cable OD: 1.6mm x 2

Mouser Stock No.	Lth. (In)	Color	Description
17RC021	72	gray	2.5mm mono plug/stripped & tinned, parallel cord

Your source for quality electronics. Toll-free full service  
**(800) 346-6873**

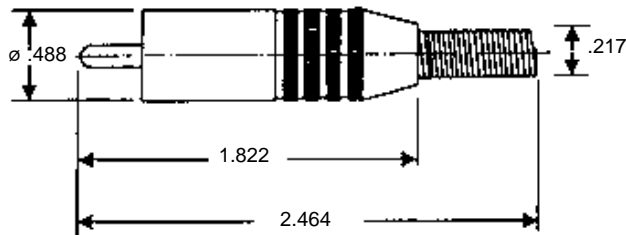
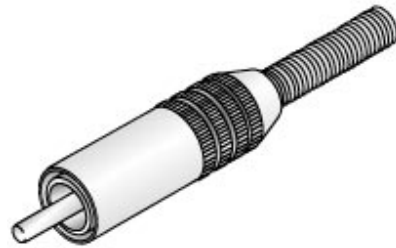
**Specifications:**

- Type: right angle, locking tip plug
- Wire size: 24 AWG
- Cord type: parallel w/stripped pin indicator
- Cable length: 120 inches
- Color: black
- Plug size: I.D.-2.1mm, O.D.-5.5mm, L.-14mm
- Termination: DC power to stripped & tinned
- Current rating: 1 amp (max.)

Your source for quality electronics. Toll-free full services

**(800)346-6873**

<http://www.mouser.com>



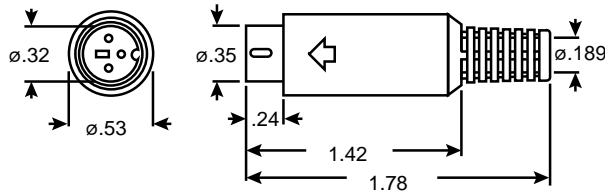
**Specifications:**

- Center contact: Brass, 0.5 micron gold plated
- Ground contact: Brass, 0.5 micron gold plated
- Insulation: PTFE
- Cable clamp: Brass, 0.5 micron gold plated
- Spring: Brass, flash gold plated
- Body: Brass, flash gold plated
- Ratings: 5A at 200VDC / 150VAC max
- Insulation resistance: 100MΩ at 500VDC

Mouser Stock No.	Contact	Cap and Spring	Color Band
174-3200	Gold	Gold flash	None
174-3205	Gold	Gold flash	Red
174-3206	Gold	Gold flash	White

Your source for quality electronics. Toll-free full service  
**(800) 346-6873**

### Dimensions (In.)



Mouser Stock No.	171-2503	171-2504	171-2506	171-2508
Position				
No. of Contacts	3	4	6	8

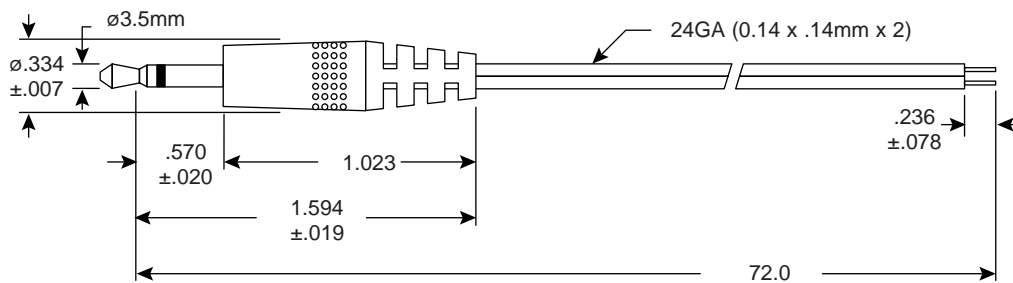
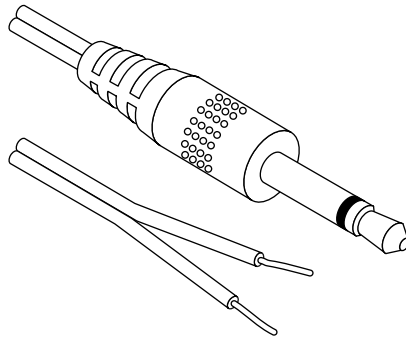
#### Specifications:

- Temperature range: -25°C to +85°C
- Applicable wires: AWG #26 to #30
- Current rating: 1 Amp
- Insulation resistance: 50MSL min.
- Voltage rating: 50VAC/DC
- Withstanding voltage: 500VAC for 1 min.
- Number of circuits: 3-8 positions
- Contacts: lathe pin and press pin
- Struction: straight solder tail

#### Material Specifications:

- Metal shell: brass
- Contact material: plug-brass, receptable-phosphor/bronze
- Contact plating: Pb/Sn , tin or Au/nickel
- Mold-in cover: tinned/brass
- Insulator: PBT or nylon +30% fibre reinforced (UL94V-0)
- Cover: A.B.S.
- Stain relief cap: PVC

Your source for quality electronics. Toll-free full service  
**(800) 346-6873**

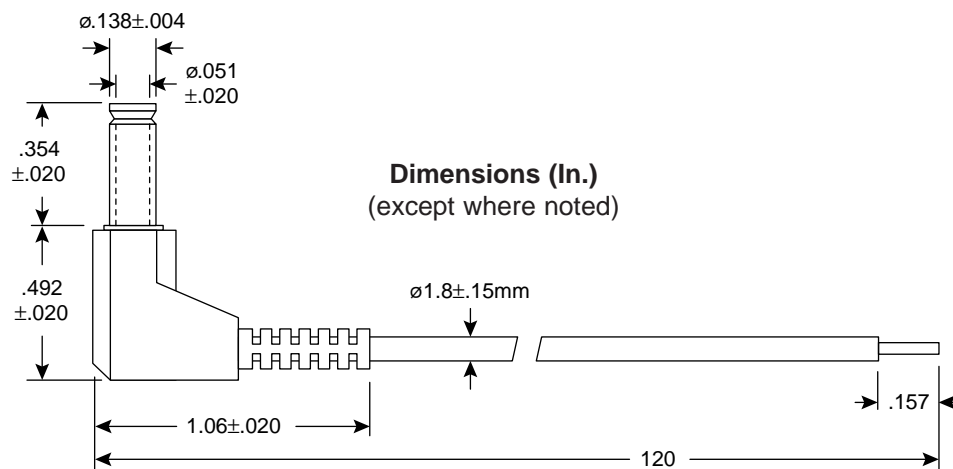
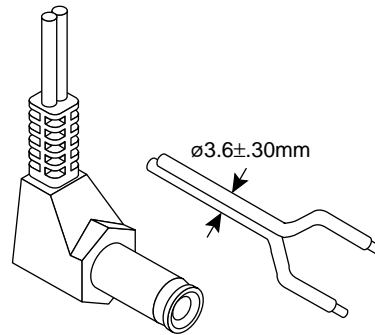


**Dimensions (In.)**  
(except where noted)

**Specifications:**

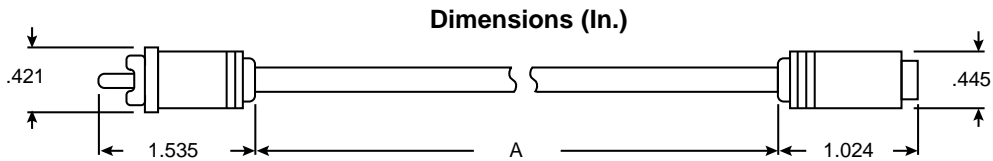
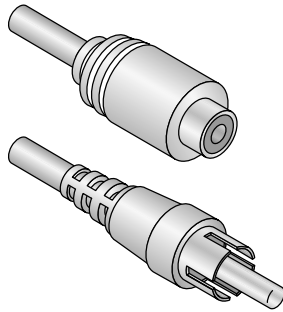
- Cable type: 24AWG parallel
- Termination: 2 conductor phone plug~stripped & tinned
- Color: black





**Specifications:**

- Type: DC 1.3mm right angle, detent "locking plug"/stripped & tinned
- Jacket: black PVC
- Cable: 24AWG; parallel w/stripped pin indicator;  
inner contact (+) = red conductor  
outer contact (-) = white conductor
- Cable material: audio coax PVC
- Voltage rating: 24VDC
- Temperature: 60°C

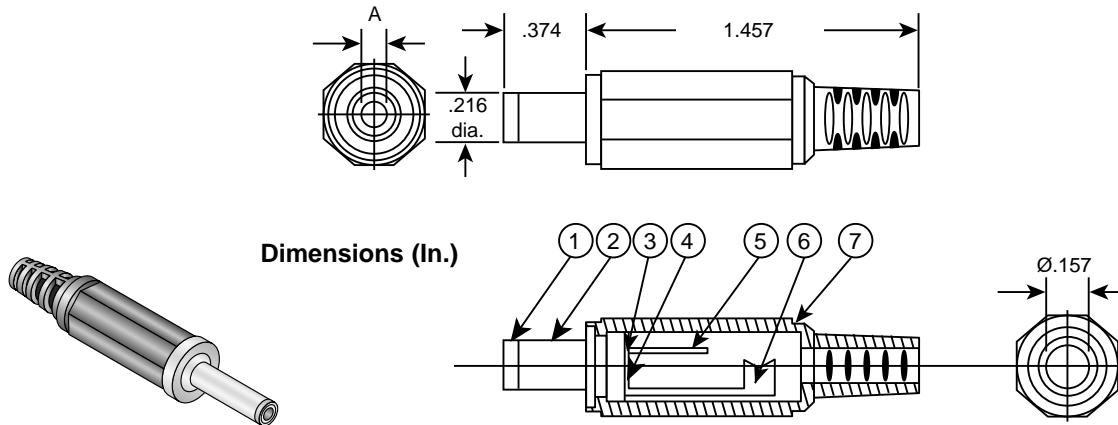


**Specifications:**

- Material: Heat resistant P.V.C.
- O.D.: 1 diameter
- .12 x 10 strands
- Hi-rel RCA plug to RCA jack

Mouser Stock No.	A
17RC002	72"
17RC003	120"

Your source for quality electronics. Toll-free full service  
**(800) 346-6873**



**Electrical Specifications:**

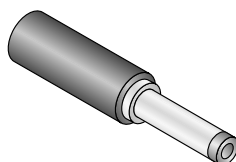
- Dielectric strength: 500VAC for 1 minute
- Insulator resistance: 100MΩ min. @ 500VDC
- Contact resistance: 50mΩ max.
- Rating: .5A @ 12VDC

**Material Specifications:**

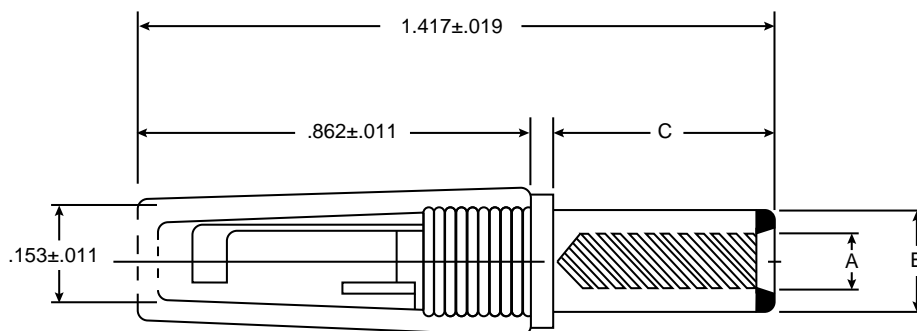
- (1) Insulator: ebonite
- (2) Sleeve: nickel plated brass
- (3) Insulator: phenol
- (4) Contact pin: nickel plated brass
- (5) Contact lug: nickel plated brass
- (6) Sleeve lug: nickel plated brass
- (7) Cap: polyetherene

Mouser Stock No.	A	Barrel Size
171-3217	2.1mm	2.1mm x 5.5mm x .35"
171-0702	2.5mm	2.5mm x 5.5mm x .35"

Your source for quality electronics. Toll-free full service  
**(800) 346-6873**



Dimensions (In.)



**Electrical Specifications:**

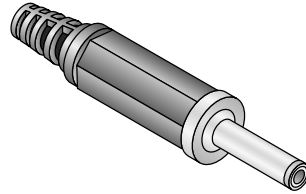
- DC power rating: 12VDC 0.5A
- Withstand voltage: 500VAC/min.
- Insulation resistance: 50MΩ min. @ 500VDC
- Contact resistance: 30mΩ max.

**Material Specifications:**

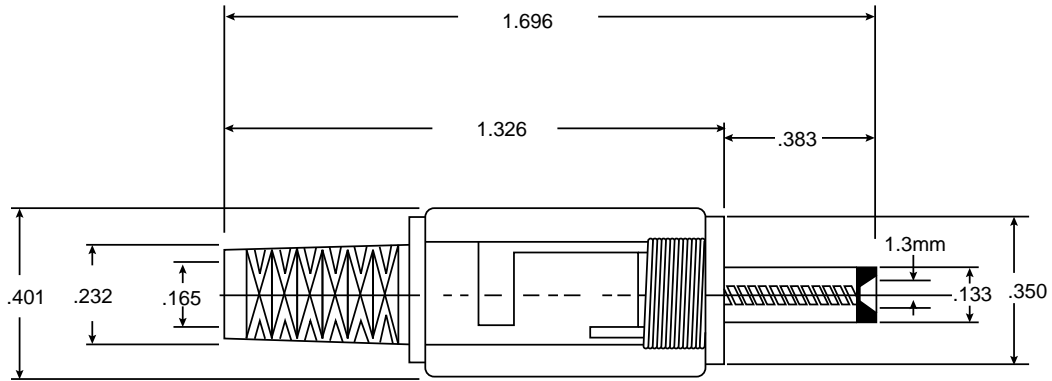
- Handle: polyethylene
- Plug body: nickel plated brass
- Contact: nickel plated brass
- Insulator: PVC

Mouser Stock No.	Description	Dimensions (In.)			
		A	B	C	Housing Color
1710-2111	2.1mm DC Pwr Plug	.082	.216	.551	Black
1710-2122	2.1mm DC Pwr Plug	.082	.216	.551	Gray
1710-2131	2.1mm DC Pwr Plug	.082	.216	.374	Black
1710-2142	2.1mm DC Pwr Plug	.082	.216	.374	Gray
1710-2512	2.5mm DC Pwr Plug	.098	.216	.374	Gray
1710-2521	2.5mm DC Pwr Plug	.098	.216	.374	Black
1710-2531	2.5mm DC Pwr Plug	.098	.216	.551	Black

Your source for quality electronics. Toll-free full service  
**(800) 346-6873**



Dimensions (In.)



**Electrical Specifications:**

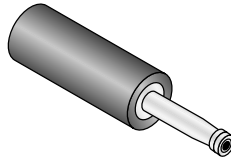
- DC power rating: .5A @ 12VDC
- Withstand voltage: 500VAC / min.
- Insulation resistance: 50MΩ min. @ 500VDC
- Contact resistance: 30mΩ max.
- Dielectric strength: 500VAC for 1 minute

**Material Specifications:**

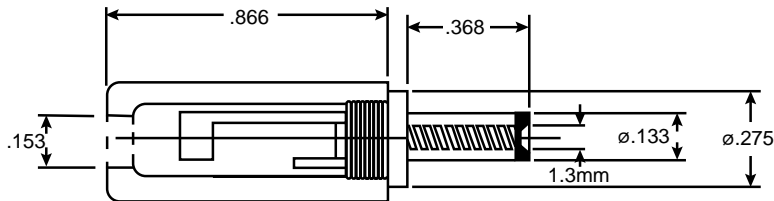
- Handle: polyethylene
- Plug body: nickel plated brass
- Contact: nickel plated brass
- Insulator: PVC

Mouser Stock No.	Description
1710-1321	Barrel .051"x .133"x .383", black

Your source for quality electronics. Toll-free full service  
**(800) 346-6873**



Dimensions (In.)



**Electrical Specifications:**

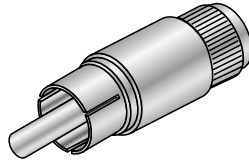
- DC power rating: 12VDC 0.5A
- Withstand voltage: 500VAC / 1 minute
- Insulation resistance: 50M $\Omega$  min. @ 500VDC
- Contact resistance: 30m $\Omega$  max.
- Dielectric strength: 500VAC / 1 minute

**Material Specifications:**

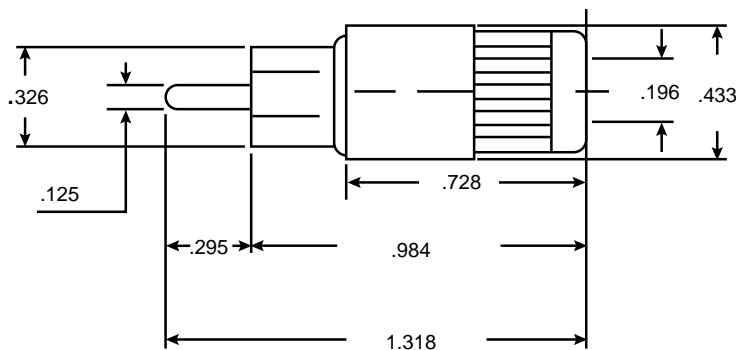
- Handle: polyethylene
- Plug body: nickel plated brass
- Contact: nickel plated brass
- Insulator: PVC
- Thread size: M 6 x 0.5mm

Mouser Stock No.	Description
1710-1311	Barrel .051"x .133"x .368", black

Your source for quality electronics. Toll-free full service  
**(800) 346-6873**



Dimensions (In.)

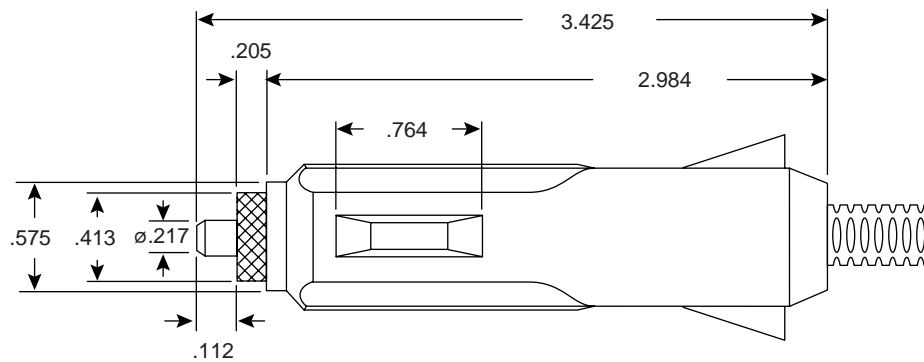
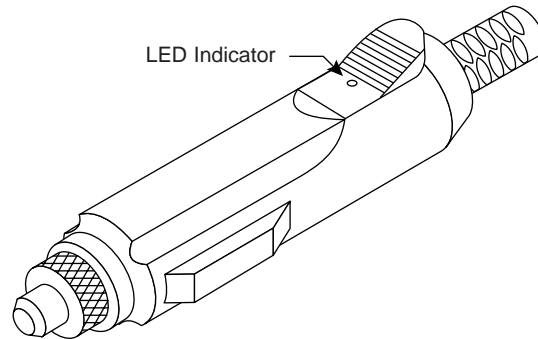


**Specifications:**

- Contact center pin: nickel plated brass
- Ground contact: nickel plated brass
- Handle material: phenolic plastic (black)
- Withstand voltage: 1 minute @ 500VDC
- Plug body: nickel plated brass
- Contact pin: nickel plated brass
- Terminals: nickel plated brass
- Contact resistance: 50mΩ (max)
- Insulation resistance: 100MΩ (min) @ 500VDC

Mouser Stock No.	Description
171-0520	Black plastic barrel with solid center pin

Your source for quality electronics. Toll-free full service  
**(800) 346-6873**



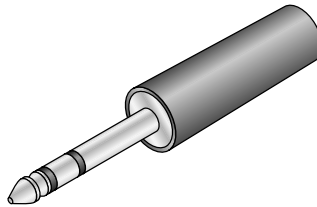
### Dimensions (In.)

#### Specifications:

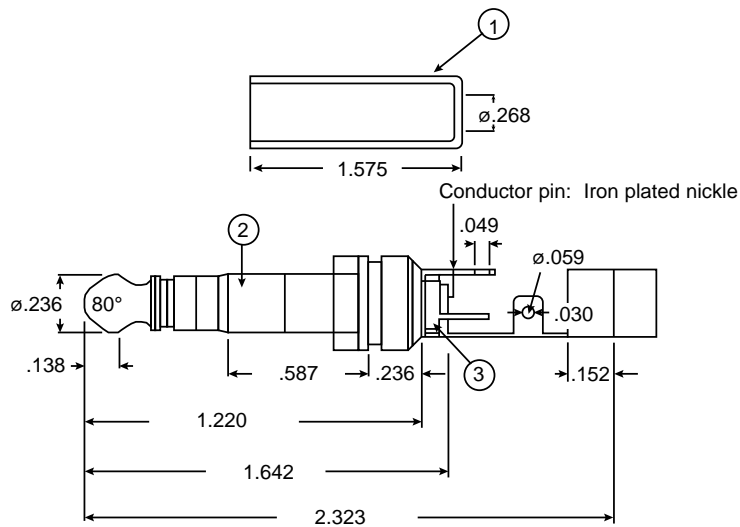
- LED indicator color: green
- LED indicator: 3V @ 20mA
- Voltage rating: 125VAC
- Current rating: 3A
- Temperature rating: 115°C
- Contact material: nickel plated bronze
- Housing material: high heat ABS
- Fuse (included): .25" x 1.25" (3A @ 250V)
- Other: disassembles for easy soldering







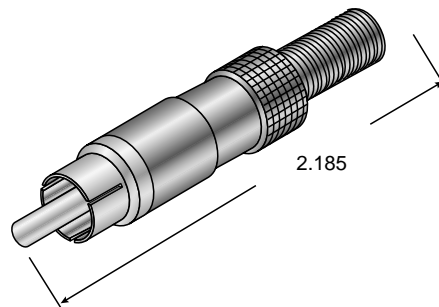
### Dimensions (In.)



### Material:

1. Handle: A.B.S. plastic
2. Plug body: brass plated nickel
3. Insulator: plastic

Your source for quality electronics. Toll-free full service  
**(800) 346-6873**

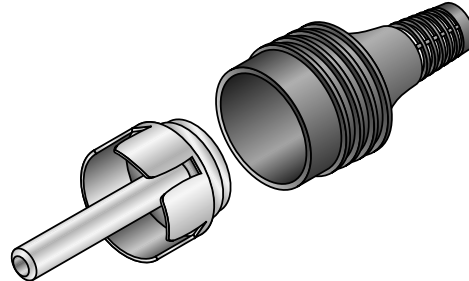
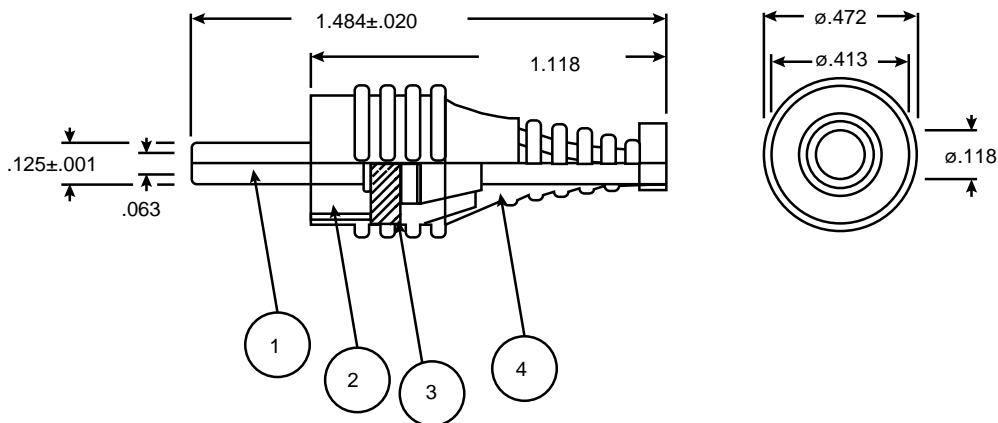


Dimensions (In.)

**Specifications:**

- Max voltage: 150VAC/200VDC
- Max current ratings: -5 amps
- Contact resistance:  $>3\text{m}\Omega$
- Max voltage (flash over test): 1200V
- Temperature rating: max 100°C
- Material contact pin: gold plated hollow brass
- Insulating material: acetal

Your source for quality electronics. Toll-free full service  
**(800) 346-6873**

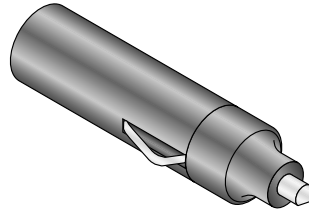
**Dimensions (In.)**

1. Contact A: nickel plated brass
2. Contact B: nickel plated steel
3. Insulator: bakelite
4. Cap: vinyl chloride

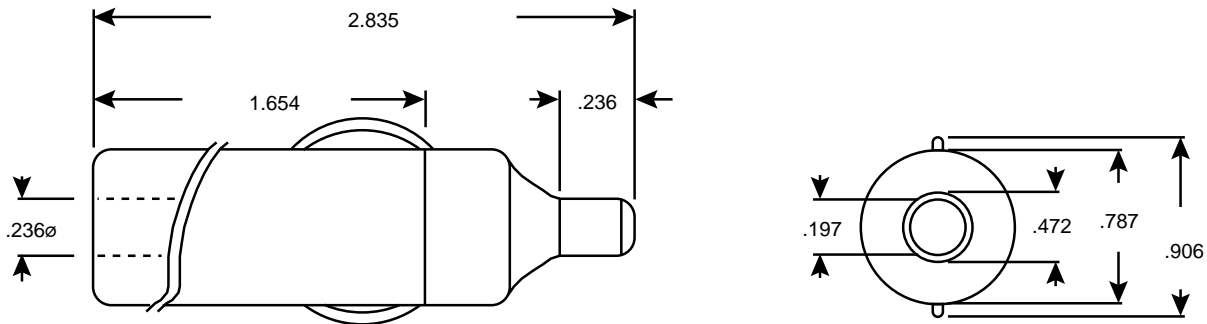
**Electrical Specifications:**

- Contact resistance:  $30\text{m}\Omega$  max.
- Insulation resistance:  $100\text{M}\Omega$  @ 500VDC
- Insulation withstand voltage: 1000VAC for 1 min.

Your source for quality electronics. Toll-free full service  
**(800) 346-6873**



Dimensions (In.)



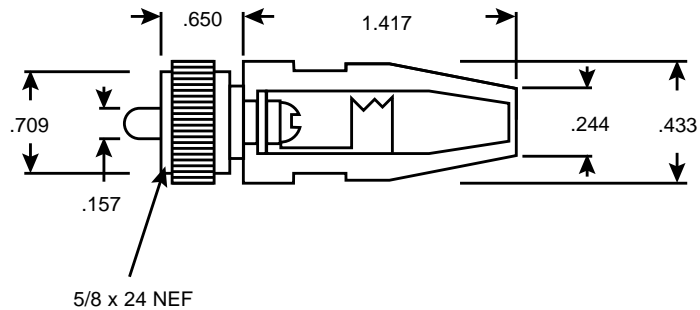
**Specifications:**

- Material used: upper half - bakelite, lower half - ABS
- Metal parts: nickel plated brass
- Current rating: 10 amp (Max)

Your source for quality electronics. Toll-free full service

**(800) 346-6873**

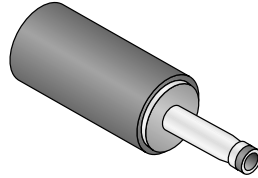
### Dimensions (In.)



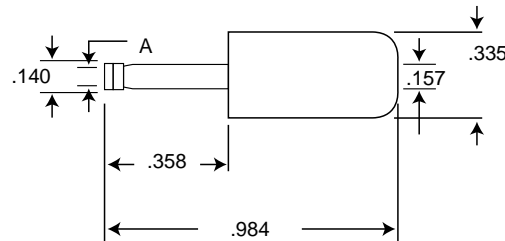
### Material Specifications:

- Body: nickel plated brass
- Insulator: derlin (PA)
- Plastic handle: PVC

Your source for quality electronics. Toll-free full service  
**(800) 346-6873**



Dimensions (In.)

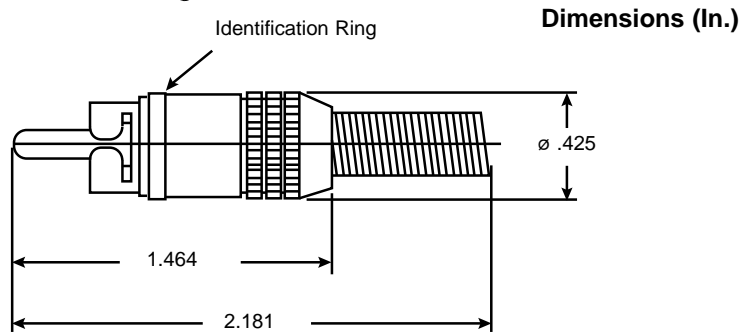
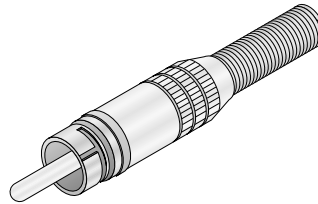


**Specifications:**

- Power rating: 1A @ 12VDC
- Insulation resistance: 100MΩ min. @ 500VDC
- Contact resistance: 50mΩ max.
- Voltage breakdown: 500VAC for 1 minute
- Cap: ABS plastic
- Inner insulator: ebonite
- Top insulator: duracon
- Body: nickel plated brass
- Pin: nickel plated brass

Mouser Stock No.	Dim. A (mm)	Description
171-3230	1.1	Barrel 1.1mm x 3.5mm x 9.1mm
171-3209	1.3	Barrel 1.3mm x 3.5mm x 9.1mm

Your source for quality electronics. Toll-free full service  
**(800) 346-6873**


**Specifications:**

- Maximum cable size: 5.5mm (.216")
- Ratings: 5A at 200Vdc/150 Vac maximum
- Insulation resistance: 100MΩ @ 500Vdc
- Center contact: silver and gold plated brass
- Ground contact: nickel and gold plated brass
- Insulation: noryl SE1
- Cable clamp: silver and gold plated brass
- Spring: nickel and gold plated spring steel
- Cap: nickel and gold plated brass

Mouser Stock No.	Description
174-3300	Nickel plated
174-3301	Nickel plated (black ID ring)
174-3302	Nickel plated (blue ID ring)
174-3305	Nickel plated (red ID ring)
174-3306	Nickel plated (white ID ring)
174-3307	Nickel plated (yellow ID ring)
174-3310	Flash gold plated
174-3311	Flash gold plated (black ID ring)
174-3312	Flash gold plated (blue ID ring)
174-3315	Flash gold plated (red ID ring)
174-3316	Flash gold plated (white ID ring)
174-3317	Flash gold plated (yellow ID ring)
174-3320	Flash gold pin assy/black chrome cap & spring
174-3321	Flash gold pin assy/black chrome cap & spring (black ID ring)
174-3322	Flash gold pin assy/black chrome cap & spring (blue ID ring)
174-3325	Flash gold pin assy/black chrome cap & spring (red ID ring)
174-3326	Flash gold pin assy/black chrome cap & spring (white ID ring)
174-3327	Flash gold pin assy/black chrome cap & spring (yellow ID ring)

Your source for quality electronics. Toll-free full service  
**(800) 346-6873**

174-3330	174-3336	174-3342	174-3350	174-3356
174-3331	174-3337	174-3345	174-3351	174-3357
174-3332	174-3340	174-3346	174-3352	
174-3335	174-3341	174-3347	174-3355	

Phono  
Plugs

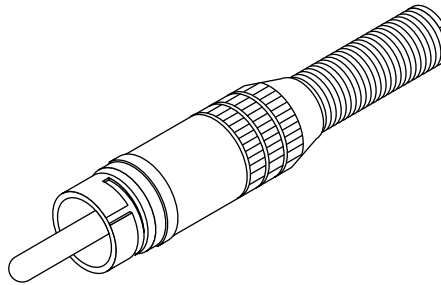
**MOUSER STOCK NO.**

174-3330, 3331, 3332, 3335, 3336, 3337, 3340, 3341, 3342, 3345, 3346, 3347,  
3350, 3351, 3352, 3355, 3356, 3357

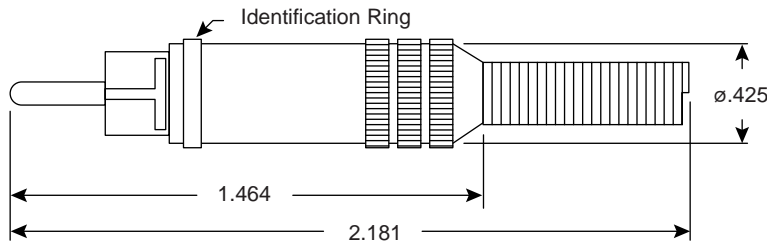
Phono Plugs

**8-** 0417129

**Date:** 3-5-97



**Dimensions (In.)**



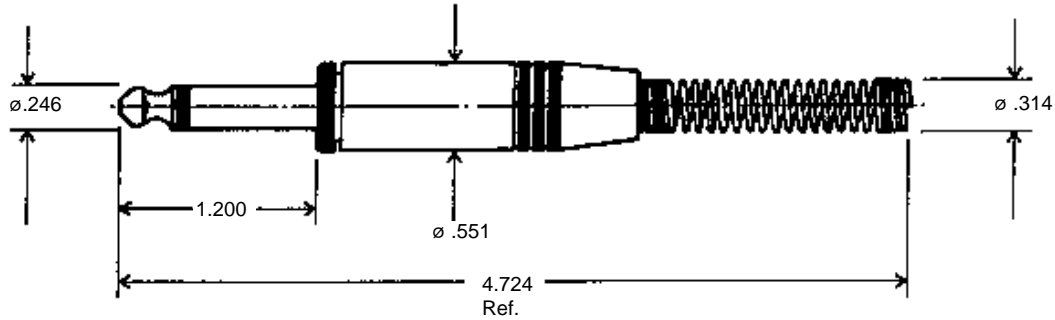
**Specifications:**

- Type: professional RCA; solid pin
- Maximum cable size: 5.5mm (.216")
- Current ratings: 5A @ 200VDC/150VAC max.
- Insulation resistance: 100MΩ @ 500VDC
- Insulation: noryl SE1
- Center contact: silver or gold plated brass
- Ground contact & cable clamp: nickel or gold plated brass
- Cap: nickel or black chrome plated brass

Mouser Stock No.	Body & Spring Plating	ID Ring Color
174-3330 174-3331 174-3332 174-3335 174-3336 174-3337	Nickel	--- Black Blue Red White Yellow
174-3340 174-3341 174-3342 174-3345 174-3346 174-3347	Flash Gold	--- Black Blue Red White Yellow
174-3350 174-3351 174-3352 174-3355 174-3356 174-3357	Black Chrome  Pin Assy = Flash Gold	--- Black Blue Red White Yellow



Dimensions (In.)



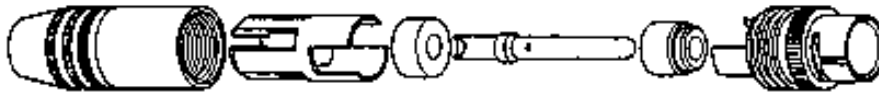
**Specification:**

- Collet: acetal
- Insulation: thermoplastic

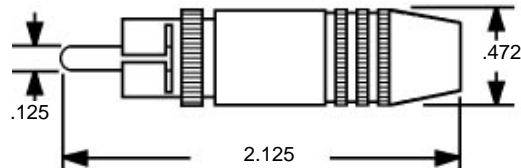
Mouser Stock No.	Plating			Termination
	Contact	Cap	Spring	
174-3180	Nickel	Nickel	Nickel	Screw
174-3220	Nickel	Gold	Gold	Screw
174-3221	Nickel	Black chrome	Black chrome	Screw
174-3230	Nickel	Gold	Gold	Solder
174-3231	Nickel	Black chrome	Black chrome	Solder
174-3260	Nickel	Nickel	Nickel	Solder
174-3190	Nickel	Nickel	Nickel	Screw
174-3240	Nickel	Gold	Gold	Screw
174-3241	Nickel	Black chrome	Black chrome	Screw
174-3250	Nickel	Gold	Gold	Solder
174-3251	Nickel	Black chrome	Black chrome	Solder
174-3270	Nickel	Nickel	Nickel	Solder

Your source for quality electronics. Toll-free full service

**(800) 346-6873**



Dimensions (In.)

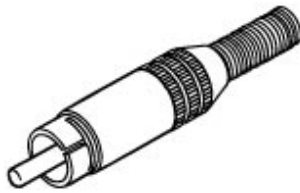


**Specification:**

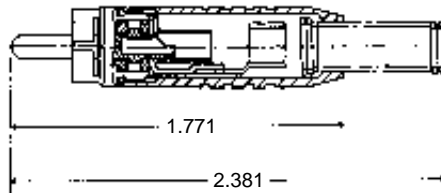
- Center contact: brass, 0,5 $\mu$  gold plate
- Ground contact: brass, 0,5 $\mu$  gold plate
- Insulation: PTFE
- Collet: brass, flash gold plate
- Phono cap: brass, chrome plate
- Ratings: 5A at 200 VDC / 150VAC max.
- Insulation resistance: 100M $\Omega$  at 500VDC
- Maximum cable diameter .275" (7mm)

Mouser Stock No.	Description
174-3455	Black chrome cap / red coding
174-3456	Black chrome cap / white coding

Your source for quality electronics. Toll-free full service  
**(800) 346-6873**



Dimensions (In.)

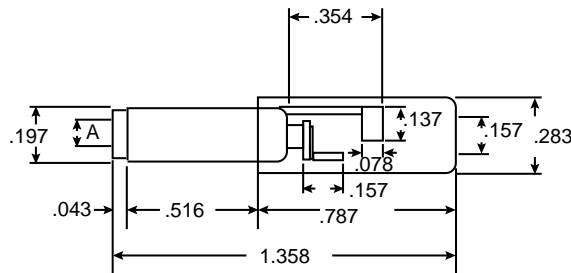
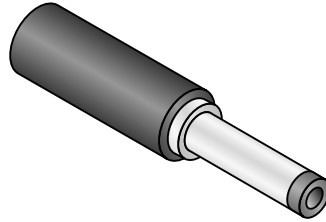


**Specification:**

- Center contact: brass, flash gold plate
- Ground contact: brass, flash gold plate
- Insulation: PTFE
- Cable clamp: brass, flash gold plate
- Spring: brass, black chrome plate
- Body: aluminium, anodised
- Ratings: 5A at 200 VDC / 150VAC max.
- Insulation resistance: 100MΩ at 500VDC
- Maximum cable diameter .216" (5.5mm)

Mouser Stock No.	Description
174-3461	Black anodised cap plug
174-3462	Blue anodised cap plug
174-3465	Red anodised cap plug
174-3467	Yellow anodised cap plug

Your source for quality electronics. Toll-free full service  
**(800) 346-6873**



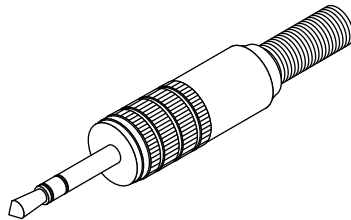
Dimensions (In.)

**Specification:**

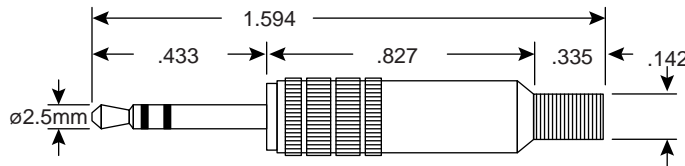
- Body: ABS
- Cable clamp-solder lug (outer contact): nickel plated brass
- Solder lug (inner contact): nickel plated brass
- Insulator: polycarbonate
- Washer: brass
- Outer contact: nickel plated brass
- Black insulator: duracon
- Inner contact: nickel plated brass
- Riveted end
- Contact resistance: 50mΩ (max)
- Insulation resistance: 100MΩ (min) @ 500VDC
- Withstand voltage: 500VAC for minute
- Insulation temperature rating: 135°C

Mouser Stock No.	Color	A
17PP049	Black	2.1mm
171-3214	Gray	2.1mm
17PP109	Black	2.5mm

Your source for quality electronics. Toll-free full service  
**(800) 346-6873**



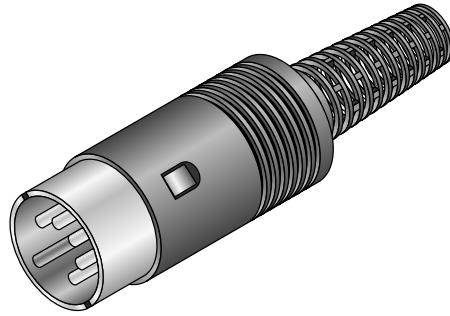
**Dimensions (In.)**  
(except where noted)



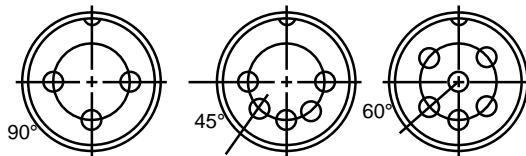
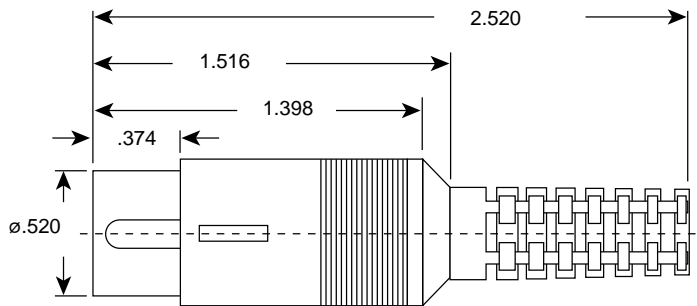
**Specifications:**

- Type: shielded
- Contact resistance: 50mΩ max.
- Insulation resistance: 100MΩ min. @ 500VDC
- Withstand voltage: 500VAC for 1 minute
- Power rating: 12VDC @ .5A
- Temperature rating: 70°C
- Insulator: ABS plastic

Mouser Stock No.	Plating over Brass		
	Body & Terminals	Handle	Spring Strain Relief
171-3306	nickel	nickel	nickel
171-3307	gold	black finish	gold



Dimensions (In.)



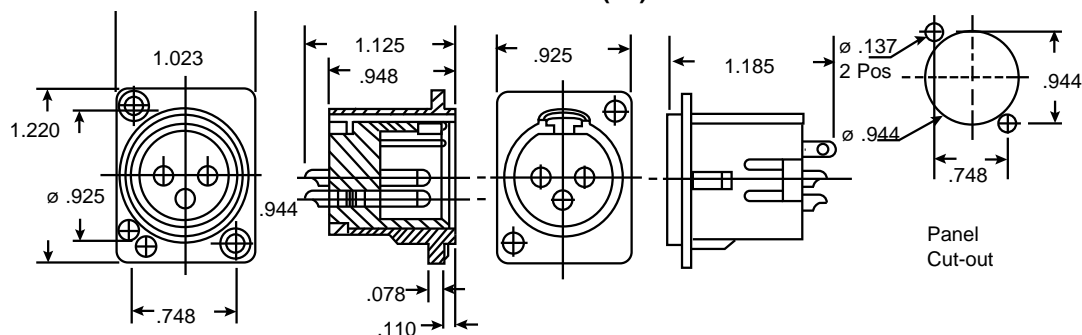
**Specifications:**

- Rating: 12VDC 1A max.; 100VAC 1A
- Insulation resistance: 100MΩ minimum @ 500VDC
- Dielectric strength: 250VAC for 1 minute

1. With pin: nickel plated brass
2. Insulator material: nylon UL94V-O
3. Metal sleeve-upper: nickel plated brass
4. Outer hood: PVC

Mouser Stock No.	Description	Degrees of Arc	Color
171-0013	3 pin with strain relief	180°	Black
171-0015	5 pin with strain relief	180°	Black
171-0016	6 pin with strain relief	240°	Black

Your source for quality electronics. Toll-free full service  
**(800) 346-6873**

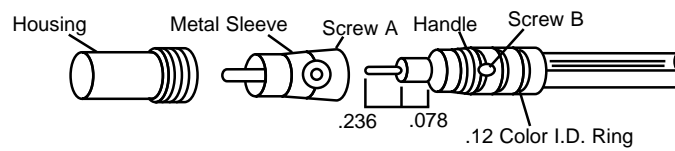
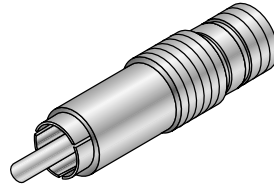
**Dimensions (In.)**


Mouser Stock No.	Silver Contacts		Gold Contacts	
	Nickel	Black	Nickel	Black
3 PIN	174-7173	174-7193	174-72303	174-72503
4 PIN	174-7174	174-7194	174-72304	174-72504
5 PIN	174-7175	174-7195	174-72305	174-72505

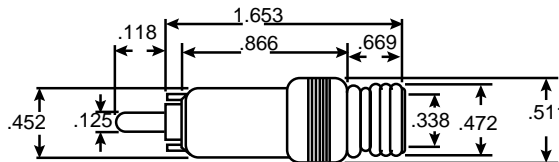
**Specification**

- Housing: zinc high-pressure diecasting Satin Nickel or Black Chrome
- Contact base: valox DR48 UL 94V-0
- Contacts: brass, 3 microns silver anti-tarnish finish or 0.5 microns gold plate
- Earth tag: spring steel, nickel plate 3 microns silver plate
- \* Ident buttons: acetal (UL 94 HB)
- Ident options: yellow, brown, blue, green, red, white, black or clear
- Operating temp:  $-30^{\circ}\text{C}$  to  $+80^{\circ}\text{C}$
- Insertion force:  $\leq 20\text{N}$
- Withdrawal force:  $\leq 10\text{N}$
- Minimum number of insertions: 10,000
- Rated current per contact: 16, 10 or 7.5 amps
- Maximum wire size: 12, 16 or 18 AWG
- Rated voltage: 250 VAC
- Test voltage: 1500 VAC
- Contact resistance:  $\leq 3\text{m}\Omega$
- Insulation resistance:  $> 1\text{G}\Omega$
- \* Sold Separately

Your source for quality electronics. Toll-free full service  
**(800) 346-6873**



**Dimensions (In.)**

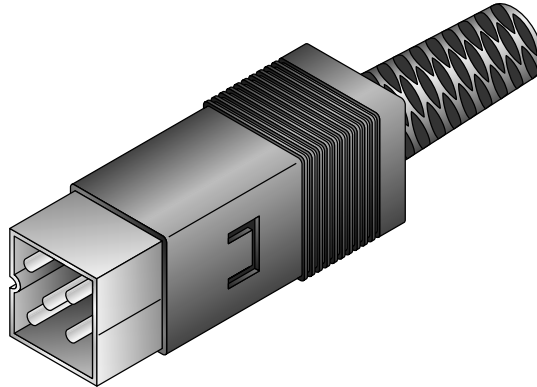
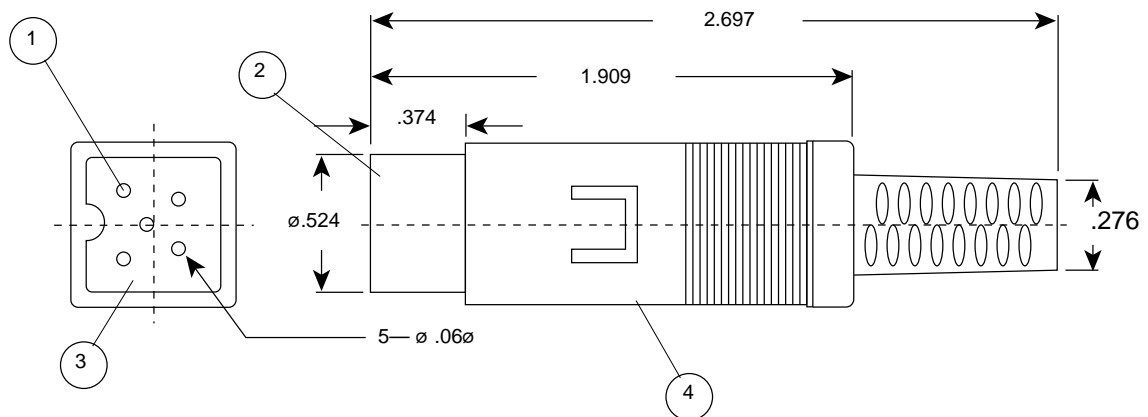


**Specifications:**

- Gold Plating
- Accepts 8mm (.315") OFC cable
- Includes a spacer sleeve for 4.5mm (.177") and 5.5mm (.217") cable
- Three color coded rings included

Your source for quality electronics. Toll-free full service  
**(800) 346-6873**



**Dimensions (In.)****Specifications:**

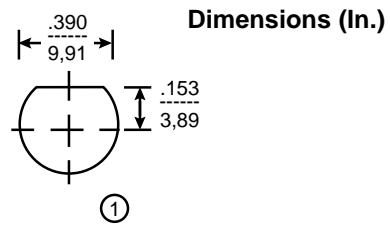
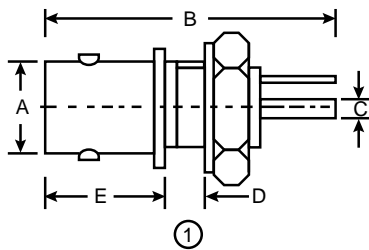
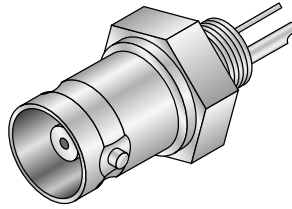
- Rating: 12VDC 1A max., 100VAC 1A
- Insulation resistance: 100M $\Omega$  min @ 500VDC
- Dielectric strength: 250VAC for 1 minute

**Materials:**

1. Contact: tin plated brass
2. Metal sleeve: tin plated brass
3. Insulator material: 30% glass filled nylon, UL94V-O
4. Outer hood: PVC

Your source for quality electronics. Toll-free full service

**(800) 346-6873**



Dimensions (In.)

**Electrical Specifications:**

- Impedance: 50Ω
- Frequency range: 0-4 GHz
- VSWR: 1.3 max 0-4 GHz
- Dielectric withstanding voltage: 1500 volts rms
- RF leakage: -55dB min. @ 2-3 GHz
- Insertion loss: .2dB max @ 3 GHz
- Voltage rating: 500 volts rms
- insulation resistance: 5000MΩ min.
- Contact resistance (mΩ): inner contact -1.5 max  
outer contact - 0.2 max

**Material Specification:**

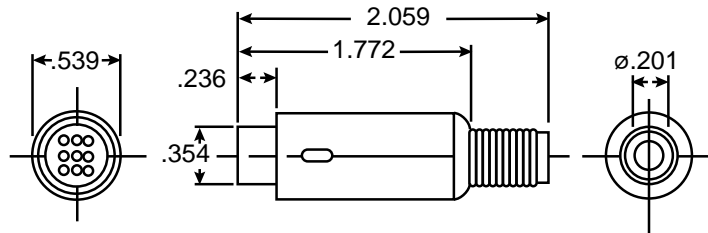
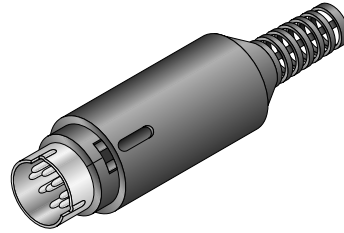
- Body: brass/ zinc alloy (nickel plated)
- Contacts (male): brass (silver plated)  
(female): phosphor bronze (silver plated)
- Insulator: polypropylene
- Gasket: silicone rubber
- Crimp ferrule: annealed copper

**Environmental Specification:**

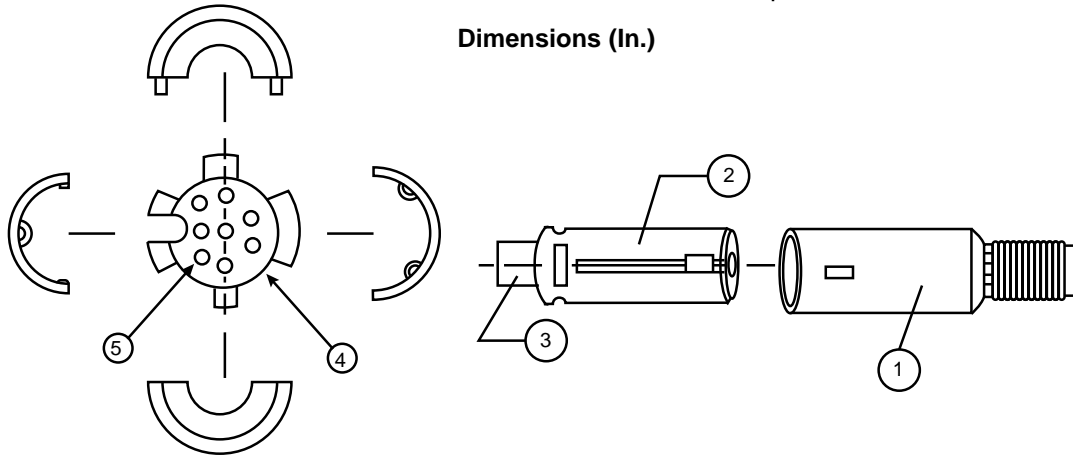
- Moisture resistance: MIL-STD 202 method 106
- Vibration: MIL-STD 202 method 204 (test condition D)
- Shock: MIL-STD 202 method 213 (test condition B)
- Corrosion: MIL-STD 202 method 101 (test condition B)
- Temperature cycling: MIL- STD-202 method 102 D
- Operating temperature: teflon: -55°C to +199°C
- Meets MIL-C-39012 interface requirements

Dimensions (In.)					Features
A	B	C	D	E	
.437	1.18	.082	.200	.460	Front mount w/ Ground wire
11,1	30,0	2,10	5,10	11,7	

Your source for quality electronics. Toll-free full service  
**(800) 346-6873**



Dimensions (In.)



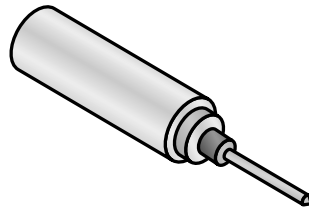
**Specifications:**

1. Cover: PVC
  2. Cover: ABS
  3. Shell: Bronze, with nickel plated
  4. Insulator: PC
  5. Pin: Bronze, with silver plated
- Voltage Rating: 100VAC 1A max
  - Insulation resistance: 50MΩ / 300VDC
  - Dielectric: 500VAC / 1 minute
  - Contact resistance: 30mΩ max

Mouser Stock No.	Contact Position
171-2603	3 pin
171-2604	4 pin
171-2606	6 pin
171-2608	8 pin
171-2609	9 pin

No. Of Contact	3	4	6	8	9
Position					

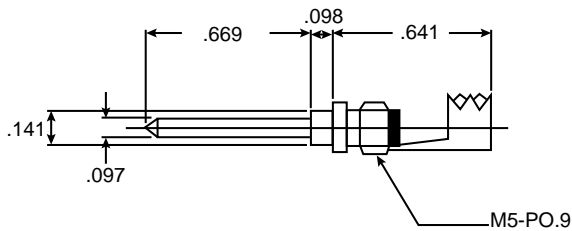
Your source for quality electronics. Toll-free full service  
**(800) 346-6873**



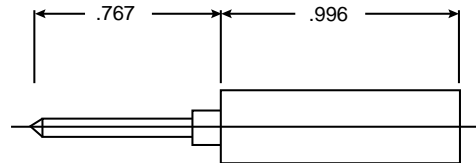
### Dimensions (In.)

#### Body

Material = Brass (nickel plated)

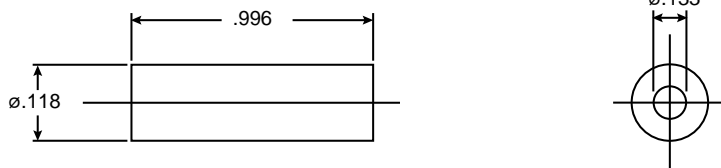


Mouser 171-0111 (Red)  
171-0112 (Black)



#### Handle

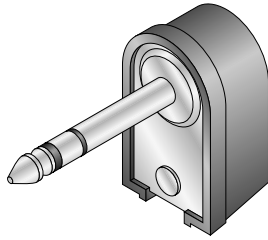
Material: PP (Polypropylene)



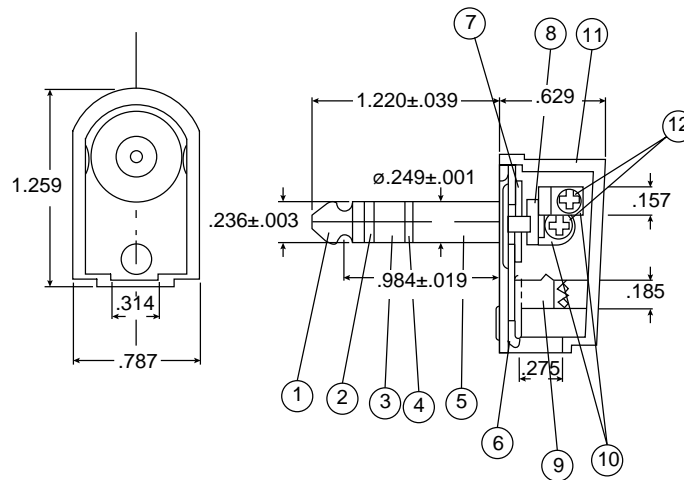
#### Specification:

- Rated power: 125V-5A
- Withstand voltage: 500VAC for 1 minute
- Insulation resistance: min. 50Ω at 500VDC

Your source for quality electronics. Toll-free full service  
**(800) 346-6873**



Dimensions (In.)

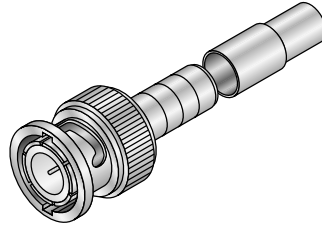


**Specification:**

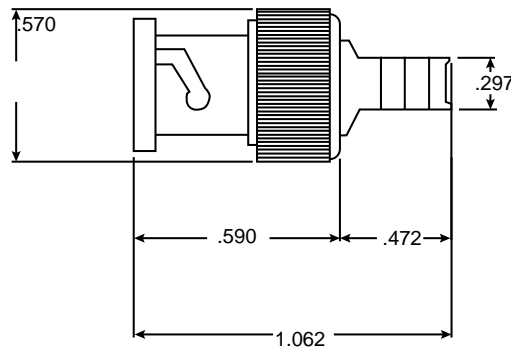
- Breakdown voltage: 500VAC for 1 min
- Insulation resistance: 100M $\Omega$  at 500VDC
- Contact resistance: 50m $\Omega$  max
- Life time: Minimum 10,000 cycles

	Part Name	Material	
1	Contact A	BSBM	Ni-P
2	Insulator A	EBONITE	
3	Contact B	BSBM	Ni-P
4	Insulator B	EBONITE	
5	Contact C	BSBM	Ni-P
6	Frame	ST	Ni-P
7	Insulator C	PF	
8	Insulator D	PF	
9	Terminal A	ST	Ni-P
10	Terminal B	ST	Ni-P
11	Cap	PP	
12	Screw	ST	Ni-P

Your source for quality electronics. Toll-free full service  
**(800) 346-6873**



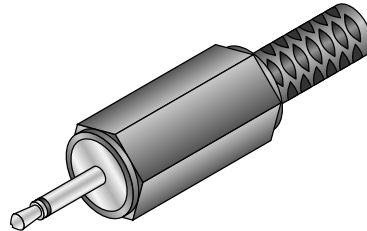
Dimensions (In.)



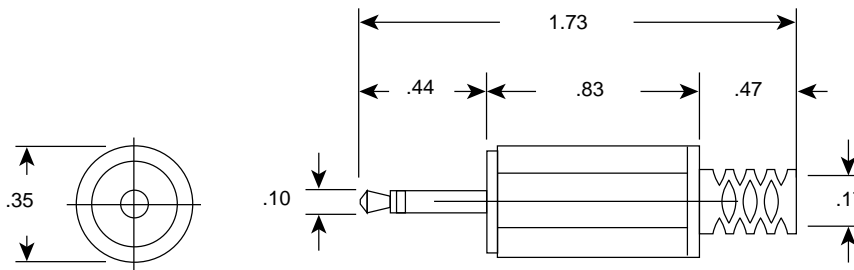
**Specification:**

- Shell: Nickel plated brass
- Crimp sleeve: Nickel plated brass
- Center pin: Crimp type, nickel plated brass
- Insulator: Delrin
- Cable type: RG59

Your source for quality electronics. Toll-free full service  
**(800) 346-6873**



Dimensions (In.)



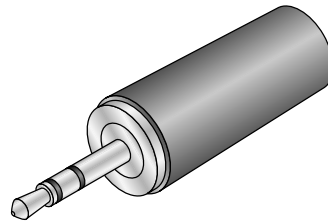
Plug body tolerance:  $\pm 0.2\text{mm}$   
Shell tolerance:  $\pm 0.5\text{mm}$

**Materials Specification:**

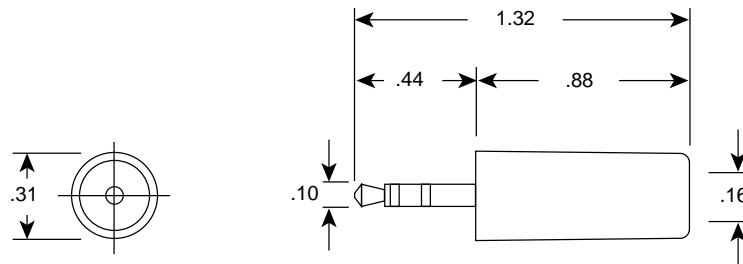
- Body: brass
- Insulation: delrin
- Shell: bakelite

Mouser Stock No.	Description
171-3404	Black plastic handle with strain relief and solder terminals

Your source for quality electronics. Toll-free full service  
**(800) 346-6873**



**Dimensions (In.)**



Plug body tolerance:  $\pm 0.2\text{mm}$   
Shell tolerance:  $\pm 0.5\text{mm}$

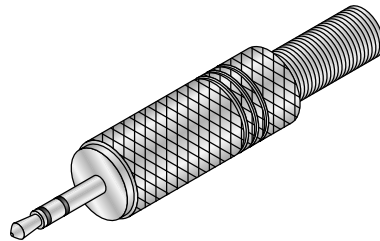
**Material Specifications:**

- Body: brass
- Insulation: delrin
- Shell: bakelite

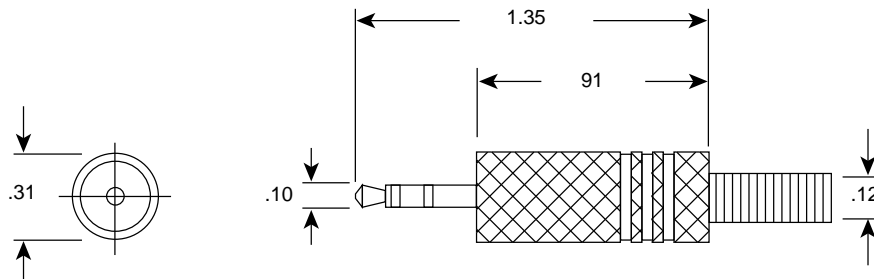
Mouser Stock No.	Description
171-3405	Black plastic handle and solder terminals

Your source for quality electronics. Toll-free full service  
**(800) 346-6873**





**Dimensions (In.)**



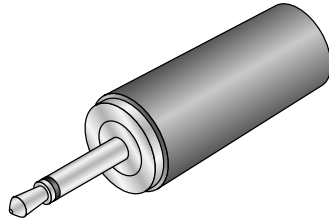
Plug body tolerance:  $\pm 0.2\text{mm}$   
Shell tolerance:  $\pm 0.5\text{mm}$

**Material Specifications:**

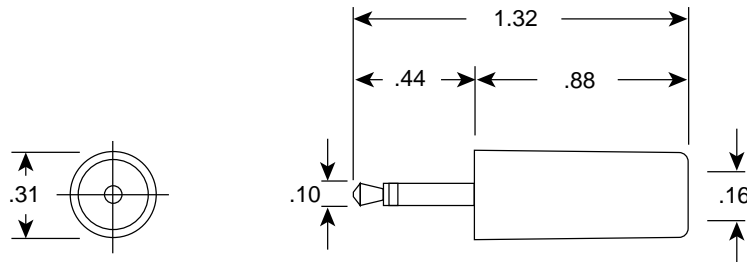
- Body: brass
- Insulation: delrin
- Shell: brass plated nickel

Mouser Stock No.	Description
171-3406	Shielded handle with spring strain relief and solder terminals

Your source for quality electronics. Toll-free full service  
**(800) 346-6873**



**DIMENSIONS (IN.)**



Plug body tolerance:  $\pm 0.2\text{mm}$   
Shell tolerance:  $\pm 0.5\text{mm}$

**Material Specifications:**

- Body: brass
- Insulation: delrin
- Shell: bakelite

MOUSER STOCK NO.	Description
171-3413	Black plastic handle and solder terminals

Your source for quality electronics. Toll-free full service  
**(800) 346-6873**

# MOUSER<sup>®</sup> ELECTRONICS

172-52063    172-52375  
 172-52125    172-52500  
 172-52172    172-52650  
 172-52250    172-52781

Tubular Braid

MOUSER STOCK NO. Tubular Braid 172-52068, 172-52125, 172-52172, 172-52250,  
 172-52375, 172-52500, 172-52650, 172-52781

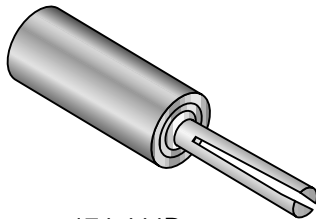


Each strand soft drawn tinned copper wire meets Federal Specifications. QQ-W-343D types and ASTM-B-33. Shield coverage: 95%+ when placed over mandrel of equivalent diameter to that of braid interior.

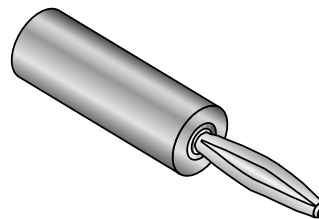
Mouser Stock No.	Nominal Round Width (In.)	Braid Construction			Approx AWG Equiv.	Nominal Circular Mil Area CM	Current Carrying Capacity (Amps)
		AWG of Individ. Ends	Carrier	Total No. of Individual Ends			
172-52063	1/16	36	24	48	19	1200	11
172-52125	1/8	36	24	120	15	3000	25
172-52172	11/64	36	24	168	14	4200	32
172-52250	1/4	36	24	384	10	9600	53
172-52375	3/8	36	48	384	10	9600	53
172-52500	1/2	36	48	528	9	13200	62
172-52650	21/32	30	48	768	1	77180	190
172-52781	25/32	36	48	864	7	21600	88

8- 0417148

Your source for quality electronics. Toll-free full service  
**(800) 346-6873**

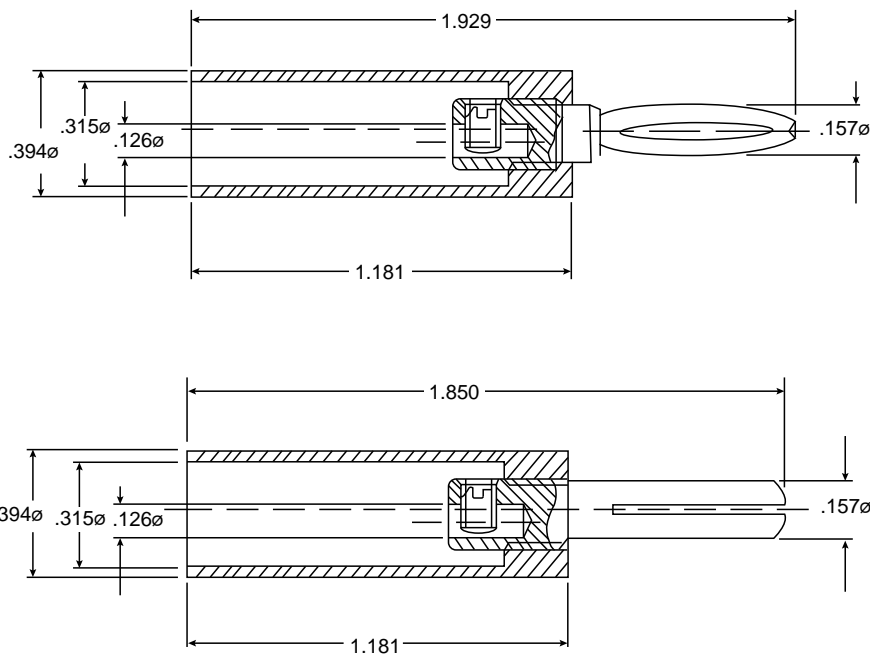


174-444R



174-448R

**Dimensions (In.)**

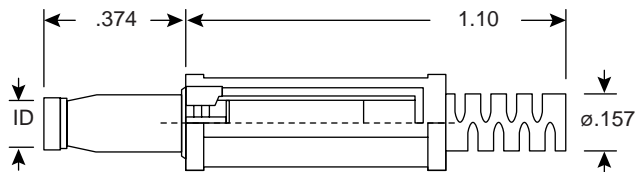
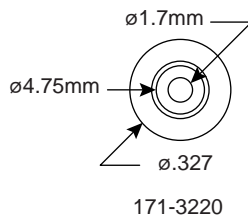
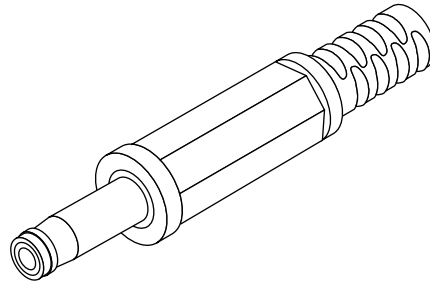
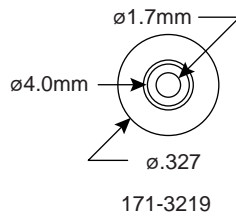


**Material Specifications:**

- Plastic: polyester
- Metal parts: nickel plated brass

Mouser Stock No.	Description
174-444R	Insulated slotted plug, red
174-448R	Insulated, soft spring plug, red

Your source for quality electronics. Toll-free full service  
**(800) 346-6873**

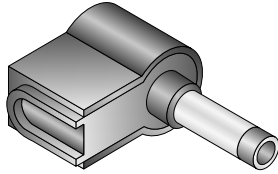


### Dimensions (In.)

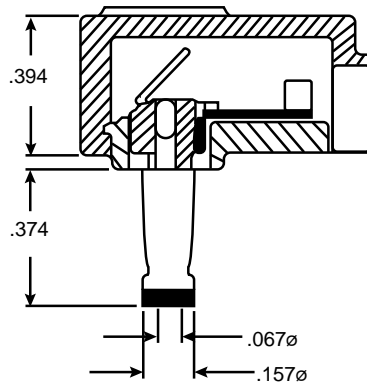
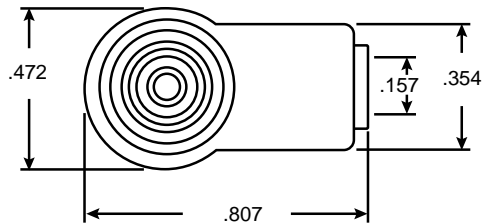
(except where noted)

#### Specifications:

- Color: black
- Cap: PP
- Insulator A: POM
- Insulator B: PC
- Contact & sleeve: nickel plated brass
- Terminals: solder, nickel plated brass
- Insulation resistance: 100M $\Omega$  (min.) @ 500VDC
- Dielectric strength: 500VAC for 1 minute



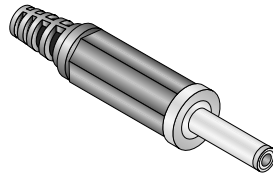
Dimensions (In.)



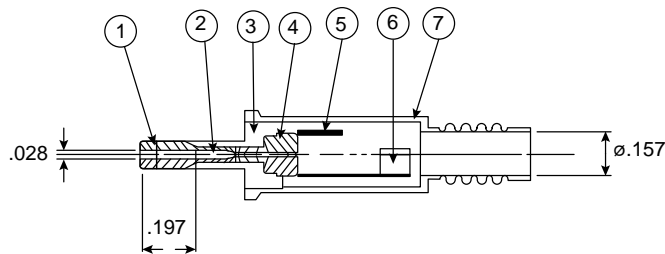
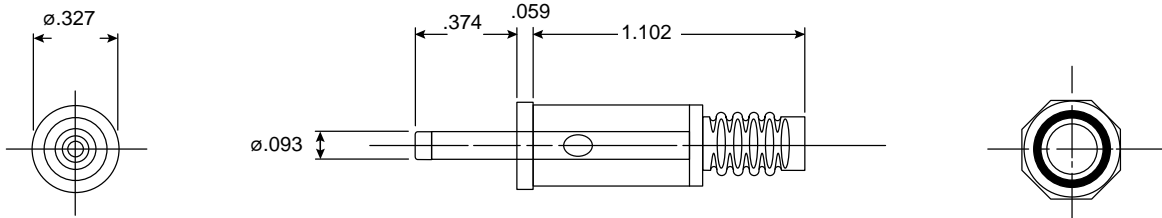
**Specifications:**

- Rated Current: DC 2A @ each voltage section

Your source for quality electronics. Toll-free full service  
**(800) 346-6873**



Dimensions (In.)

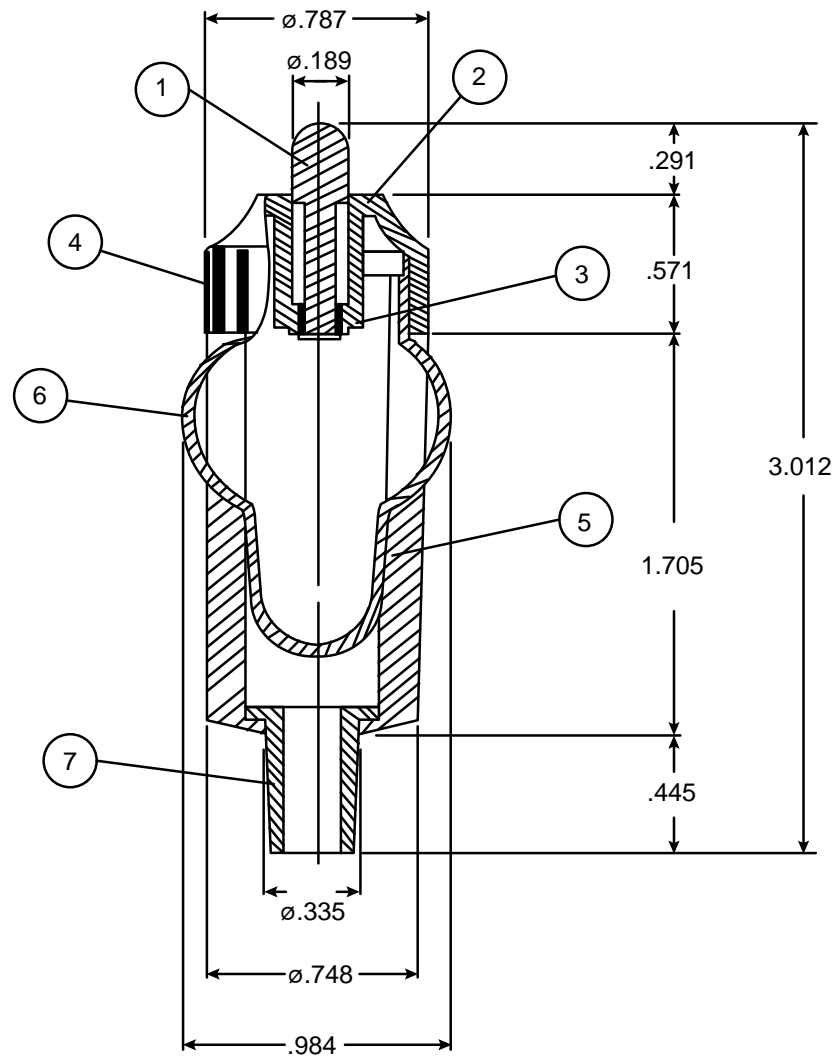


No.	Part Name	Material
1	Insulator A	POM
2	Sleeve metal	Nickel plated brass
3	Center terminal	Nickel plated brass
4	Metal ring	Nickel plated brass
5	Insulator B	POM
6	Terminal	Nickel plated brass
7	Cap	PP

Your source for quality electronics. Toll-free full service

**(800) 346-6873**

### Dimensions (In.)



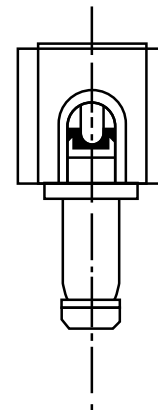
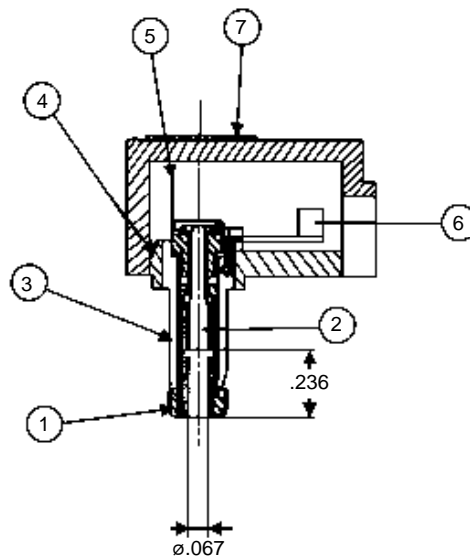
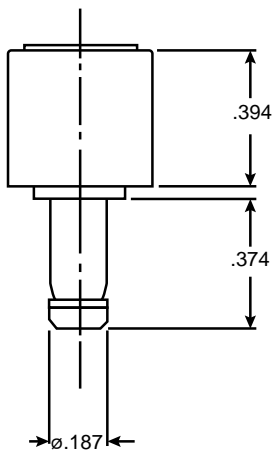
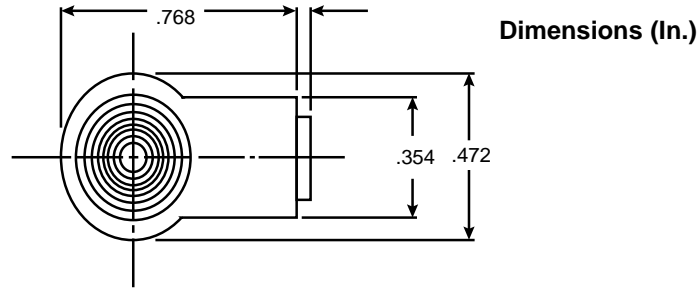
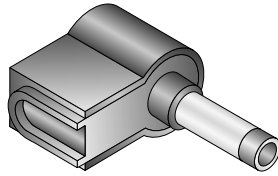
#### Material Specifications:

1. Nickel plated brass
2. Zinc plated piano wire
3. Nickel plated brass
4. Phenolic
5. Phenolic
6. Nickel plated steel
7. P.V.C.

Your source for quality electronics. Toll-free full service

**(800) 346-6873**

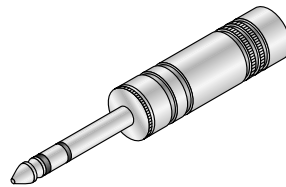




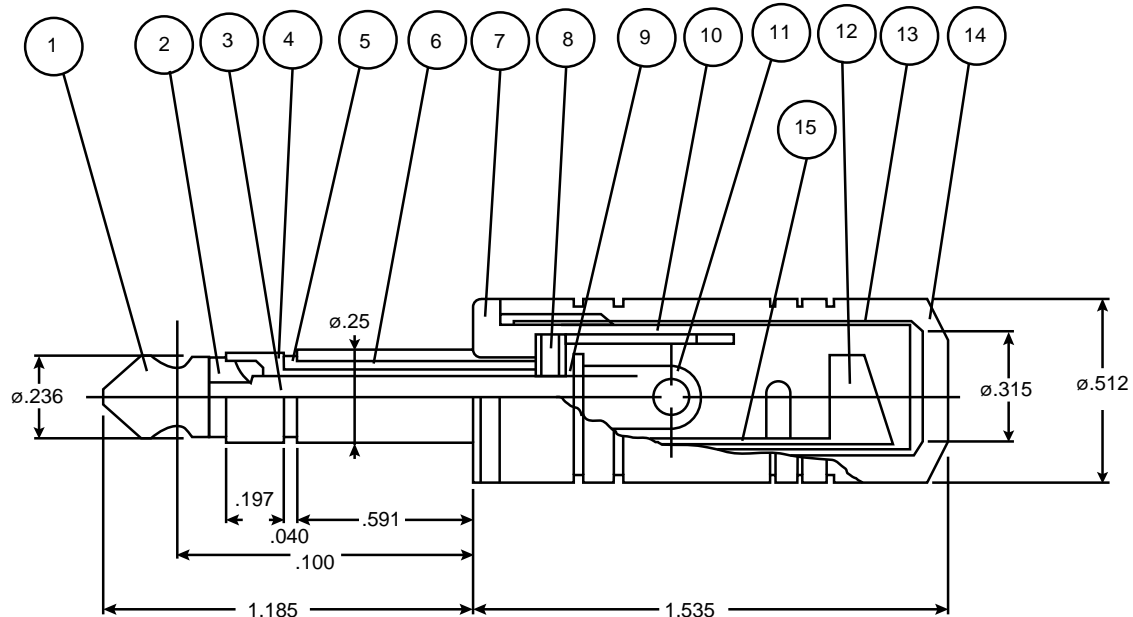
No.	Item	Material
1	Insulator A	Poly Acetal
2	Center terminal	Nickel Plated Brass
3	Sleeve metal	Nickel Plated Brass
4	Insulator B	Polycarbonate
5	Center terminal	Nickel Plated Brass
6	Sleeve Terminal	Nickel Plated Brass
7	Cap	PP

Your source for quality electronics. Toll-free full service

**(800) 346-6873**



Dimensions (In.)



**Specifications:**

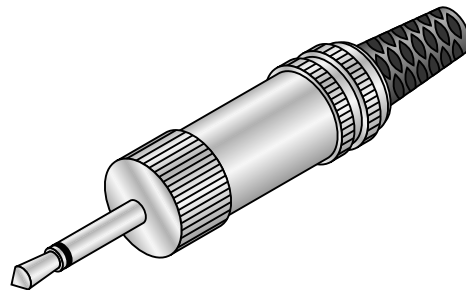
- Contact resistance: 50mΩ
- Insulation resistance: 100MΩ min. @ 500VDC
- Withstand voltage: 500VAC for 1 minute

1. Tip-brass
2. Insulator (ebonite)
3. Plug core
4. Sleeve-nickel plated brass
5. Insulator (ebonite)
6. Insulator (tube)
7. Plug base-nickel plated brass
8. do
9. Insulator-phenol
10. Tip terminal-do
11. Sleeve terminal-nickel plated brass
12. Ground terminal-nickel plated brass
13. Insulator
14. Handle-nickel plated brass
15. Insulator-fiber

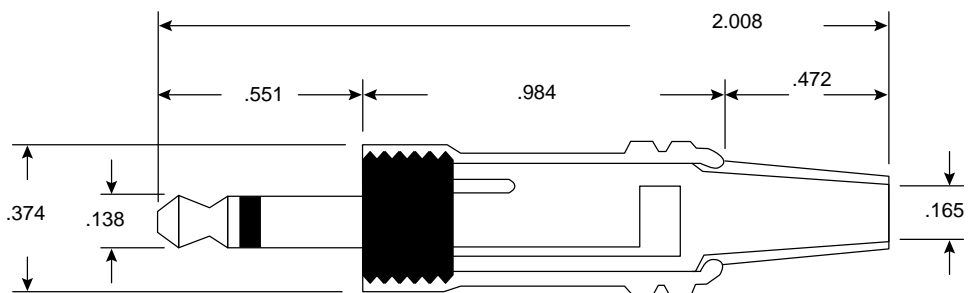
Your source for quality electronics. Toll-free full service

**(800) 346-6873**

<http://www.mouser.com>



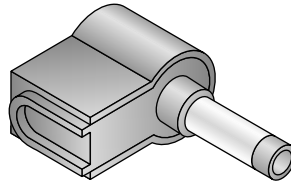
### Dimensions (In.)



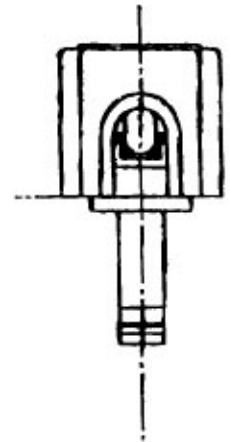
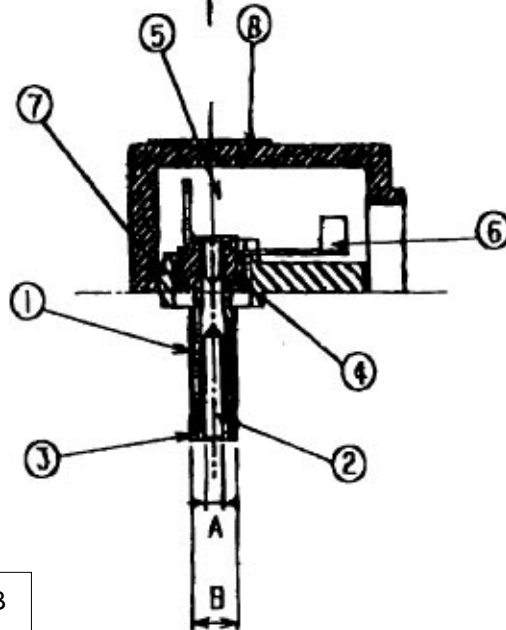
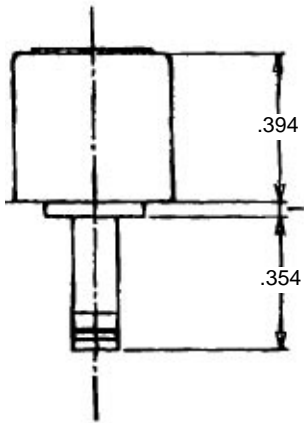
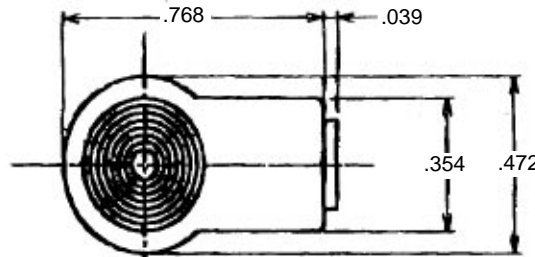
Your source for quality electronics. Toll-free full service

**(800) 346-6873**

<http://www.mouser.com>



Dimensions (In.)



Mouser Stock No.	A	B
171-3223	ø1.1	ø3
171-3224	ø1.3	ø3.4

**Specifications:**

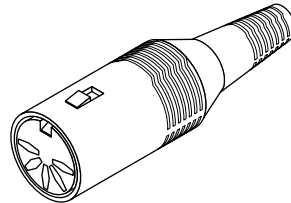
- Dielectric strength: 500VAC for 1 minute
- Insulation resistance: 100MΩ min. @ 500VDC
- Contact resistance: 50mΩ max.

Pin	Part Name	Material	Finish
1	Sleeve	BSBM	NI
2	Contact	BSBM	NI
3	Insulator, A	Ebonite	
4	Insulator, B	PC	
5	Terminal, A	BSR	NI
6	Terminal, B	BSR	NI
7	Insulator, C	PA	
8	Cap	PVC	

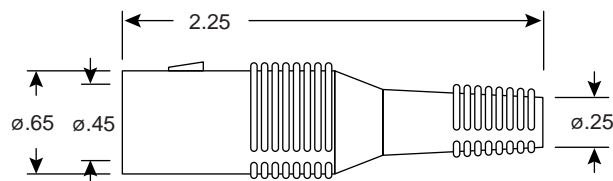
Your source for quality electronics. Toll-free full service

**(800) 346-6873**

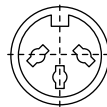
<http://www.mouser.com>



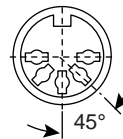
### Dimensions (In.)



3 Pin, 17HR813

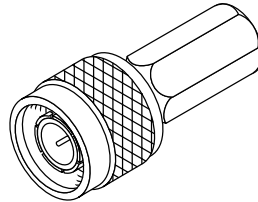


5 Pin, 17HR815

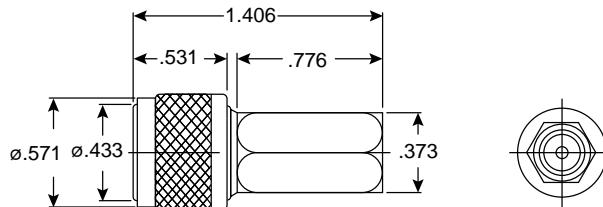


### Specifications:

- Working voltage: 100VDC or AC peak
- Test voltage: 1000VDC
- Current rating: 4A
- Insulation resistance:  $10^{11}\Omega$  min. @ 100VDC
- Contact resistance:  $10m\Omega$  max.
- Capacity (mated): 3pF
- Temperature range:  $-25^{\circ}\text{C} \sim +70^{\circ}\text{C}$
- Housing: gray, flexible PVC molding
- Pin base moldings: glass filled nylon / noryl
- Contacts: silver plated brass
- Cable clamps: plated mild steel
- Type: 3 way
- Degrees of arc:  $180^{\circ}$



Dimensions (In.)



**Material Specifications:**

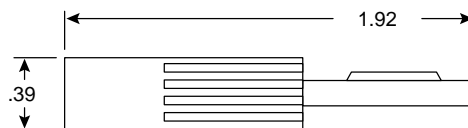
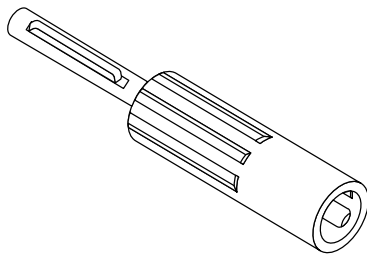
- Body: nickel plated brass
- Center pin: nickel plated brass
- Insulator: delrin

Your source for quality electronics. Toll-free full service

**(800) 346-6873**

<http://www.mouser.com>

These high reliability banana plugs fit all standard banana jacks and are interchangeable with all standard banana plugs.



Dimensions (In.)

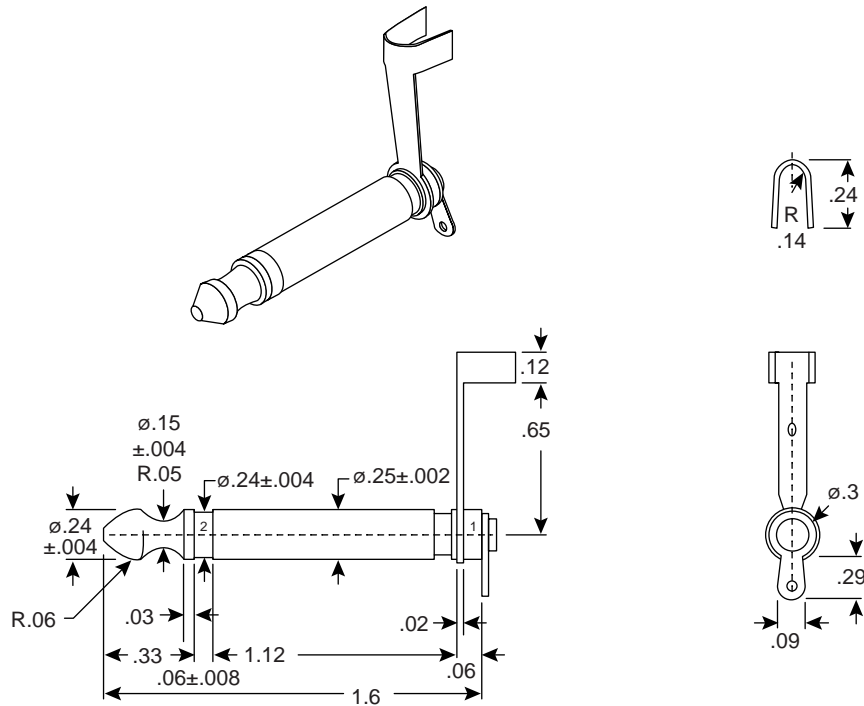
**Specifications:**

- Type: 4mm nickel plated, solder bucket connection
- Conductors: accepts up to 5.5mm in diameter
- Insulation cover: accepts up to 7.1mm cable diameter
- Contact spring: stainless steel
- Rated: 10A
- Color: 174-5791 (black), 174-5795 (red)

Your source for quality electronics. Toll-free full service

**(800) 346-6873**

<http://www.mouser.com>



Dimensions (In.)

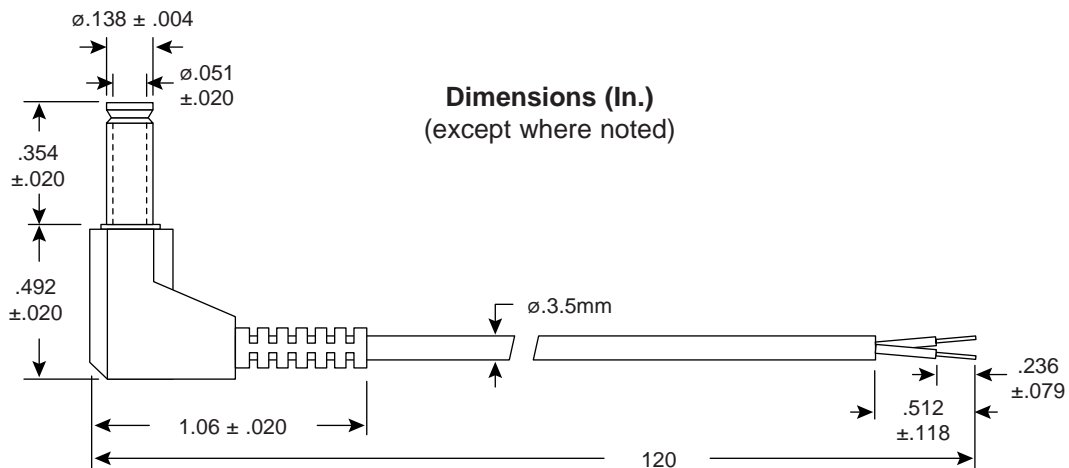
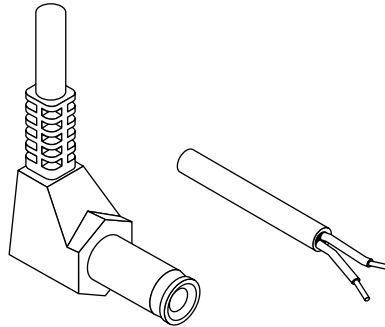
**Specifications:**

- Type: 1/4" mono, high rel. 2 conductor
- Body: custom molding
- Solder terminal: brass
- Tube: polyetherene
- Insulator 1: fiber
- Insulator 2: ebonite

**Application Note:**

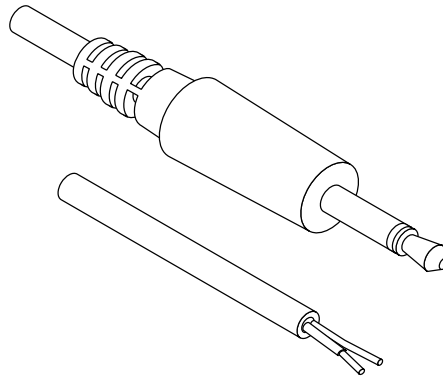
Electrical conductivity of this plug could be effected if the molding process is not precisely controlled and engineered correctly. Factors such as temperature, pressure, and material used in the molding process can have an effect on the item being molded. Mouser has no control over these factors or the molding process and does not know enough about the various molding processes to recommend one for use. The user must determine the suitability of this product for his/her molding process.



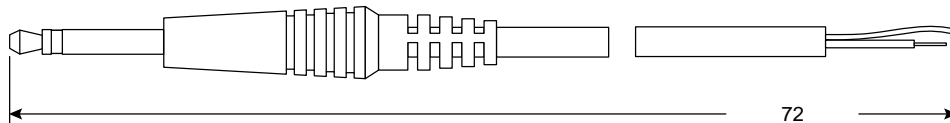


**Specifications:**

- Type: DC 1.3mm right angle, detent "locking plug"/stripped & tinned
- Jacket: black PVC
- Cable: (14/0.14x2C)x1C; inner contact (+) = red conductor, outer contact (-) = white conductor
- Voltage rating: 24VDC
- Temperature: 60°C



### Dimensions (In.)



### Specifications:

- Color: Gray
- Type: 2.5mm mono plug
- Conductor: 0.18mmx7 conductors
- Insulator for conductors: PVC 1mm dia.
- Braided shield wire: 0.12Ax32
- Jumper: PVC 4mm dia.
- Temperature: 80°C max
- Termination: stripped and tinned

Your source for quality electronics. Toll-free full services

## (800)346-6873

<http://www.mouser.com>